



VERBINDUNGS-TECHNIKEN-RÜTHER

www.VTR-Ruether.de

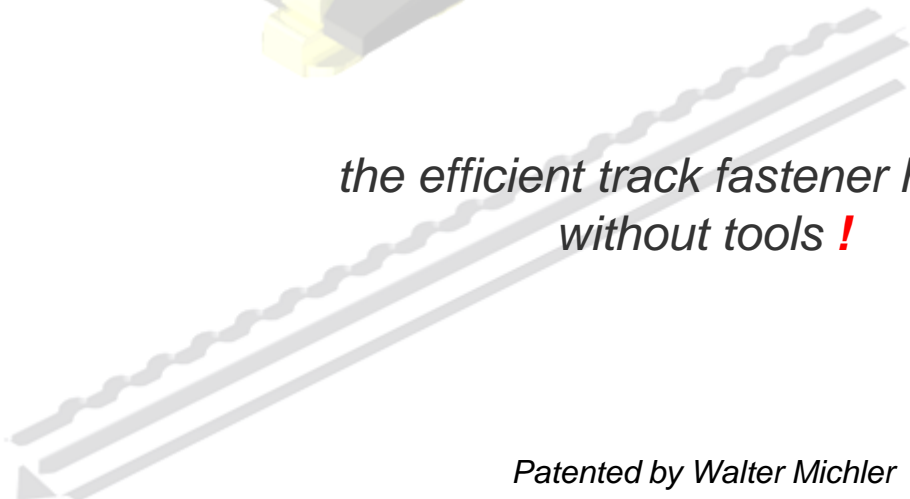
presents

QCTL®

Quick **C**hange **T**rack **L**ock



*the efficient track fastener handled
without tools !*



*Patented by Walter Michler
(Aviation Nautic Michler)*

20/07/23



Content

- ***For which tracks*** **3-3**
- ***Overview Track Line Orientation*** **4-11**
- ***Parallel Parts*** **12-18**
- ***Doghouse Systems*** **19-21**
- ***Cross Parts*** **22-30**
- ***Flexible Parts*** **31-34**
- ***Flat Panel Parts*** **35-58**
- ***Seat Systems*** **59-61**
- ***Wall Divider Systems*** **62-63**
- ***Hole Application*** **64-65**
- ***Exampels and References*** **66-71**
- ***Contact*** **71**

Suitability of QCTL for which tracks

All types of QCTL in this catalog are designed for tracks according the standards MS33601 or AS33601.

If other rail dimensions and loads are desired or required, please contact us to clarify variations (info@vtr-ruether.de)

Seat and Cargo Tracks

Seat Track conforms to AS33601 or ISO 7166

Ultimate load: vertical 26.67 kN/6000 lbf with Single Stud fitting, 44.45 kN/10000 lbf with double stud fitting*

Seat and Cargo Track

AS 33601 specification



Standard AS33601 (excerpt)

Widely used in the aerospace industry to assure compliance between track and fitting. allsafe fittings are all designed to fit in tracks conforming with AS33601, but may not comply in every dimension with this standard.

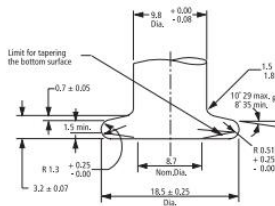
Heavy Duty seat and cargo tracks from allsafe comply with the AS33601.

Due to geometrical constraints other tracks may have smaller inner dimensions.

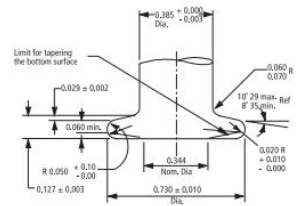
Please consult us for compliance with fittings when using other tracks than Heavy Duty sections.

for stud

in mm

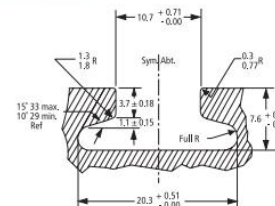


in inch

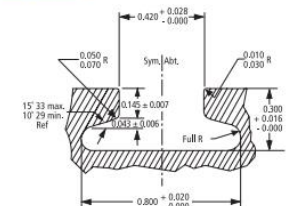


for track

in mm



in inch



Form approved
OMB No. 0704-0188

SECTION A-A
SYMMETRICAL ABOUT C,
SCALE 5 TIMES FULL SIZE

STUD

THE BASIC DESIGN FOR THE STUD BOTTOM IS SHOWN WITH SOLID LINES. THE PHANTOM LINES SHOW THE LIMIT FOR TAPERING THE BOTTOM SURFACE.

NOTES:

- THIS SPECIFICATION SHEET DEPICTS THE CONFIGURATIONS AND DIMENSIONS OF TRACKS AND STUDS FOR SEAT ATTACHMENTS FOR SEATS AND OTHER EQUIPMENT IN CARGO TRANSPORT AIRCRAFT.
- CERTAIN PROVISIONS OF THIS SPECIFICATION SHEET ARE THE SUBJECT OF INTERNATIONAL STANDARDIZATION AGREEMENT. WHEN AMENDMENT, REVISION, OR CANCELLATION OF THIS SPECIFICATION SHEET IS PROPOSED THAT WILL MODIFY THE INTERNATIONAL AGREEMENT CONCERNED, THE PREPARING ACTIVITY WILL TAKE APPROPRIATE ACTION THROUGH INTERNATIONAL STANDARDIZATION CHANNELS, INCLUDING DEPARTMENTAL STANDARDIZATION OFFICES, TO CHANGE THE AGREEMENT OR MAKE OTHER APPROPRIATE ACCOMMODATIONS.
- DIMENSIONS ARE IN INCHES.

DESIGN STANDARD

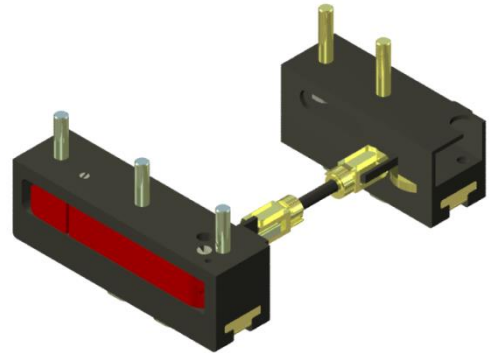
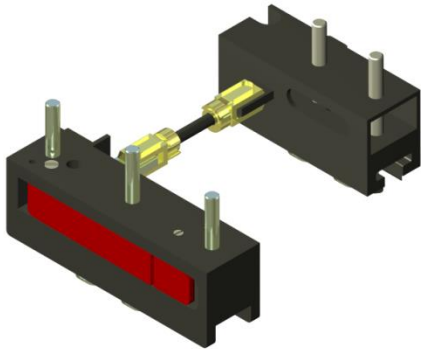
PREPARING ACTIVITY: NAVY-AS	MILITARY SPECIFICATION SHEET	SPECIFICATION SHEET NUMBER REV B
CUSTOMERS: ARMY-AV NAVY-AS	TITLE TRACK AND STUD FITTING	MS33601 31 JULY 1991
AIR FORCE-99 DLA-	FOR CARGO TRANSPORT AIRCRAFT,	REV A 1 DEC 1965
REVIEW: AF-11	STANDARD DIMENSIONS FOR,	SUPERSEDED: MS33601 (ASG)
USER:		AMSC- N/A
PROJECT NUMBER: 1560- 0189		rsc 1560

DISTRIBUTION STATEMENT A. Approved for public release; distribution is unlimited.

Page 1 of 1

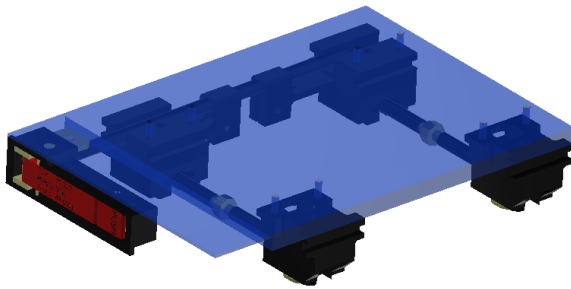
Track Line Orientation

Doghouse Systems



Typ: 1PHB-105-501/502/505/506

Page: 19



Typ: IN-252

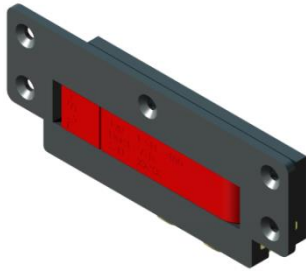
Page: 20

General description:

- latch actuating, safety lock
- Recognizable by open lever off stand from housing at unlock position
- Using standard tracks as medium, heavy duty or single cargo fittings
- no shifting at installation
- incorporated anti rattle

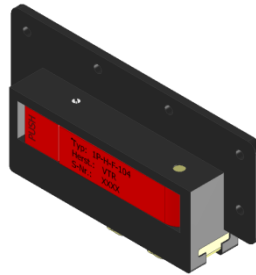
Track Line Orientation

Parallel Parts



Typ: 1-P-H-F-105

Page: 14



Typ: 1-P-H-F-104

Page: 13



Typ: 1-P-H-F-103

Page: 12



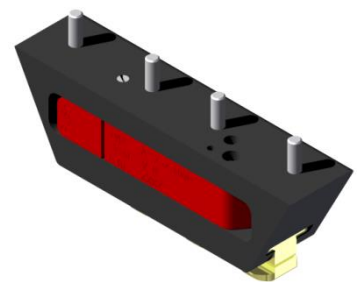
Typ: LH-252-200P

Page: 15



Typ: AL-252-500

Page: 16

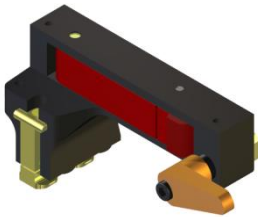


Typ: AL-252-100P

Page: 17

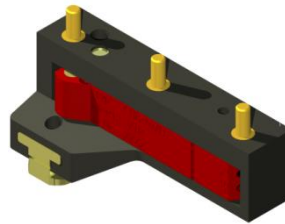
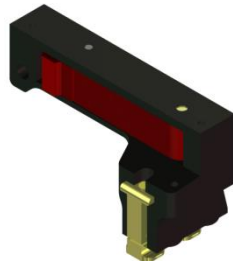
Track Line Orientation

Cross Parts



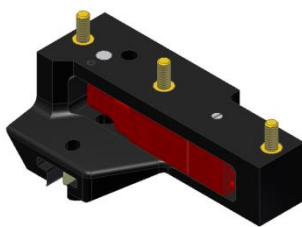
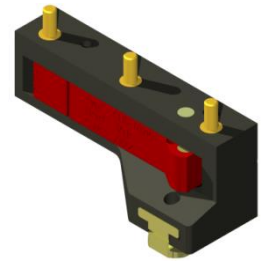
Typ: CHF-106LH-501/502

Page: 22



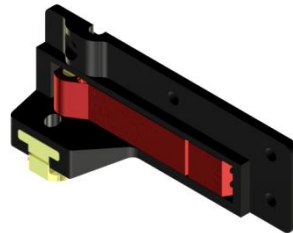
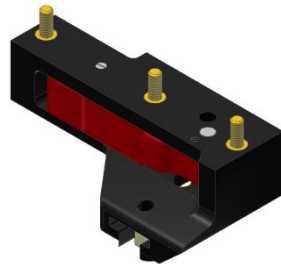
Typ: CHB-107LS / RS

Page: 23



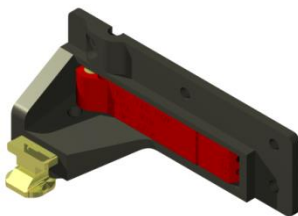
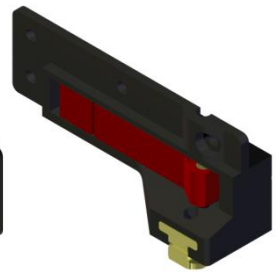
Typ: CHB-107LD / RD -A-505

Page: 24



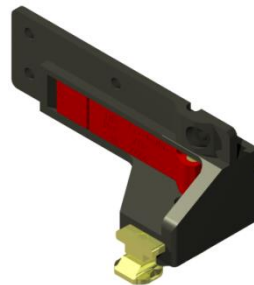
Typ: CHF-107LS / RS

Page: 25



Typ: CHF-107RD / LD

Page: 26



Typ: QC-200-CVF

Page: 27

Track Line Orientation

Cross Parts



Typ: QC-100-CV-501/503

Page: 28

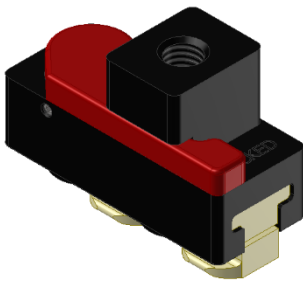


Typ: QC-200-CV-501/503

Page: 29



Flexible Track Parts



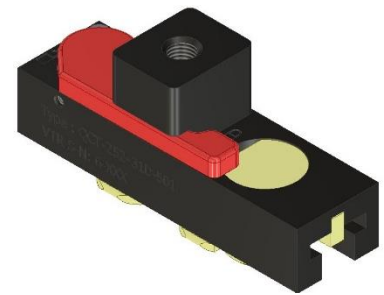
Typ: QCT-252-30D

Page: 31



Typ: QCT-252-30S

Page: 33



Typ: QCT-252-31D

Page: 32

Track Line Orientation

Flat Panel Parts



Typ: BP-103LH

Page: 35



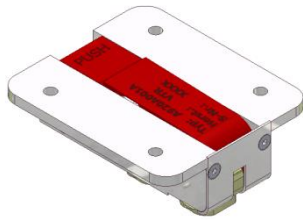
Typ: BP-104-80S-501

Page: 36



Typ: BP-104-80D-501

Page: 37



Typ: BP-104-80D-505

Page: 39



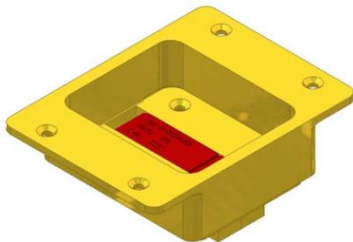
Typ: AF-BP104-501

Page: 40



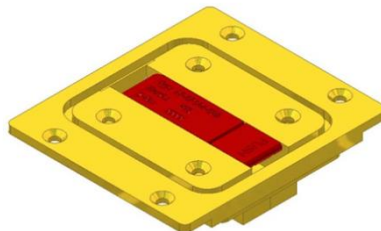
Typ: AF-BP104-507

Page: 42



Typ: AF-BP104-503

Page: 41



Typ: AF-BP104-509

Page: 43

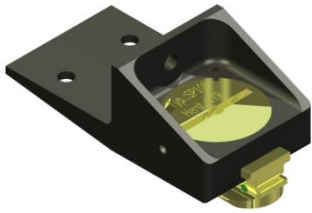


Typ: BP110-501

Page: 45

Track Line Orientation

Flat Panel Parts



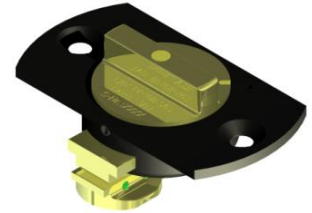
Typ: SP108-501/503

Page: 46



Typ: BP108-501

Page: 47



Typ: BP108-503

Page: 48



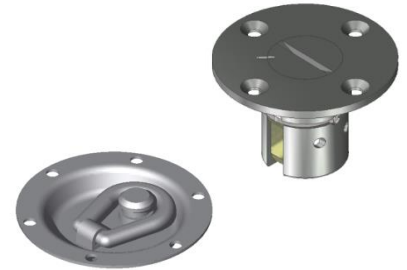
Typ: QCR108-501

Page: 49



Typ: QCR108-503

Page: 50



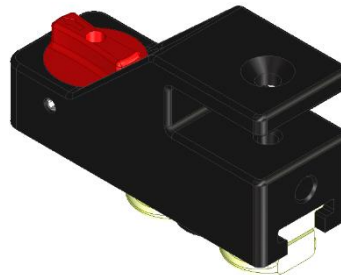
Typ: QC-HP-110

Page: 44



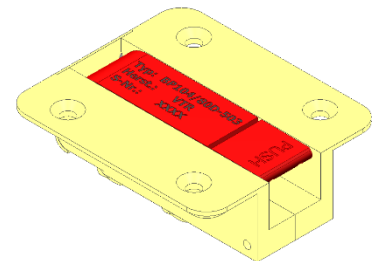
Typ: QCR109-501/503

Page: 51



Typ: QCR110-501

Page: 52



Typ: BP-104-80D-503

Page: 38

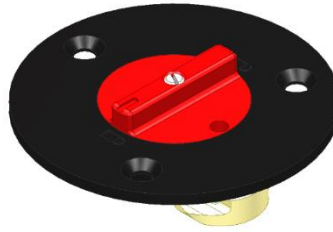
Track Line Orientation

Flat Panel Parts



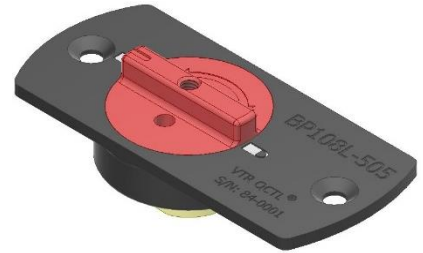
Typ: BP108L-501

Page: 53



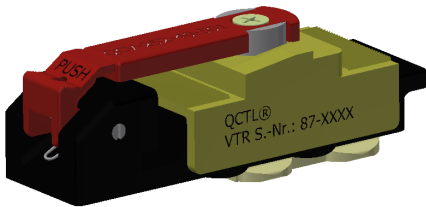
Typ: BP108L-503

Page: 54



Typ: BP108L-505

Page: 55



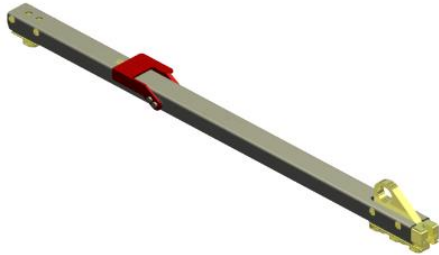
Typ: QCV-252-40-501

Page: 56



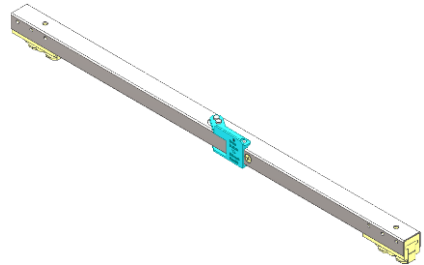
Track Line Orientation

Seat Systems



Typ: W-202-252

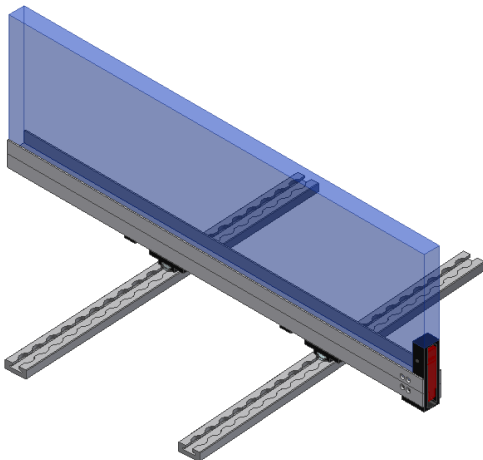
Page: 59



Typ: OHB-252-100

Page: 60

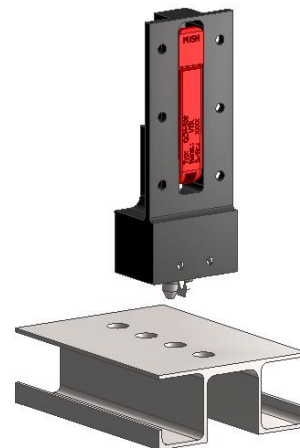
Wall Divider Systems



Typ: BH-252

Page: 62

Hole Application



Typ: QCH-500

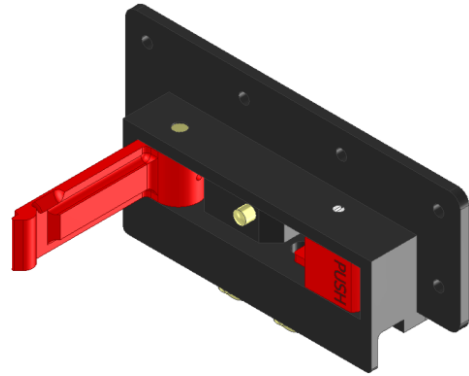
Page: 64

Parallel Parts

1-P-H-F-103

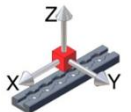
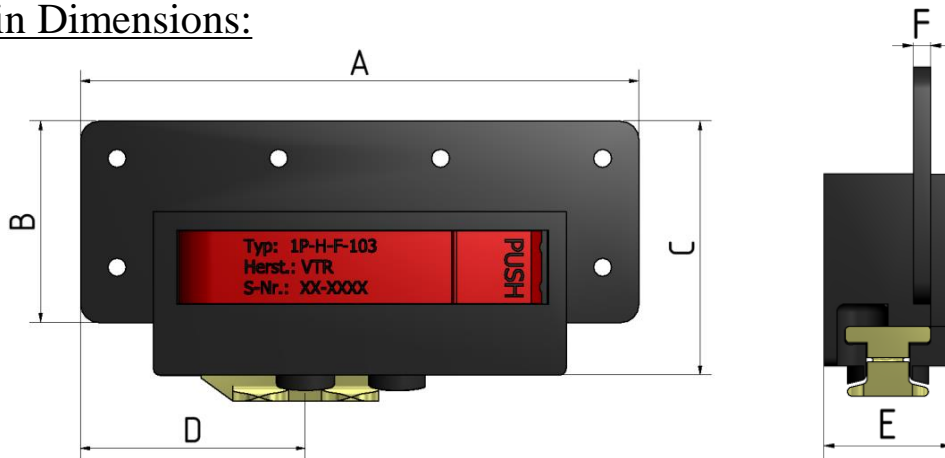


Close



Open

Main Dimensions:



Technical Details:

Dimension:*

A: 154 mm **D:** 62 mm

B: 55,5 mm **E:** 30 mm

C: 70 mm **F:** 4 mm

Weight:

approx. 420 Gramm

approx. 0,925 Lbs

Load Capacity:**

X < 2.600 daN (6.000 lbs)

Y < 1.300 daN (3.000 lbs)

Z < 2.200 daN (5.000 lbs)

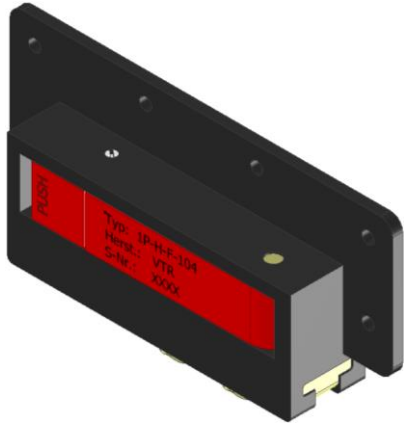
* FOR DETAILS USE DRAWING

**LOADS ARE CONSIDERED WITHOUT MOMENTS

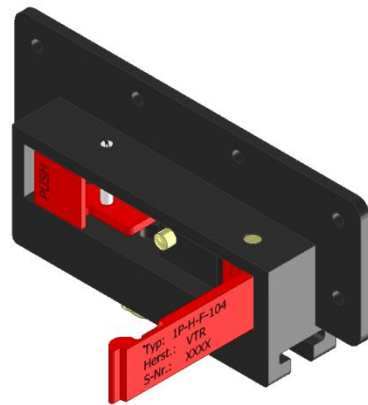
Fitting application (double stud) or walls or structure members running parallel to track. Attachment to interior item is established via flange. Should the fitting be integrated into a honey comb structure it is recommended to use a load distribution plate.



1-P-H-F-104

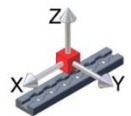
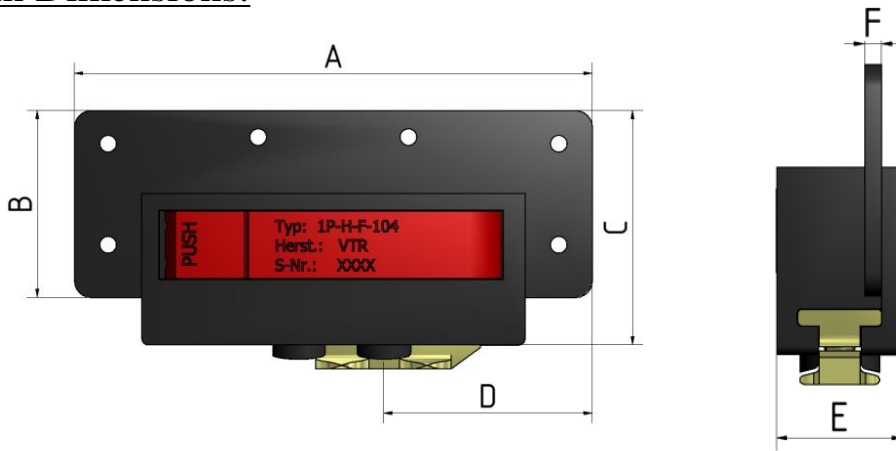


Close



Open

Main Dimensions:



Technical Details:

Dimension:*

A: 154 mm **D:** 62 mm

B: 55,5 mm **E:** 30 mm

C: 70 mm **F:** 4 mm

Weight:

approx. 450 Gramm

approx. 0,992 Lbs

Load Capacity:**

X < 2.600 daN (6.000 lbs)

Y < 1.300 daN (3.000 lbs)

Z < 2.200 daN (5.000 lbs)

* FOR DETAILS USE DRAWING

**LOADS ARE CONSIDERED WITHOUT MOMENTS

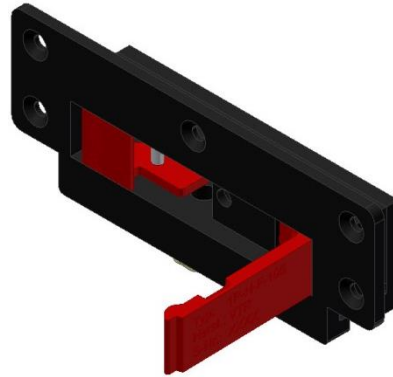
Fitting application (double stud) or walls or structure members running parallel to track. Attachment to interior item is established via flange. Should the fitting be integrated into a honey comb structure it is recommended to use a load distribution plate.



1-P-H-F-105

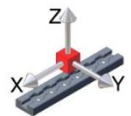
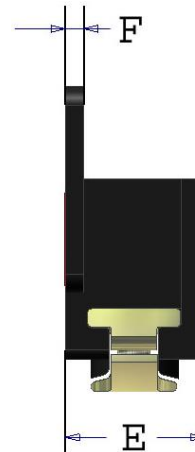
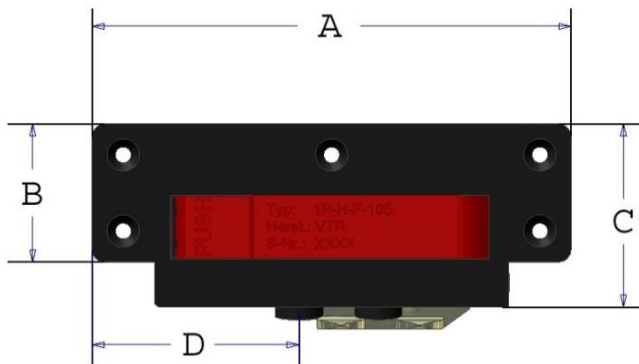


Close



Open

Main Dimensions:



Technical Details:

Dimension:*

A: 154 mm **D:** 66,6 mm
B: 44,5 mm **E:** 30 mm
C: 59 mm **F:** 4 mm

Weight:

approx. 400 Gramm
 approx. 0,90 Lbs

Load Capacity:**

X < 2.600 daN (6.000 lbs)
 Y < 1.300 daN (3.000 lbs)
 Z < 2.200 daN (5.000 lbs)

* FOR DETAILS USE DRAWING

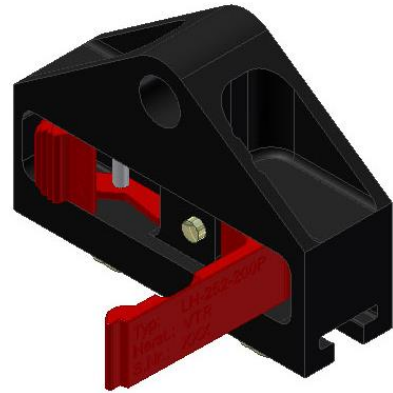
**LOADS ARE CONSIDERED WITHOUT MOMENTS

Fitting application (double stud) or walls or structure members running parallel to track. Attachment to interior item is established via flange. Should the fitting be integrated into a honey comb structure it is recommended to use a load distribution plate.

LH-252-200P

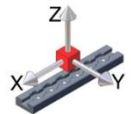
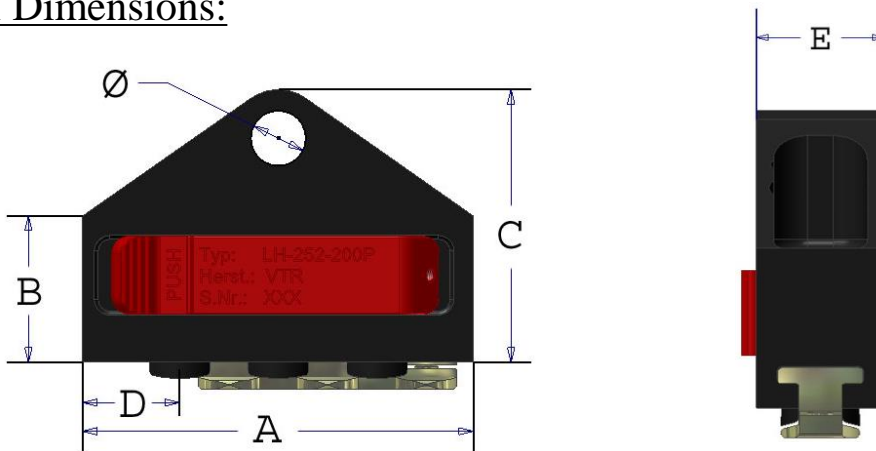


Close



Open

Main Dimensions:



Technical Details:

Dimension:*

A: 100,6 mm **D:** 25 mm

B: 37,6 mm **E:** 30 mm

C: 70,1 mm **Ø:** 14,2 mm

Weight:

approx. 425 Gramm

approx. 0,94 Lbs

Load Capacity:**

X < 3.500 daN (7.800 lbs)

Y < 2.000 daN (4.400 lbs)

Z < 3.500 daN (7.800 lbs)

* FOR DETAILS USE DRAWING

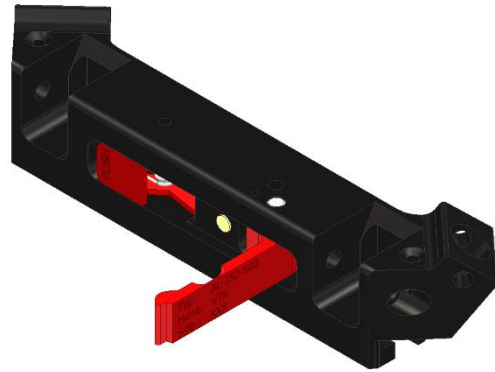
**LOADS ARE CONSIDERED WITHOUT MOMENTS

Fitting application (triple stud) on racks or frame structure. Attachment to interior items is established via single bolt or tube dia 14 mm. No moment is transferred in xz – plane.

AL-252-500

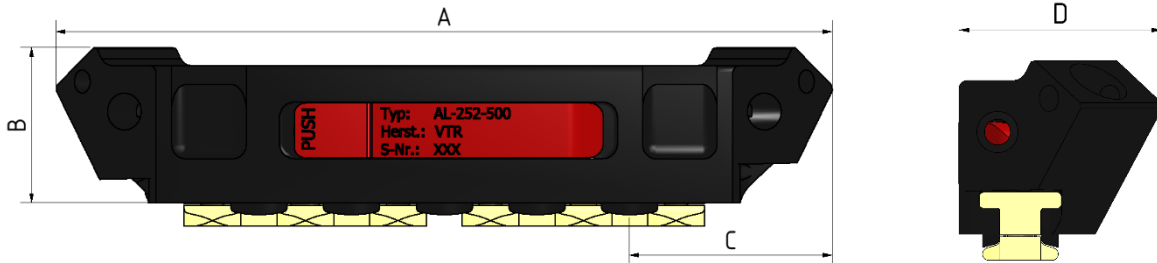


Close

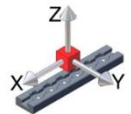


Open

Main Dimensions:



Technical Details:



Dimension:*

A: 213 mm **D:** 50 mm

B: 43 mm

C: 56 mm

Weight:

approx. tbd

approx. tbd

Load Capacity:**

X < 3.000 daN (6.700 lbs)

Y < 1.500 daN (3.300 lbs)

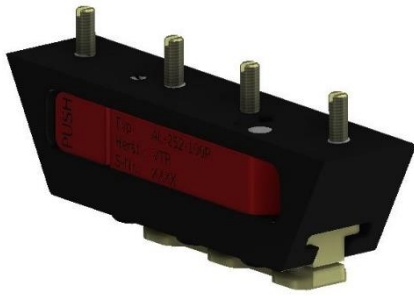
Z < 3.000 daN (6.700 lbs)

* FOR DETAILS USE DRAWING

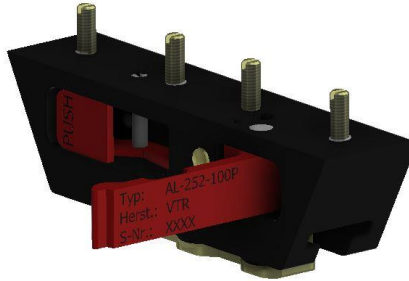
**LOADS ARE CONSIDERED WITHOUT MOMENTS

This is an example for a technical realisation of an individual customer request. Sample shows side facing floor attachment of a parachute jumper seat.

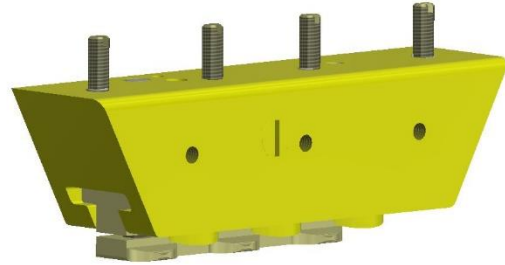
AL-252-100P (-501)



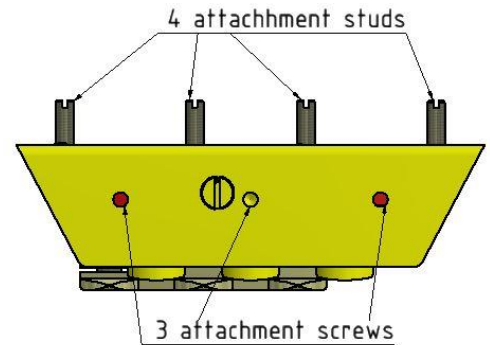
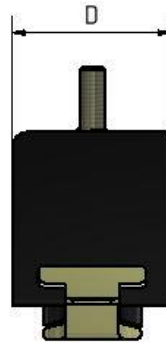
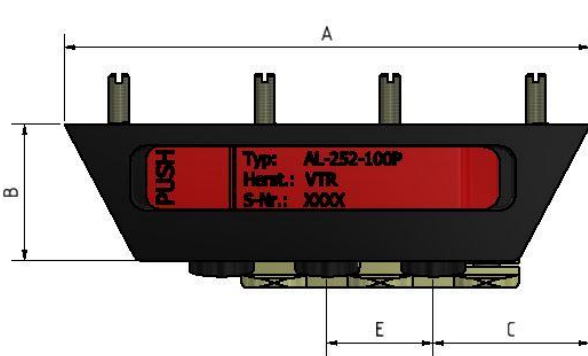
Close



Open



Main Dimensions:



Technical Details:

Dimension:*

A: 126 mm **D:** 30 mm
B: 32,6 mm **E:** 24,4 mm
C: 37,6 mm

Weight:

approx. 400 Gramm
 approx. 0,9 Lbs

Load Capacity:**

X < 3.600 daN (8.000 lbs)
 Y < 2.200 daN (5.000 lbs)
 Z < 3.600 daN (8.000 lbs)

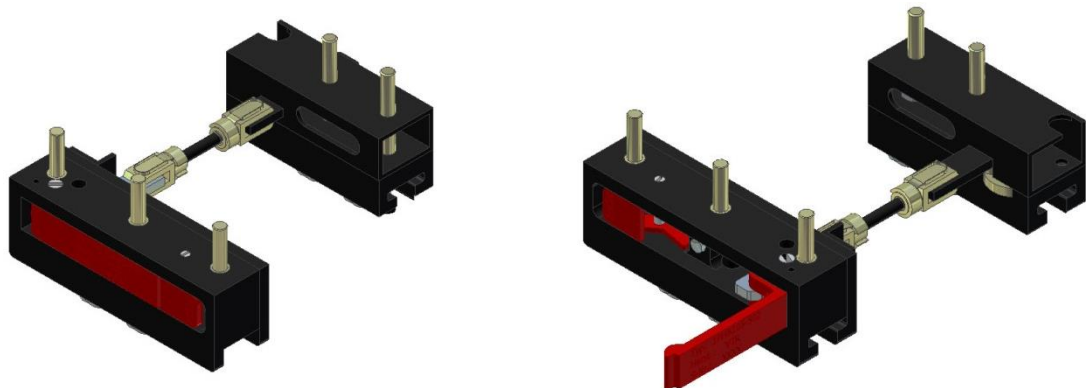
* FOR DETAILS USE DRAWING

**LOADS ARE CONSIDERED WITHOUT MOMENTS

Fitting application (triple stud) on all interior structures as wall or rectangular tube Structures and as all well flat panel integration (for example bottom panels or cabinets)
 Attachment to interior item is solved by stand off bolts.

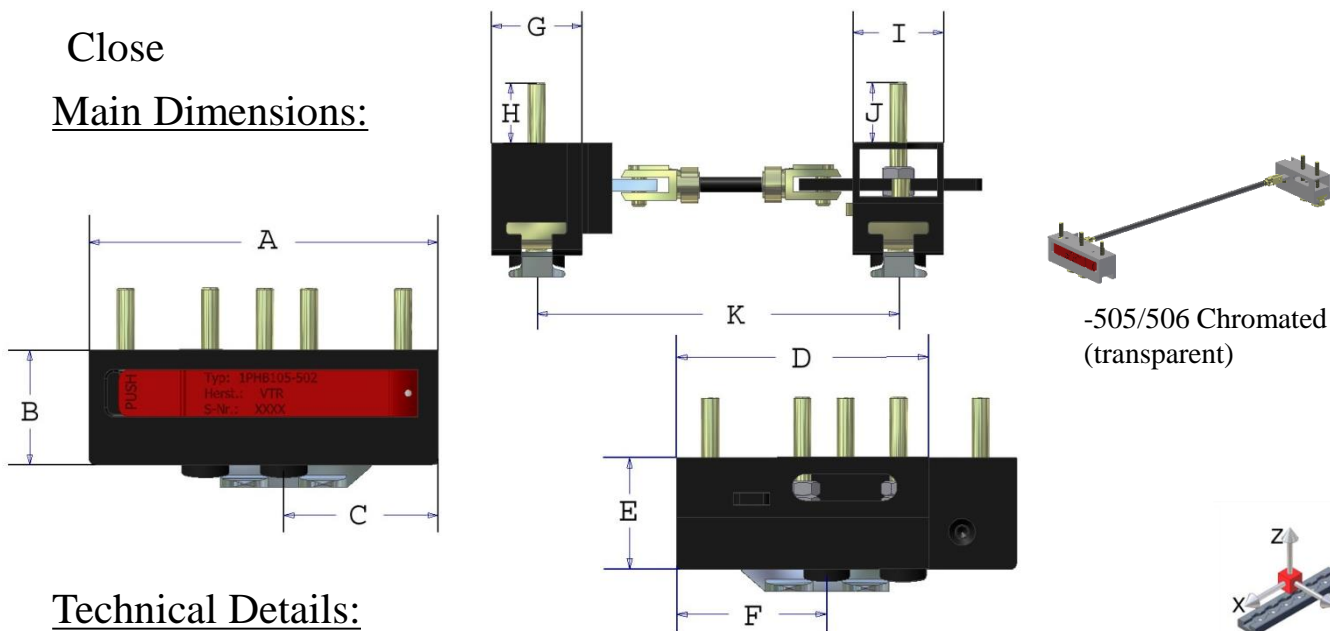
Doghouse Systems

1PHB-105-501/2/5/6



Close

Main Dimensions:



-505/506 Chromated
(transparent)

Technical Details:

Dimension:*

A: 113,2 mm **D:** 84 mm **G:** 30 mm
B: 37,2 mm **E:** 37,2 mm **H:** 20 mm
C: 50 mm **F:** 50 mm **I:** 30 mm
J: 20 mm **K:** min. 110 mm / max. Variabel

Weight:

Approx 690 Gramm
 approx. 1,52 Lbs

Load Capacity:**

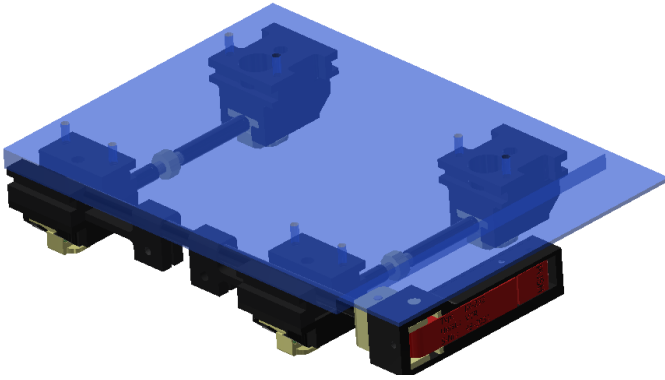
X < 2.400 daN (5.500 lbs)
 Y < 1.400 daN (3.300 lbs)
 Z < 2.400 daN (5.500 lbs)

* FOR DETAILS USE DRAWING

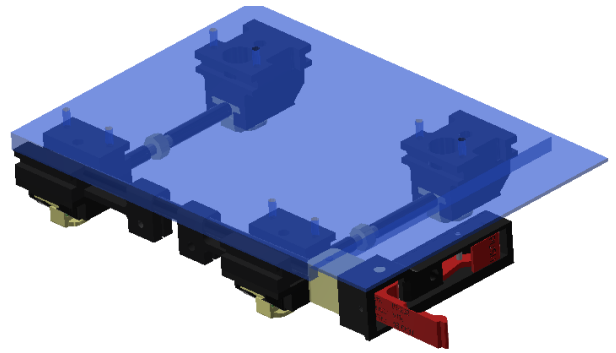
**LOADS ARE CONSIDERED WITHOUT MOMENTS

Fitting application (double stud) designed for pallet systems where only on one side locking access is available. A left and right system is offered with an inboard and outboard locker. Attachment to interior item (pallet or other bottom panel or bottom structure) is solved by stand off bolts.

IN-252

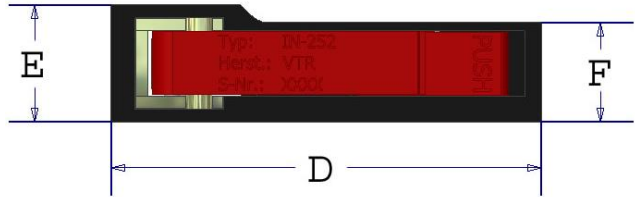
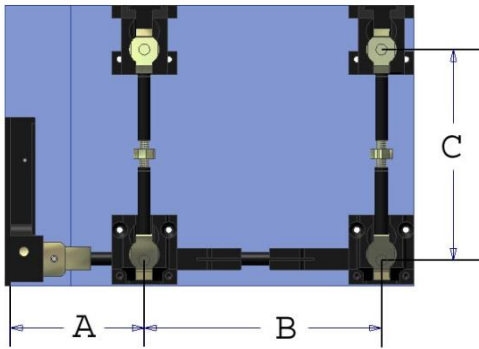


Close

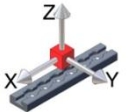


Open

Main Dimensions:



Technical Details:



Dimension:*

A: min. 100 mm/max. Variabel
B: min. 145 mm/max. Variabel
C: min. 102,5 mm/max. Variabel

D: 102,6 mm
E: 27,9 mm
F: 23,7 mm

Weight:

approx. 1150 Gramm
 approx. 2,53 Lbs

Load Capacity:**

X < 1.500 daN (3.300 lbs)
 Y < 1.000 daN (2.200 lbs)
 Z < 1.500 daN (3.300 lbs)

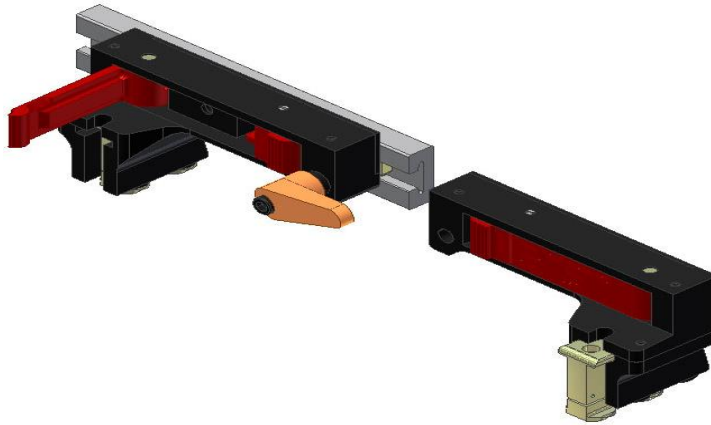
* FOR DETAILS USE DRAWING

**LOADS ARE CONSIDERED WITHOUT MOMENTS

Fitting application (single stud per locker) designed for doghouse fixations where a single actuator operates 4 or 6 locker. The dimensions A,B,C can be chosen by the customer. Since the locker unit runs in an extrusion profile the dimension C(C') can be adapted to different seat track y- distances. This design detail allows an integration of the interior item into different aircrafts without changing the part.

Cross Parts

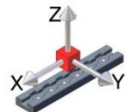
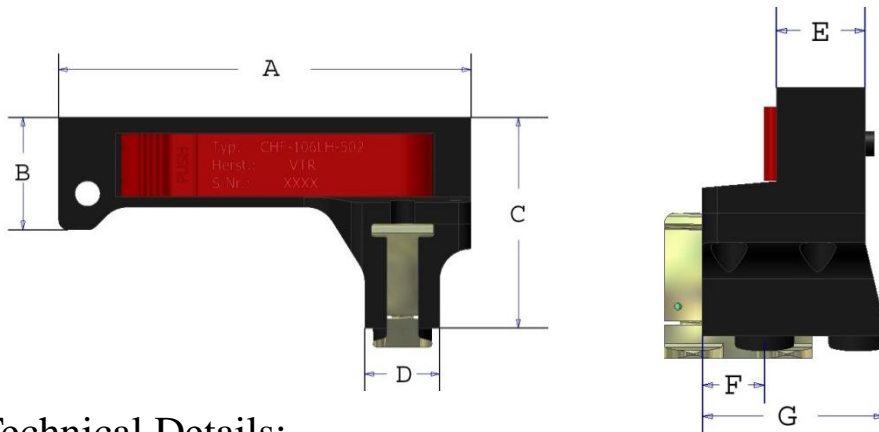
CHF-106LH-501/502



Close

Open

Main Dimensions:



Technical Details:

Dimension:*

A: 132,5 mm **D:** 24 mm **G:** 49,3 mm
B: 36 mm **E:** 24 mm
C: 67,5 mm **F:** 16,8 mm

Weight:

approx. 562 Gramm
 approx. 1,24 Lbs

Load Capacity:**

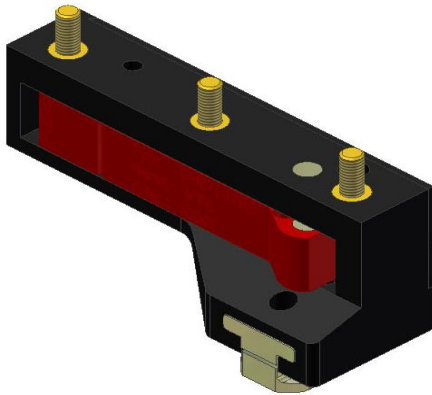
X < 1.500 daN (3.300 lbs)
 Y < 500 daN (1.100 lbs)
 Z < 1.800 daN (4.400 lbs)

* FOR DETAILS USE DRAWING

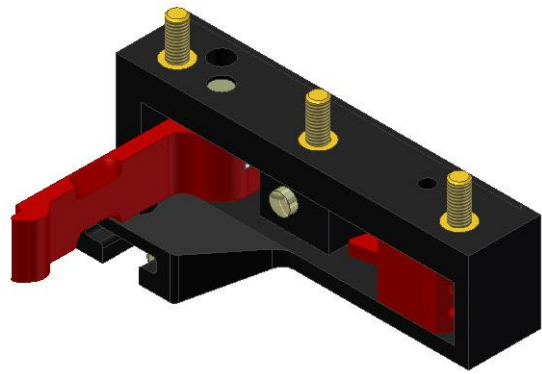
**LOADS ARE CONSIDERED WITHOUT MOMENTS

Fitting application (double stud) designed for medical care stations or other cross track items. The L/H fitting is mounted on a Y-profile and is adjustable in a certain range (+/- 5"). This design figure allows the usage of the care station in different aircraft due to the flexible adjustable fitting. The dimension C (height above track) allows the usage with high floor carpets.

CHB-107LS/RS

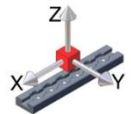
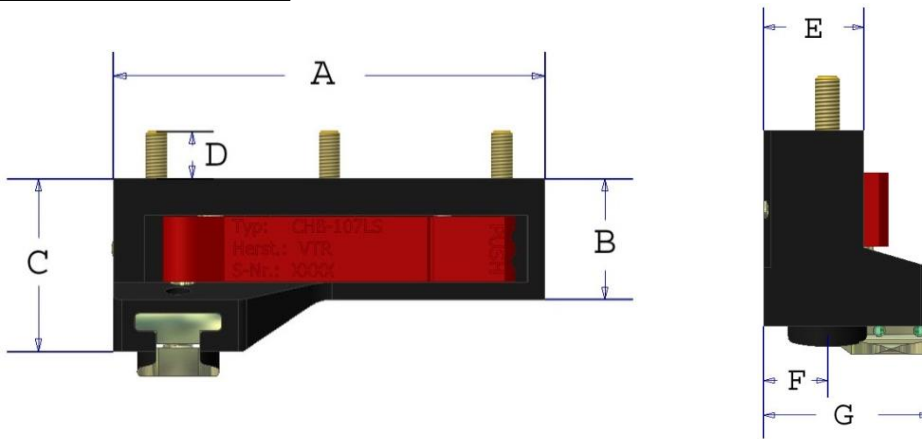


Close



Open

Main Dimensions:



Technical Details:

Dimension:*

A: 100 mm **D:** 14 mm **G:** 34 mm
B: 28 mm **E:** 20,4 mm
C: 40 mm **F:** 13 mm

Weight:

approx. 260 Gramm
 approx. 0,57 Lbs

Load Capacity:**

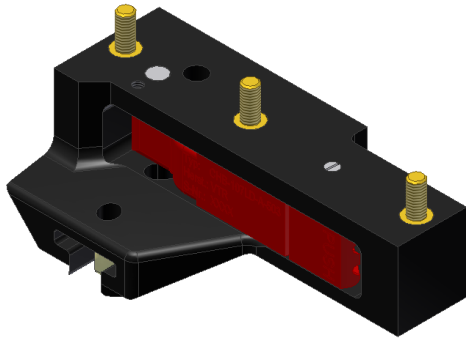
X < 900 daN (2.000 lbs)
 Y < 600 daN (1.500lbs)
 Z < 900 daN (2.000 lbs)

* FOR DETAILS USE DRAWING

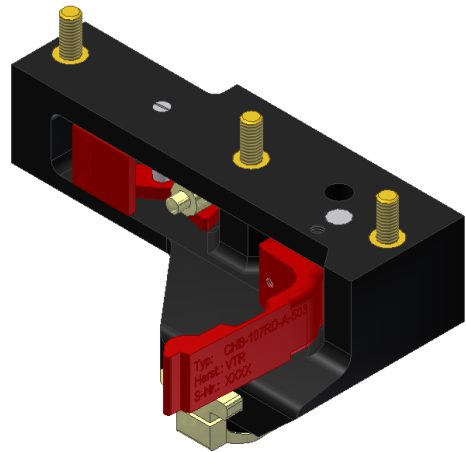
**LOADS ARE CONSIDERED WITHOUT MOMENTS

Fitting application (single stud) designed for cross to x-direktion walls/structures where lower loads shall be transferred. A left and right type is available. Attachment to interior Item is solved by stand off bolts.

CHB-107RD/LD-A-505

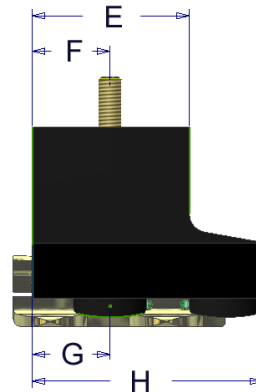
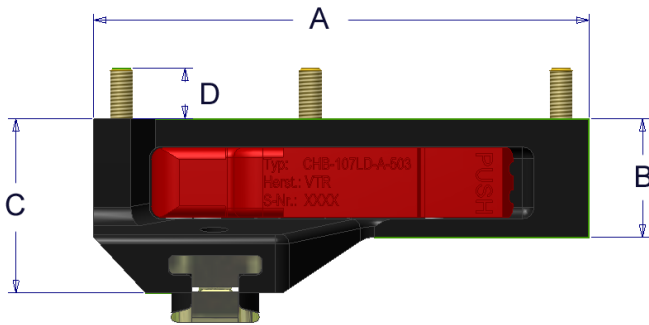


Close



Open

Main Dimensions:



Technical Details:

Dimension:*

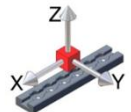
A: 107 mm **D:** 14 mm **G:** 17 mm
B: 25,5 mm **E:** 34,4 mm **H:** 50,5 mm
C: 37,5 mm **F:** 17 mm

Weight:

approx. 360 Gramm
 approx. 0,8 Lbs

Load Capacity:**

X < 2.500 daN (5.500 lbs)
 Y < 1.500 daN (3.300 lbs)
 Z < 2.500 daN (5.500 lbs)

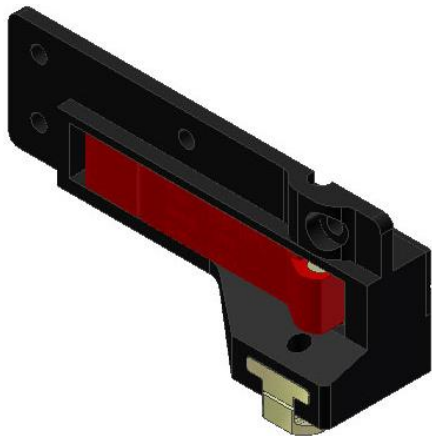


* FOR DETAILS USE DRAWING

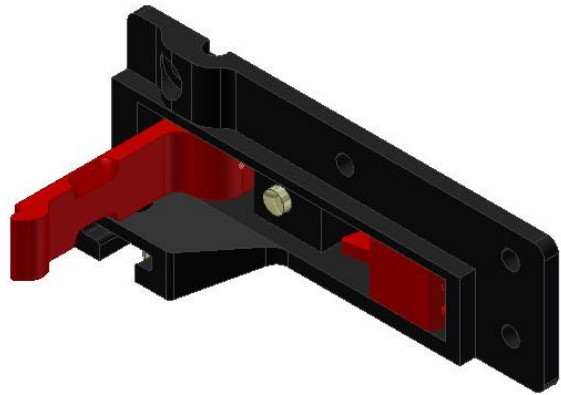
**LOADS ARE CONSIDERED WITHOUT MOMENTS

Fitting application (double stud) designed for cross walls or other structures as well bottom panels. A left and right type is available. Attachment to interior item is solved by stand off bolts.

CHF-107RS/LS

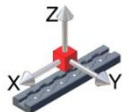
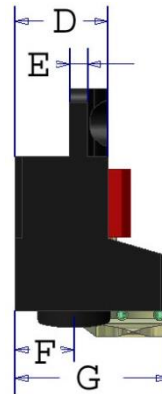
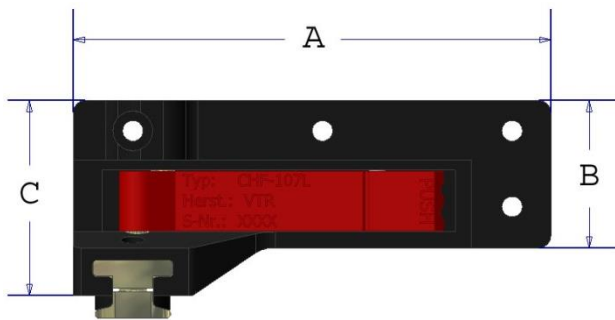


Close



Open

Main Dimensions:



Technical Details:

Dimension:*

A: 120 mm **D:** 20,4 mm **G:** 34 mm
B: 37 mm **E:** 4 mm
C: 49 mm **F:** 13 mm

Weight:

approx. 190 Gramm
 approx. 0,42 Lbs

Load Capacity:**

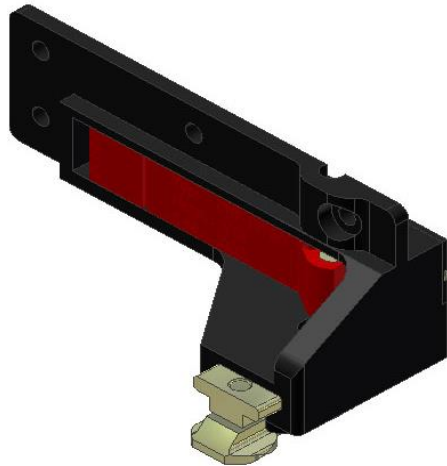
X < 900 daN (2.000 lbs)
 Y < 500 daN (1.100 lbs)
 Z < 900 daN (2.000 lbs)

* FOR DETAILS USE DRAWING

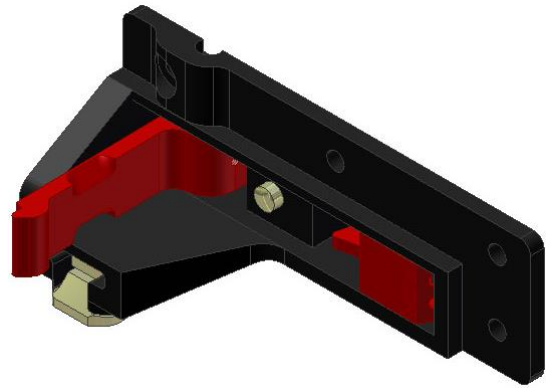
**LOADS ARE CONSIDERED WITHOUT MOMENTS

Fitting application (single stud) designed for cross to x-direction walls/structures where lower loads shall be transferred. A left and right type is available. Attachment to interior item is solved via flange with #10 holes (dia 5 mm). The fitting shape is tailored where the dimension "C" is limited.

CHF-107RD/LD

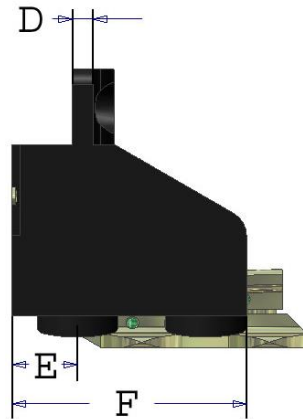
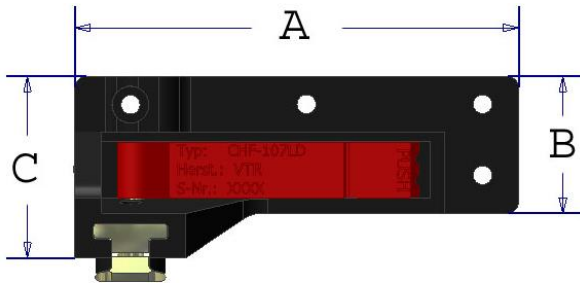


Close



Open

Main Dimensions:



Technical Details:

Dimension:*

A: 120 mm **D:** 4 mm
B: 37 mm **E:** 13 mm
C: 49 mm **F:** 46,5 mm

Weight:

approx. 320 Gramm
 approx. 0,7 Lbs

Load Capacity:**

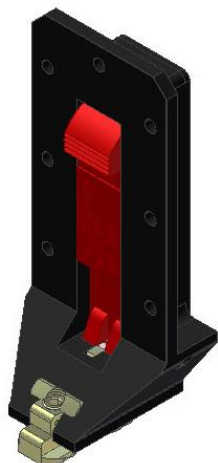
X < 2.400 daN (5.400 lbs)
 Y < 1.500 daN (3.300 lbs)
 Z < 2.400 daN (5.400 lbs)

* FOR DETAILS USE DRAWING

**LOADS ARE CONSIDERED WITHOUT MOMENTS

Fitting application (double stud) designed for cross walls or other structure running in Y direction of the A/C. A left and right type is available. Attachment to the interior items is solved via flange and screw holes (dia 5 mm).

QC-200-CVF

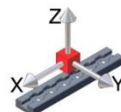
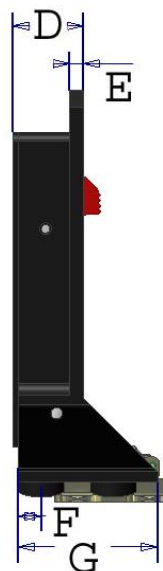
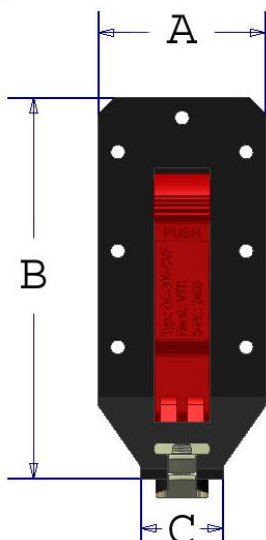


Close



Open

Main Dimensions:



Technical Details:

Dimension:*

A: 61 mm **D:** 25 mm **G:** 49 mm
B: 139 mm **E:** 5 mm
C: 30 mm **F:** 8 mm

Weight:

approx. 390 Gramm
 approx. 0,86 Lbs

Load Capacity:**

X < 3.000 daN (6.700 lbs)
 Y < 1.500 daN (3.300 lbs)
 Z < 3.000 daN (6.700 lbs)

* FOR DETAILS USE DRAWING

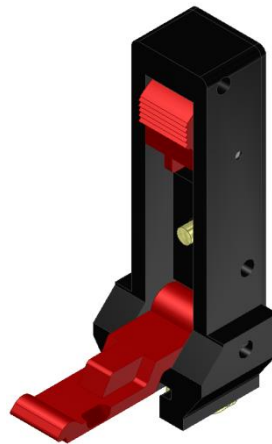
**LOADS ARE CONSIDERED WITHOUT MOMENTS

Fitting application (double stud) designed for cross walls or other structure running in Y direction or the aircraft. The surrounding attachment flange with 7 attachment holes provides a perfect integration into a honey comb structure. The fitting shape is tailored Where the dimension "A" is limited.

QC-100-CV-501/503

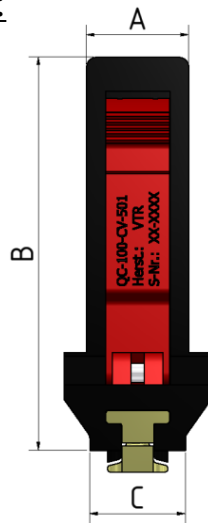


Close

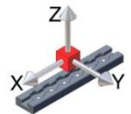


Open

Main Dimensions:



-501 with through-holes
-503 with threaded-holes



Technical Details:

Dimension:*

A: 32 mm **D:** 25 mm
B: 124 mm **E:** 8 mm
C: 30 mm **F:** 32,20 mm

Weight:

approx. 280 Gramm
approx. 0,617 Lbs

Load Capacity:**

X < 1.600 daN (3.600 lbs)
Y < 1.100 daN (2.500 lbs)
Z < 1.600 daN (3.600 lbs)

* FOR DETAILS USE DRAWING

**LOADS ARE CONSIDERED WITHOUT MOMENTS

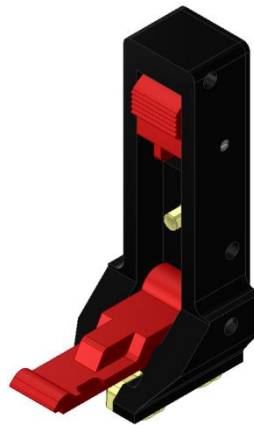
Fitting application (single stud) designed for cross walls or hollow profiles running in Y direction of aircraft. Available with 3 threaded-holes each side for fixation with 6 screws, or 2 through-holes for fixation with 2 bolts/nuts.

QC-200-CV-501/503

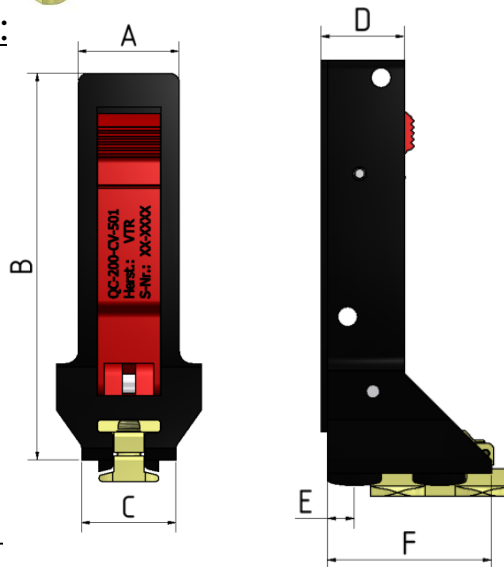
Close



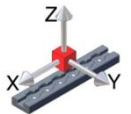
Open



Main Dimensions:



-501 with through-holes
-503 with threaded-holes



Technical Details:

Dimension:*

A: 32 mm **D:** 25 mm
B: 124 mm **E:** 8 mm
C: 30 mm **F:** 32,20 mm

Weight:

approx. 330 Gramm
approx. 0,727 Lbs

Load Capacity:**

X < 3.500 daN (7.800 lbs)
Y < 2.000 daN (4.500 lbs)
Z < 3.500 daN (7.800 lbs)

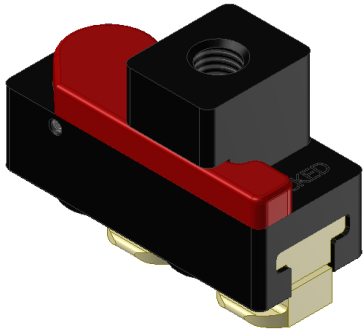
* FOR DETAILS USE DRAWING

**LOADS ARE CONSIDERED WITHOUT MOMENTS

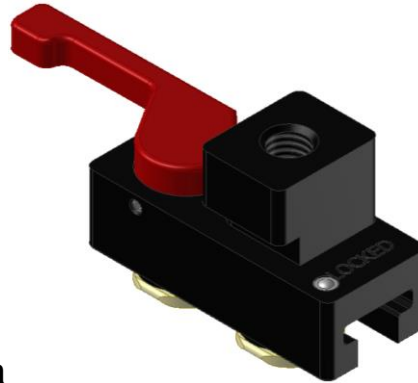
Fitting application (double stud) designed for cross walls or hollow profiles running in Y direction of aircraft. Available with 3 threaded-holes each side for fixation with 6 screws, or 2 through-holes for fixation with 2 bolts/nuts.

Flexible Panel Parts

QCT-252-30D

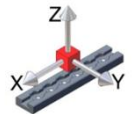
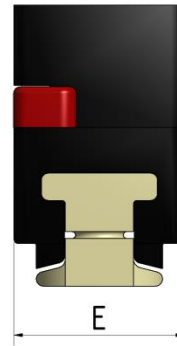
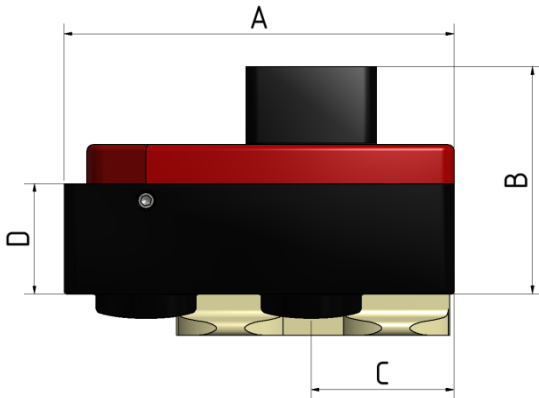


Close



Open

Main Dimensions:



Technical Details:

Dimension:*

A: 60 mm **D:** 17 mm
B: 35 mm **E:** 25 mm
C: 22 mm

Weight:

approx. 140 Gramm
approx. 0,308 Lbs

Load Capacity:**

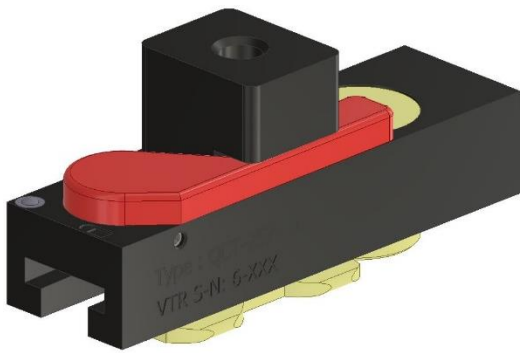
X < 1.600 daN (3.500 lbs)
Y < 1.500 daN (3.300 lbs)
Z < 3.000 daN (6.700 lbs)

* FOR DETAILS USE DRAWING

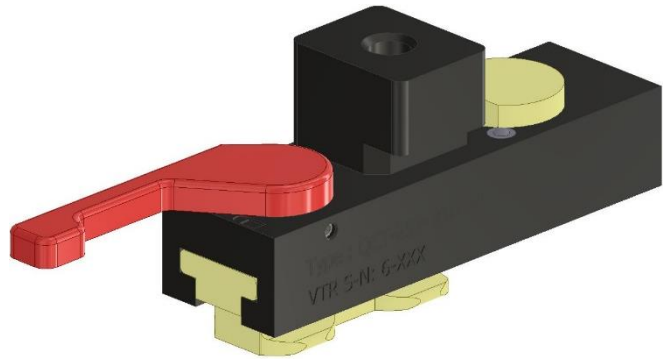
**LOADS ARE CONSIDERED WITHOUT MOMENTS

Fitting application (double stud) designed for walls or interior without fixed track direction. The thread on top (size maybe determined) allows fixation even of round structure (showers etc.)

QCT-252-31D-501

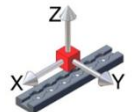
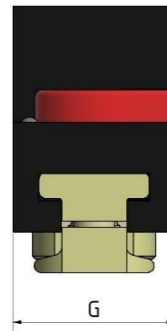
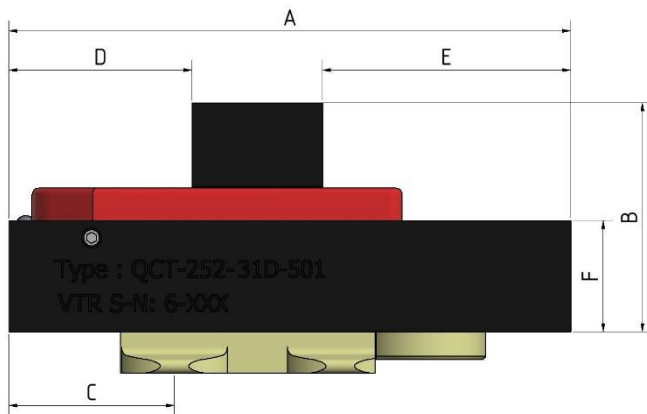


Close



Open

Main Dimensions:



Technical Details:

Dimension:*

A: 86 mm D: 28 mm G: 25 mm
 B: 35 mm E: 38 mm
 C: 25,30 mm F: 17 mm

Weight:

approx. tbd
 approx. tbd

Load Capacity:**

X < 2000 daN
 Y < 1500 daN
 Z < 2500 daN

* FOR DETAILS USE DRAWING

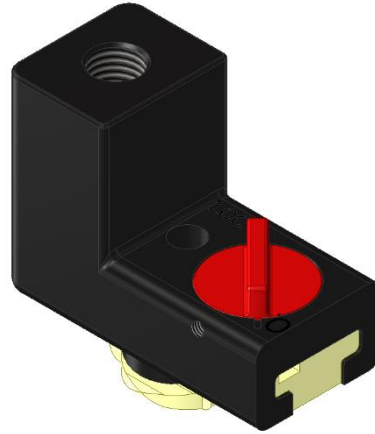
**LOADS ARE CONSIDERED WITHOUT MOMENTS

Fitting application (double stud) designed for walls or interior without fixed track direction. The thread on top (size maybe determined) allows fixation even of round structure (showers etc.). Quick access and relocatability (shifting in track direction) without any tools.

QCT-252-30S

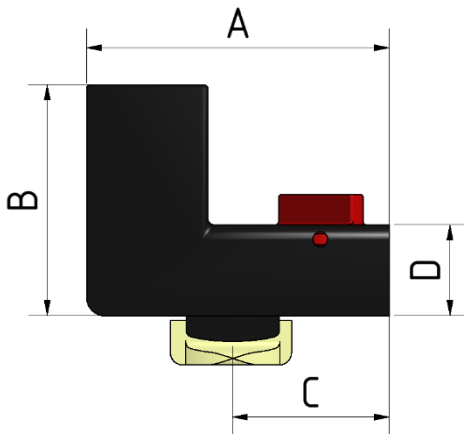


Close



Open

Main Dimensions:



Technical Details:

Dimension:*

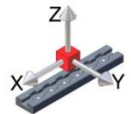
A: 50 mm D: 15 mm
 B: 38 mm E: 25 mm
 C: 26 mm

Weight:

approx. tbd
 approx. tbd

Load Capacity:**

X < tbd
 Y < tbd
 Z < tbd



* FOR DETAILS USE DRAWING

**LOADS ARE CONSIDERED WITHOUT MOMENTS

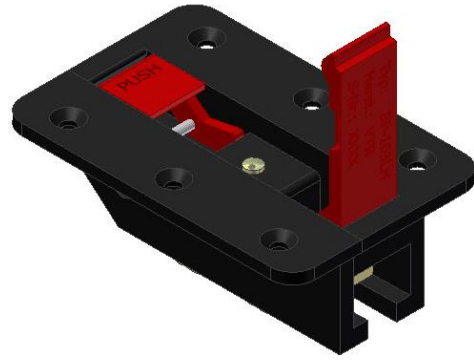
Fitting application (single stud) designed for walls or interior without fixed track direction. The thread on top (size maybe determined) allows fixation even of round structure (showers etc.)

Flat Panel Parts

BP-103LH

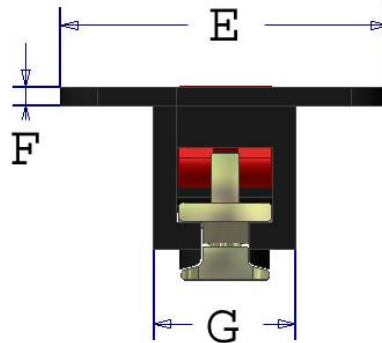
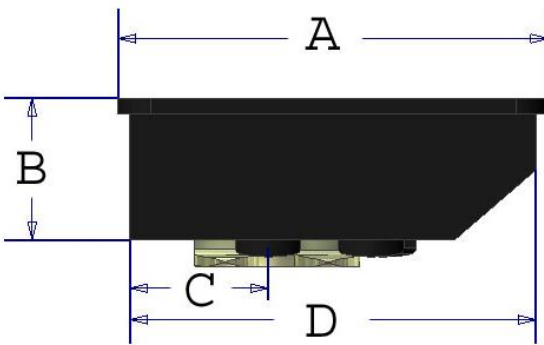


Close



Open

Main Dimensions:



Technical Details:

Dimension:**

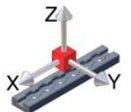
A: 106 mm **D:** 100 mm **G:** 30,5 mm
B: 35 mm **E:** 70,5 mm
C: 37 mm **F:** 4 mm

Weight:

approx. 336 Gramm
 approx. 0,74 Lbs

Load Capacity:*

X < 2.000 daN (4.400 lbs)
 Y < 1.500 daN (3.300 lbs)
 Z < 2.000 daN (4.400 lbs)



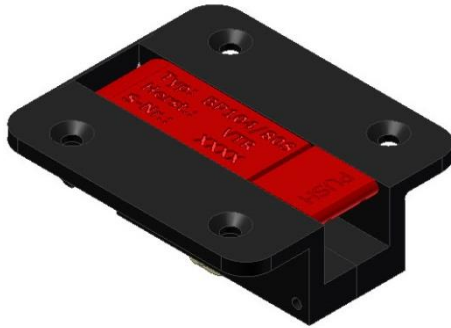
* FOR DETAILS USE DRAWING

**LOADS ARE CONSIDERED WITHOUT MOMENTS

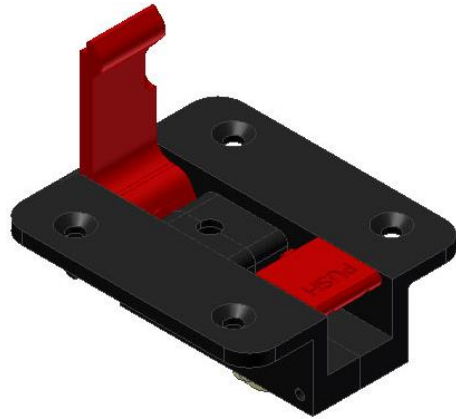
Fitting application (double stud) designed for use on thick bottom panels (~1"). Means integration in all interior items based on a structural bottom panel consisting of honey comb or aluminum or glass reinforced plastics as:

Cabinets, stowage houses, galleys, credenza, toilets and also doghouses where access is provided from inside of the cabinet.

BP-104/80S-501

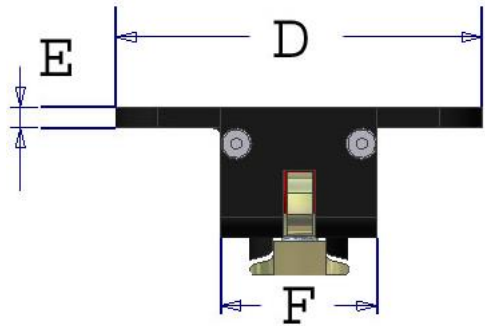
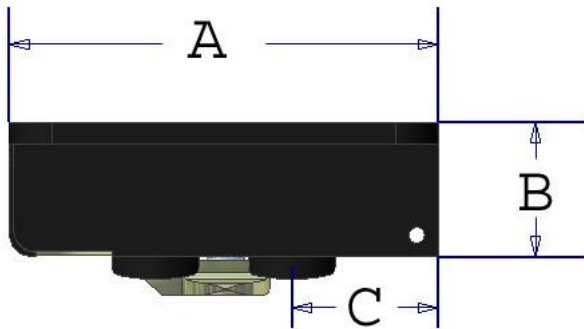


Close



Open

Main Dimensions:



Technical Details:

Dimension:*

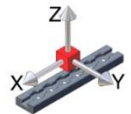
A: 80 mm **D:** 70 mm
B: 25 mm **E:** 4 mm
C: 27,3 mm **F:** 30 mm

Weight:

approx. 205 Gramm
approx. 0,45 Lbs

Load Capacity:**

X < 1.500 daN (3.300 lbs)
Y < 1.500 daN (3.300 lbs)
Z < 1.500 daN (3.300 lbs)



* FOR DETAILS USE DRAWING

**LOADS ARE CONSIDERED WITHOUT MOMENTS

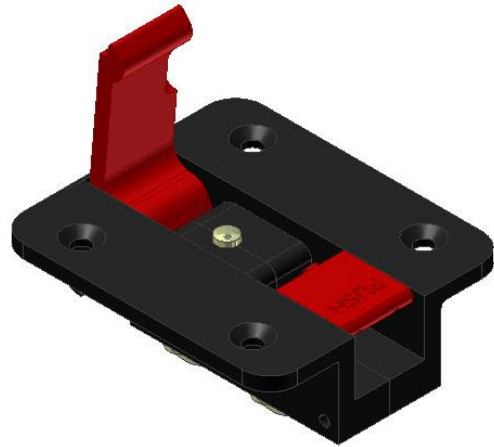
Fitting application (single stud) designed for use on bottom panels (~ 1/2" to 3/4") with the load to transferable of a single stud. Integration in all interior items based on a structural bottom panel consisting of honey comb or aluminum or glass reinforced plastics as:

Cabinets, stowage houses, galleys, credenza, toilets and also doghouses where access is provided from inside of the cabinet.

BP-104/80D-501

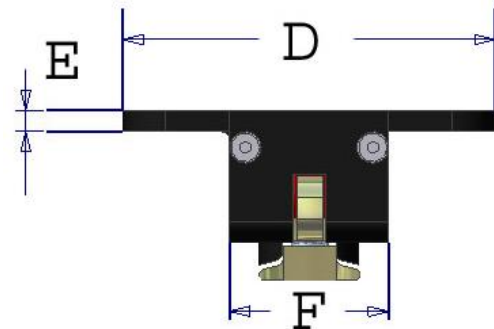
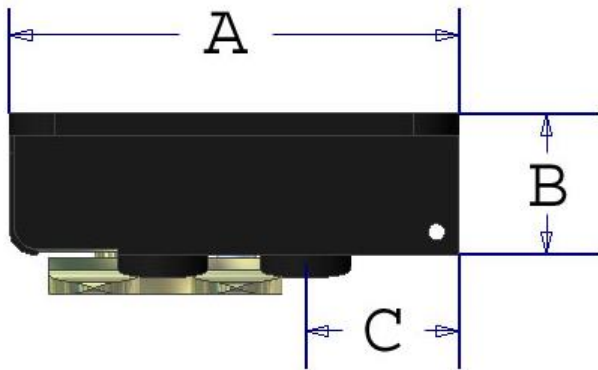


Close



Open

Main Dimensions:



Technical Details:

Dimension:*

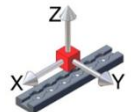
A: 80 mm **D:** 70 mm
B: 25 mm **E:** 4 mm
C: 27,3 mm **F:** 30 mm

Weight:

approx. 310 Gramm
 approx. 0,68 Lbs

Load Capacity:**

X < 2.000 daN (4.400 lbs)
 Y < 1.500 daN (3.300 lbs)
 Z < 2.000 daN (4.400 lbs)

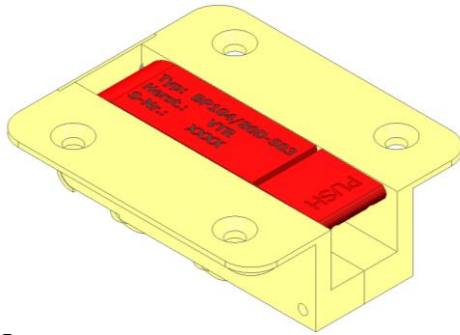


* FOR DETAILS USE DRAWING

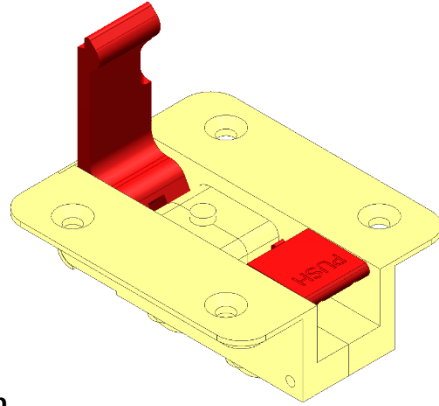
**LOADS ARE CONSIDERED WITHOUT MOMENTS

Fitting application (double stud) designed for use on bottom panels (~ 1/2" to 3/4").
 Integration in all interior items based on a structural bottom panel consisting of honey comb or aluminum or glass reinforced plastics as:
 Cabinets, stowage houses, galleys, credenza, toilets and also doghouses where access is provided from inside of the cabinet.

BP-104/80D-503

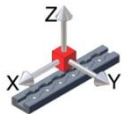
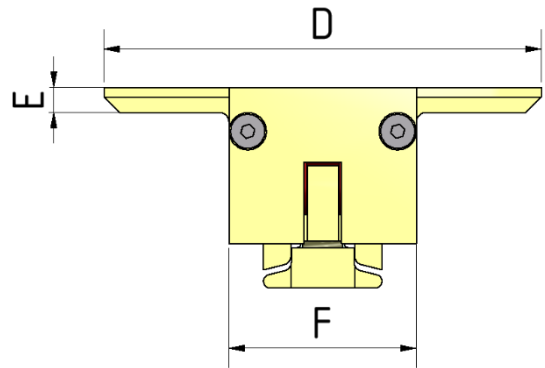
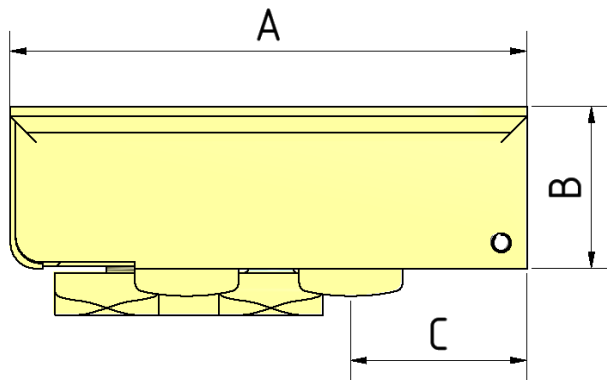


Close



Open

Main Dimensions:



Technical Details:

Dimension:*

A: 80 mm D: 70 mm
 B: 25 mm E: 4 mm
 C: 27,3 mm F: 30 mm

Weight:

approx. tbd
 approx. tbd

Load Capacity:**

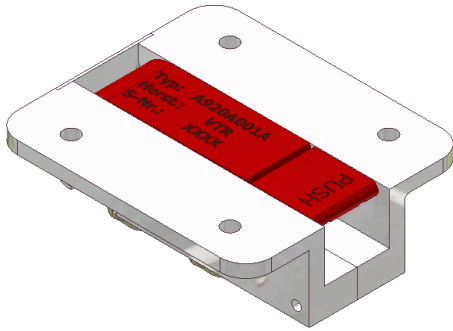
X < 4.000 daN (8.810 lbs)
 Y < 3.000 daN (6.607 lbs)
 Z < 4.000 daN (8.810 lbs)

* FOR DETAILS USE DRAWING

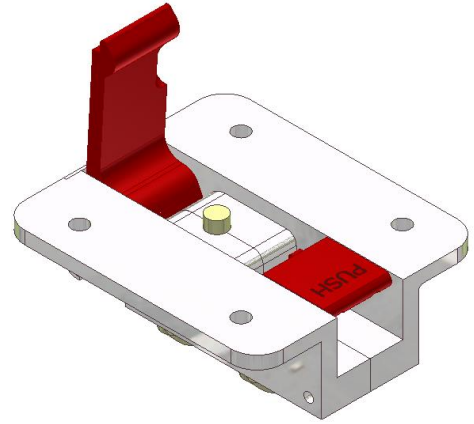
**LOADS ARE CONSIDERED WITHOUT MOMENTS

Fitting application (double stud) designed for use on bottom panels (~ 1/2" to 3/4").
 Integration in all interior items based on a structural bottom panel consisting of honey comb or aluminum or glass reinforced plastics as:
 Cabinets, stowage houses, galleys, credenza, toilets and also doghouses where access is provided from inside of the cabinet.

BP-104-80/D-505

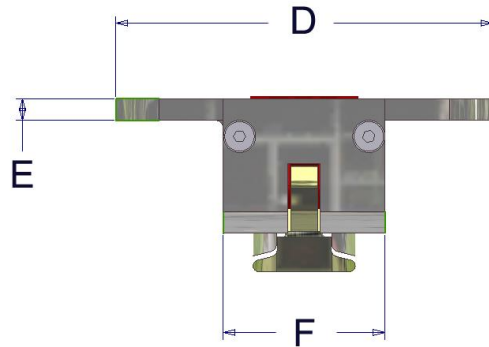
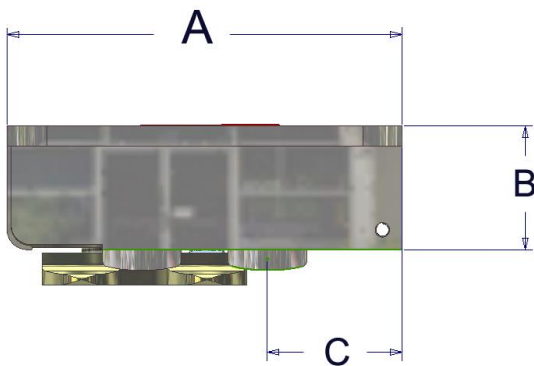


Close



Open

Main Dimensions:



Technical Details:

Dimension:*

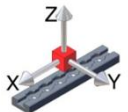
A: 80 mm D: 70 mm
 B: 25 mm E: 4 mm
 C: 27,3 mm F: 30 mm

Weight:

approx. 310 Gramm
 approx. 0,68 Lbs

Load Capacity:**

X < 2.000 daN (4.400 lbs)
 Y < 1.500 daN (3.300 lbs)
 Z < 2.000 daN (4.400 lbs)



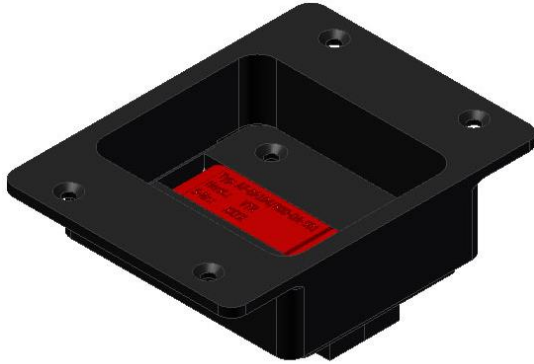
* FOR DETAILS USE DRAWING

**LOADS ARE CONSIDERED WITHOUT MOMENTS

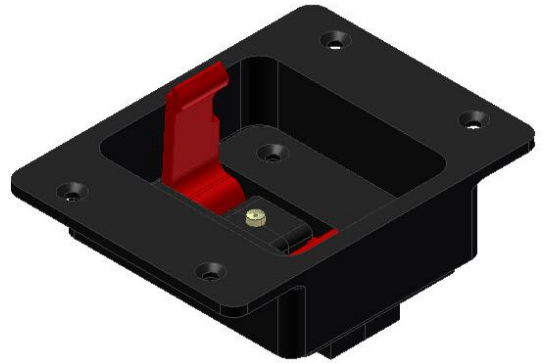
Fitting application (double stud) designed for use on bottom panels (~ 1/2" to 3/4") with a high load to transfer. The housing and all other high loaded members are made from high quality steel. Integration in all interior items based on a structural bottom panel

Consisting of honey comb or aluminum or glass reinforced plastics as: Cabinets, storage houses, galleys, credenza, toilets and also doghouses where access is provided from inside of the cabinet.

AF-BP104-501

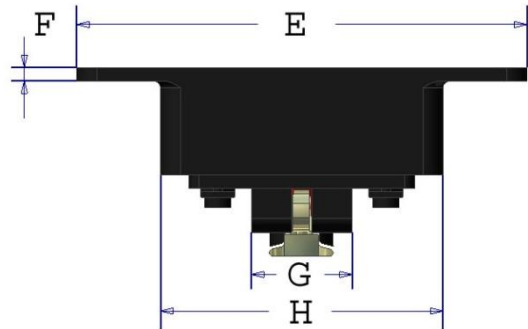
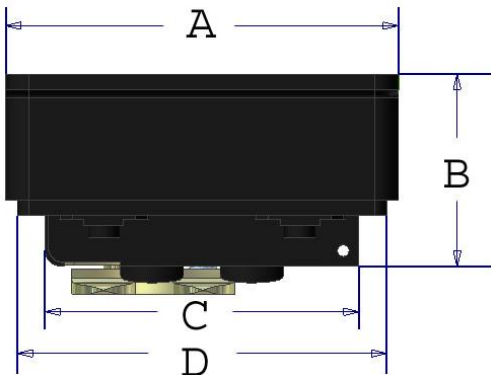


Close

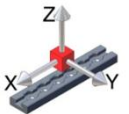


Open

Main Dimensions:



Technical Details:



Dimension:*

A: 100 mm **D:** 94 mm **G:** 30 mm
B: 49 mm **E:** 134 mm **H:** 84 mm
C: 80 mm **F:** 4 mm

Weight:

approx. 610 Gramm
 approx. 1,34 Lbs

Load Capacity:**

X < 1.800 daN (4.000 lbs)
 Y < 1.000 daN (2.200 lbs)
 Z < 1.800 daN (4.000 lbs)

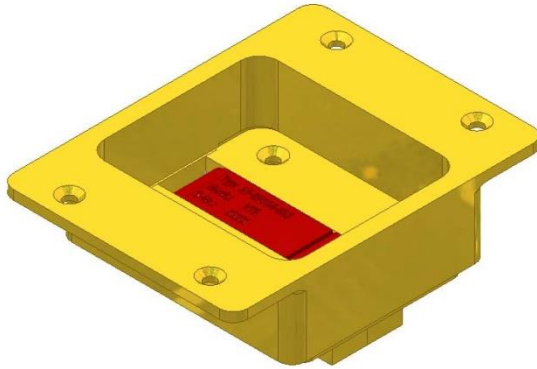
* FOR DETAILS USE DRAWING

**LOADS ARE CONSIDERED WITHOUT MOMENTS

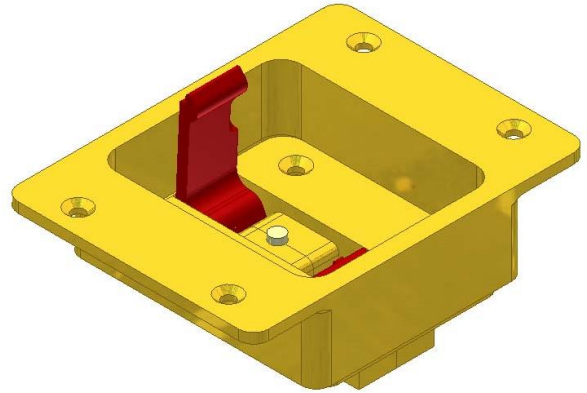
For a further necessity of adjustment the core fitting (BP-104) is mounted in a frame housing which allows X-Y fine adjustment of at least ± 3 mm. The frame is available in two height versions. Fitting application (double stud) designed for use on bottom Panels (~ 1/2 to 1"). Integration in all interior items based on a structural bottom

Panel consisting of honey comb or aluminum or glass reinforced plastics as: Cabinets, storage houses, galleys, credenza, toilets and also doghouses where Access is provided from inside of the cabinet.

AF-BP104-503

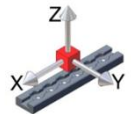
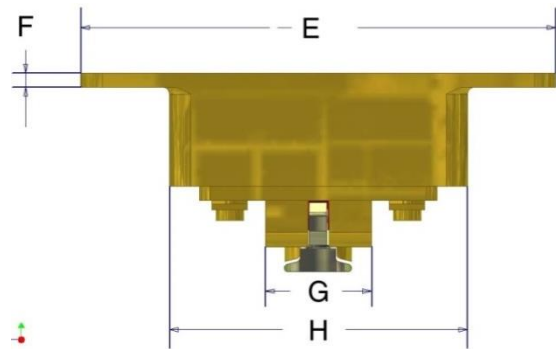
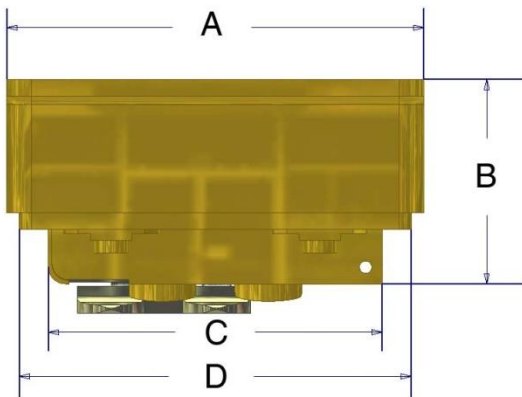


Close



Open

Main Dimensions:



Technical Details:

Dimension:*

A: 100 mm **D:** 94 mm **G:** 30 mm
B: 49 mm **E:** 134 mm **H:** 84 mm
C: 80 mm **F:** 4 mm

Weight:

approx. 1680 Gramm
 approx. 3,7 Lbs

Load Capacity:**

X < 4.000 daN (8.800 lbs)
 Y < 2.500 daN (5.500 lbs)
 Z < 4.000 daN (8.800 lbs)

* FOR DETAILS USE DRAWING

**LOADS ARE CONSIDERED WITHOUT MOMENTS

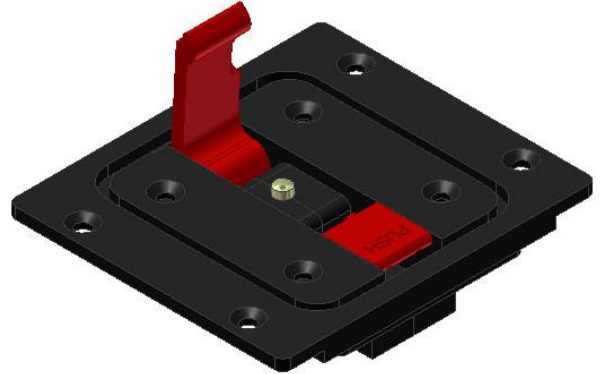
For a further necessity of adjustment the core fitting (BP-104) is mounted in a frame housing which allows X-Y fine adjustment of at least ± 3 mm. The frame is available in two height versions. Fitting application (double stud) designed for use on bottom Panels (~ 1/2 to 1"). Integration in all interior items based on a structural bottom

Panel consisting of honey comb or aluminum or glass reinforced plastics as: Cabinets, storage houses, galleys, credenza, toilets and also doghouses where Access is provided from inside of the cabinet.

AF-BP104-507

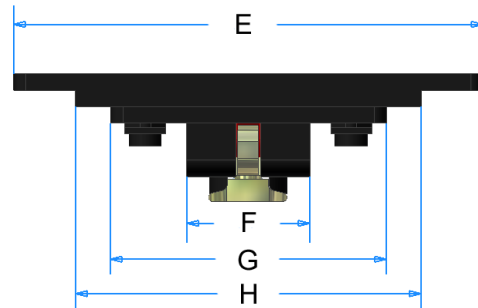
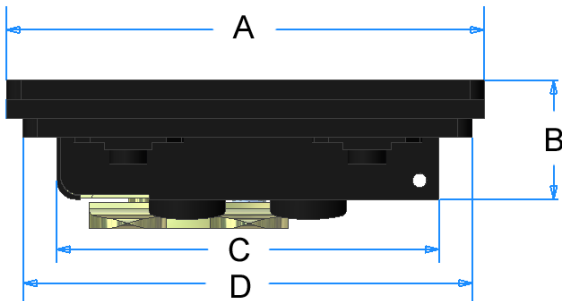


Close

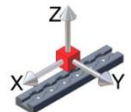


Open

Main Dimensions:



Technical Details:



Dimension:*

A: 100 mm **D:** 84 mm **G:** 67 mm
B: 25 mm **E:** 114 mm **H:** 84 mm
C: 80 mm **F:** 30 mm

Weight:

approx. 470 Gramm
 approx. 1,03Lbs

Load Capacity:**

X < 2.200 daN (5.000 lbs)
 Y < 1.100 daN (2.500 lbs)
 Z < 2.200 daN (5.000 lbs)

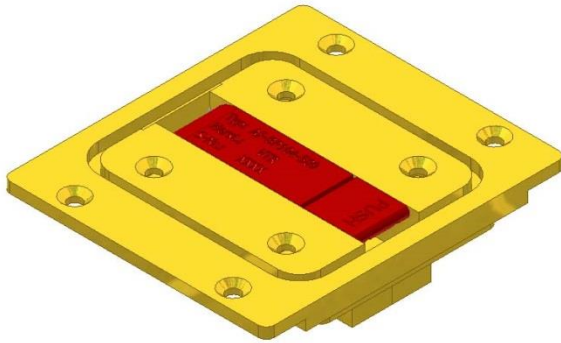
* FOR DETAILS USE DRAWING

**LOADS ARE CONSIDERED WITHOUT MOMENTS

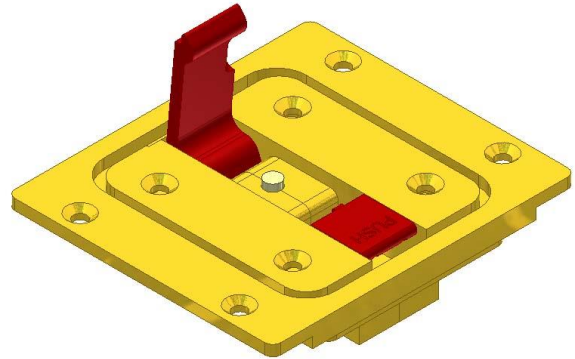
For a further necessity of adjustment the core fitting (BP-104) is mounted in a frame housing which allows X-Y fine adjustment of at least ± 3 mm. The frame is available in two height versions. Fitting application (double stud) designed for use on bottom Panels (~ 1/2 to 1"). Integration in all interior items based on a structural bottom

Panel consisting of honey comb or aluminum or glass reinforced plastics as:
 Cabinets, storage houses, galleys, credenza, toilets and also doghouses where
 Access is provided from inside of the cabinet.

AF-BP104-509

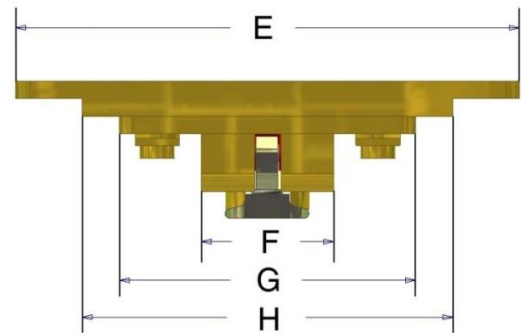
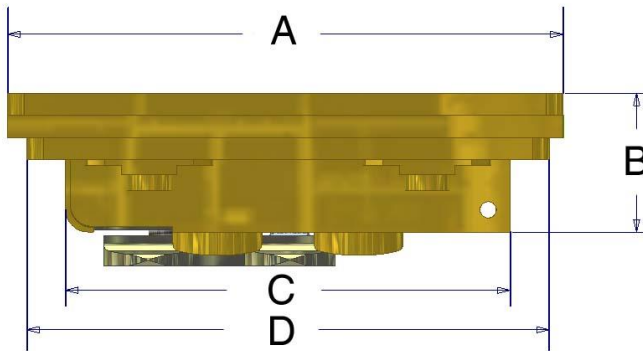


Close

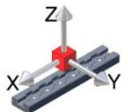


Open

Main Dimensions:



Technical Details:



Dimension:

A: 100 mm **D:** 84 mm **G:** 67 mm
B: 25 mm **E:** 114 mm **H:** 84 mm
C: 80 mm **F:** 30 mm

Weight:

approx. 1300 Gramm
 approx. 2,87 Lbs

Load Capacity:**

X < 2.200 daN (5.000 lbs)
 Y < 1.100 daN (2.500 lbs)
 Z < 2.200 daN (5.000 lbs)

* FOR DETAILS USE DRAWING

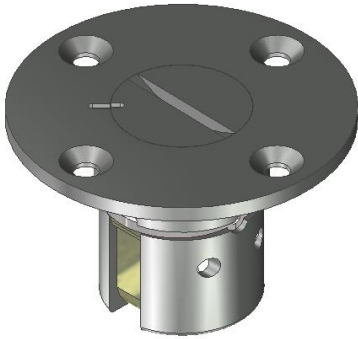
**LOADS ARE CONSIDERED WITHOUT MOMENTS

For a further necessity of adjustment the core fitting (BP-104) is mounted in a frame housing which allows X-Y fine adjustment of at least ± 3 mm. The frame is available in two height versions. Fitting application (double stud) designed for use on bottom Panels (~ 1/2 to 1"). Integration in all interior items based on a structural bottom

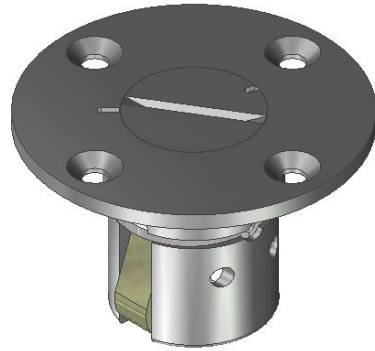
Panel consisting of honey comb or aluminum or glass reinforced plastics as: Cabinets, storage houses, galleys, credenza, toilets and also doghouses where Access is provided from inside of the cabinet.



QC-HP-110

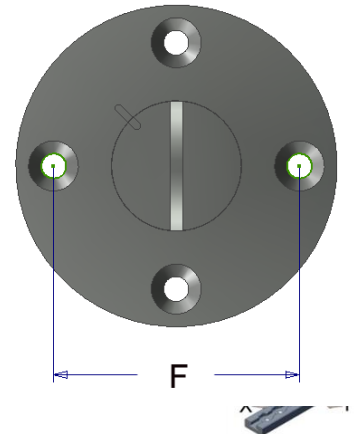
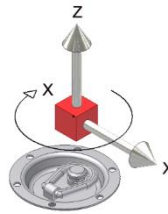
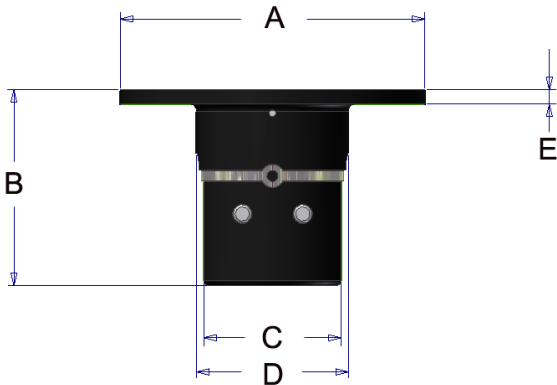


Close



Open

Main Dimensions:



Technical Details:

Dimension:*

A: 64 mm **D:** 32 mm
B: 41 mm **E:** 3 mm
C: 30 mm **F:** 49 mm

Weight:

approx. 110 Gramm
 approx. 0,25 Lbs

Load Capacity:**

X < 600 daN (1.300 lbs)
 Z < 600 daN (1.300 lbs)
 Y < 600 daN (1300 lbs)

* FOR DETAILS USE DRAWING

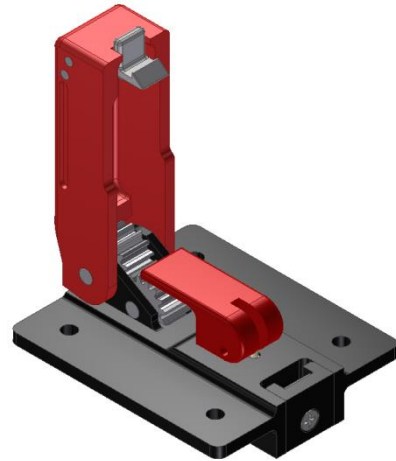
**LOADS ARE CONSIDERED WITHOUT MOMENTS

Quick Change panel fitting for flat panel application on helicopters floors, equipped with Pan fitting (MS21234 / MS21235).

BP110-501

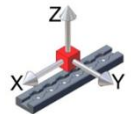
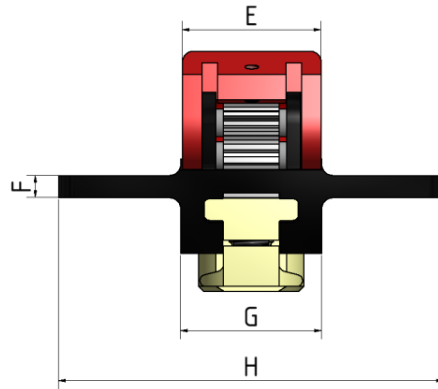
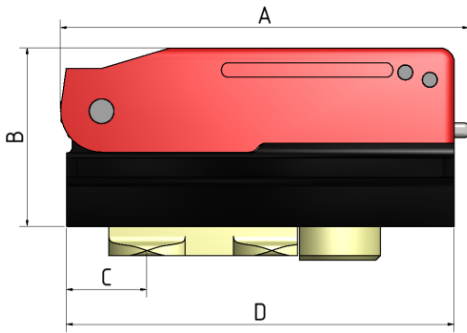


Close



Open

Main Dimensions:



Technical Details:

Dimension:*

A: 84 mm **D:** 79 mm **G:** 25,4 mm
B: 36,40 mm **E:** 25 mm
C: 16,40 mm **F:** 4 mm

Weight:

approx. 278 Gramm
 approx. 0,612 Lbs

Load Capacity:**

X < 2.000 daN (4.400 lbs)
 Y < 1.500 daN (3.300 lbs)
 Z < 2.000 daN (4.400 lbs)

* FOR DETAILS USE DRAWING

**LOADS ARE CONSIDERED WITHOUT MOMENTS

Fitting application (double stud) designed for use on bottom panels. Integration in all interior items based on a structural bottom panel (all materials) where quick access and relocatability (shifting in track direction) is needed without any tools.

SP108-501/503

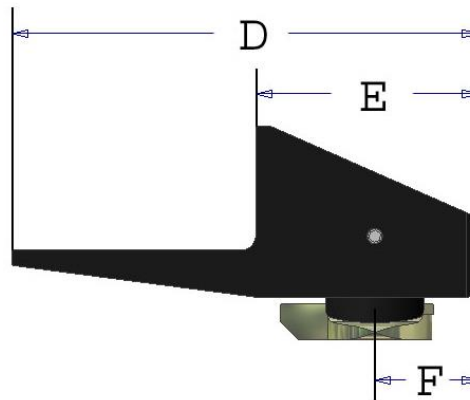
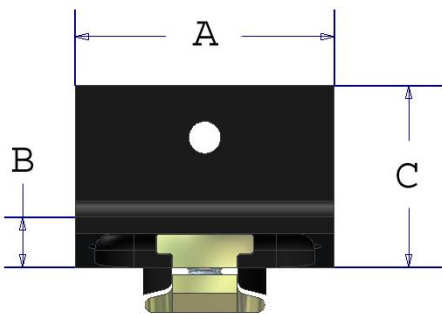


Close



Open

Main Dimensions:



501/503:
different housing
Dimension in C

Technical Details:

Dimension:*

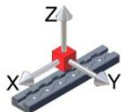
A: 40 mm **D:** 76,5 mm
B: 7,7 mm **E:** 36,5 mm
F: 17 mm **C-501:** 28 mm
C-503: 30 mm

Weight:

approx. 150 Gramm
 approx. 0,35 Lbs

Load Capacity:**

X < 500 daN (1.100 lbs)
 Y < 500 daN (1.100 lbs)
 Z < 500 daN (1.100 lbs)



* FOR DETAILS USE DRAWING

**LOADS ARE CONSIDERED WITHOUT MOMENTS

Fitting application (single stud) designed for lower loads in conjunction with a base plate where equipment or other low weight items shall be QC-fixed in an aircraft. Locking or unlocking is achieved means a coin turning the locker wheel 180°.

BP108-501

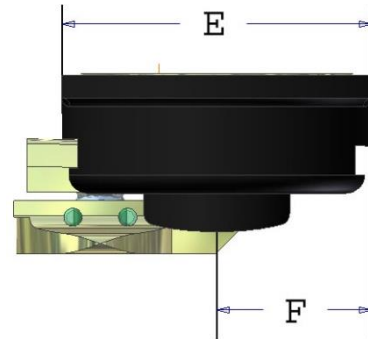
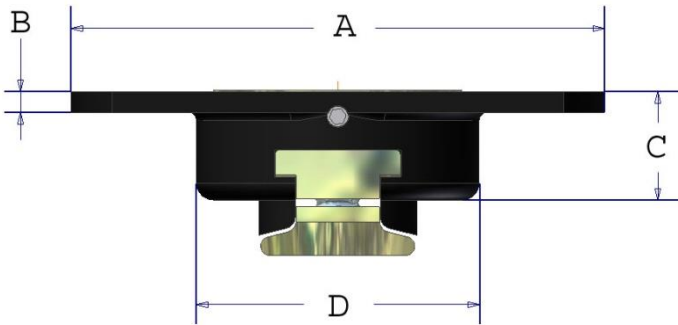


Close



Open

Main Dimensions:



Technical Details:

Dimension:*

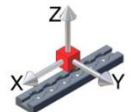
A: 64 mm **D:** 34 mm
B: 2,5 mm **E:** 34 mm
C: 13 mm **F:** 17 mm

Weight:

approx. 75 Gramm
 approx. 0,17 Lbs

Load Capacity:**

X < 1.000 daN (2.200 lbs)
 Y < 800 daN (1.800 lbs)
 Z < 800 daN (1.800 lbs)

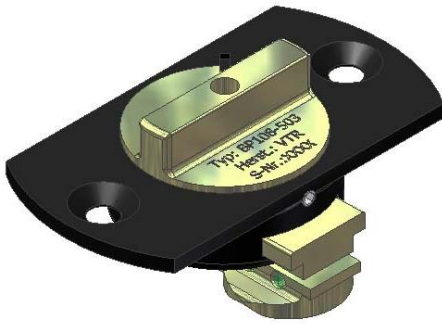


* FOR DETAILS USE DRAWING

**LOADS ARE CONSIDERED WITHOUT MOMENTS

Fitting application (single stud) designed for lower loads in conjunction with a base plate where equipment or other low weight items shall be QC-fixed in an aircraft. Locking or unlocking is achieved means a coin turning the locker wheel 180°. Shape is made for integration in an ½ inch honey comb panel or aluminum panels. Usage on all spots where standard tracks available (on floor, side wall or ceiling). BP108 is especially designed for QC-fixations of equipment in mission or ambulance aircrafts.

BP108-503

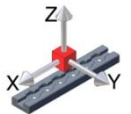
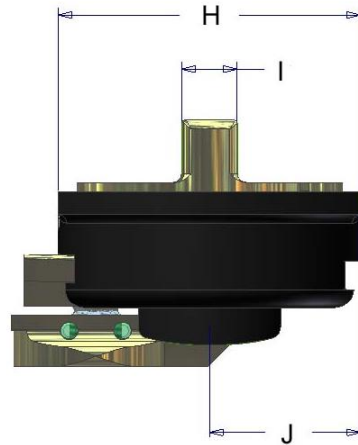
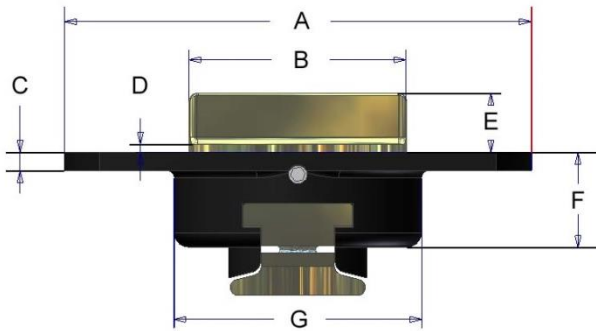


Close



Open

Main Dimensions:



Technical Details:

Dimension:*

A: 64 mm **E:** 8 mm **H:** 34 mm
B: 29,80 mm **F:** 13 mm **I:** 6 mm
C: 2,50 mm **G:** 34 mm **J:** 17 mm
D: 1,30 mm

Weight:

approx. 86 Gramm
 approx. 0,19 Lbs

Load Capacity:**

X < 1.000 daN (2.200 lbs)
 Y < 800 daN (1.800 lbs)
 Z < 800 daN (1.800 lbs)

* FOR DETAILS USE DRAWING

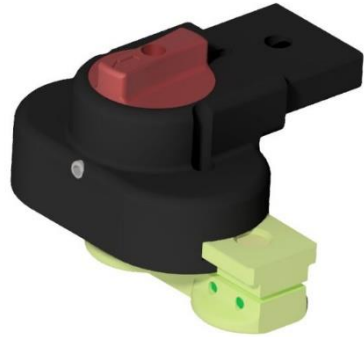
**LOADS ARE CONSIDERED WITHOUT MOMENTS

Fitting application (single stud) designed for lower loads in conjunction with a base plate where equipment or other low weight items shall be QC-fixed in an aircraft. Locking or unlocking is achieved means a coin turning the locker wheel 180°. Shape is made for integration in an ½ inch honey comb panel or aluminum panels. Usage on all spots where standard tracks available (on floor, side wall or ceiling). BP108 is especially designed for QC-fixations of equipment in mission or ambulance aircrafts.

QCR108-501

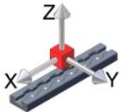
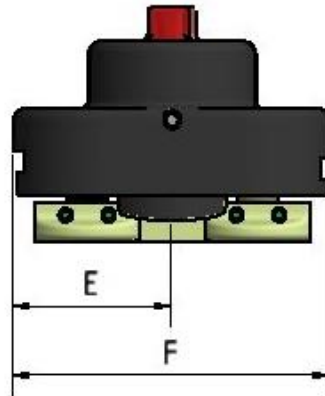
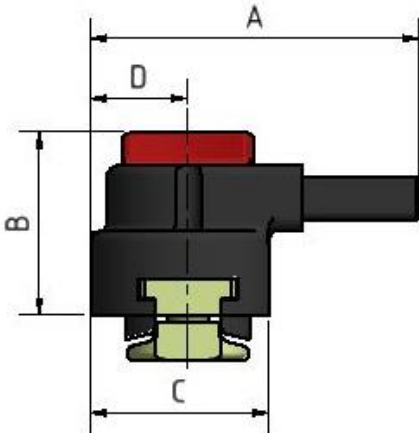


Close



Open

Main Dimensions:



Technical Details:

Dimension:*

A: 50,4 mm E: 23,7 mm
 B: 28 mm F: 47,4 mm
 C: 27,4 mm
 D: 14,9 mm

Weight:

approx. 105 Gramm
 approx. 0,231 Lbs

Load Capacity:**

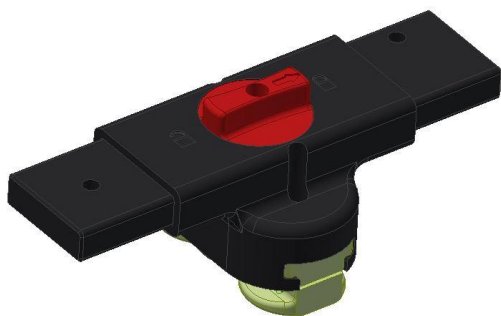
X < 1.500 daN (3.300 lbs)
 Y < 900 daN (2.000 lbs)
 Z < 1.500 daN (3.300 lbs)

* FOR DETAILS USE DRAWING

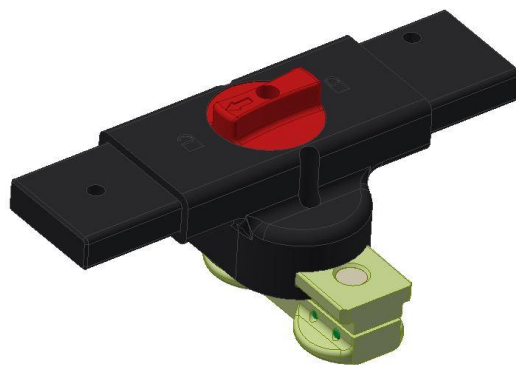
**LOADS ARE CONSIDERED WITHOUT MOMENTS

Fitting application (double stud) for medium loads in conjunction with support profiles (f.e. to carry medical equipment) fixed on tracks mounted to walls or ceilings of AC's or helicopters. Main usage with ambulance outfit.

QCR108-503

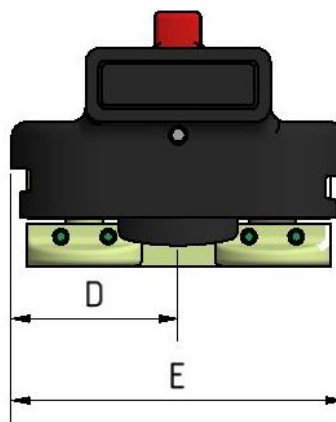
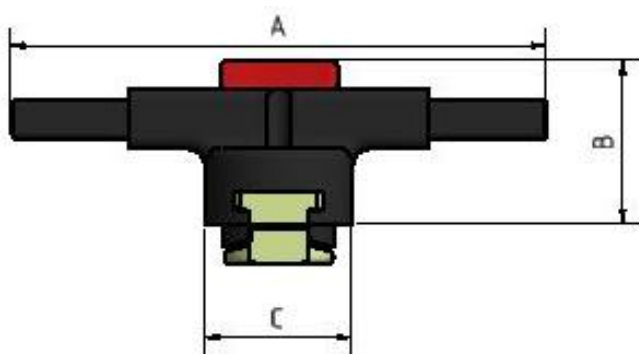


Close



Open

Main Dimensions:



Technical Details:

Dimension:*

A: 91 mm **D:** 22,5 mm

B: 27,8 mm **E:** 45 mm

C: 25 mm

Weight:

approx. 140 Gramm

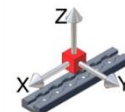
approx. 0,308 Lbs

Load Capacity:**

X < 1.500 daN (3.300 lbs)

Y < 900 daN (2.000 lbs)

Z < 1.500 daN (3.300 lbs)



* FOR DETAILS USE DRAWING

**LOADS ARE CONSIDERED WITHOUT MOMENTS

Fitting application (double stud) for medium loads in conjunction with support profiles on both sides (f.e. to carry medical equipment) fixed on tracks mounted to walls or ceilings of AC's or helicopters. Main usage with ambulance outfit.

QCR109-501/503

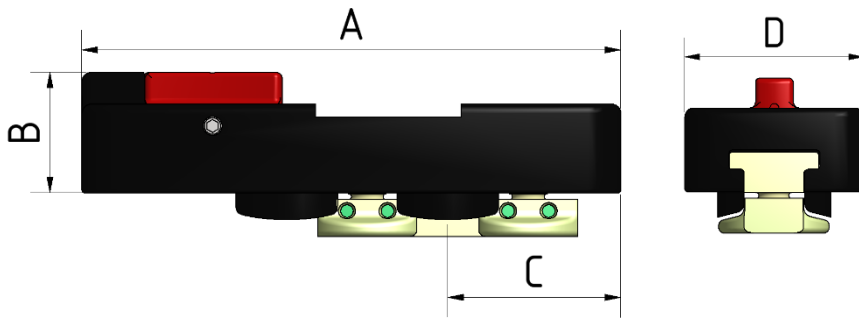


Close

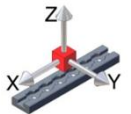


Open

Main Dimensions:



- 503 without slot in housing



Technical Details:

Dimension:*

A: 85 mm **D:** 30 mm

B: 19 mm

C: 27,3 mm

Weight: 145 Gramm

approx. tbd

approx. tbd

Load Capacity:**

X < 1.000 daN (2.200 lbs)

Y < 800 daN (1.800 lbs)

Z < 1.000 daN (2.200 lbs)

* FOR DETAILS USE DRAWING

**LOADS ARE CONSIDERED WITHOUT MOMENTS

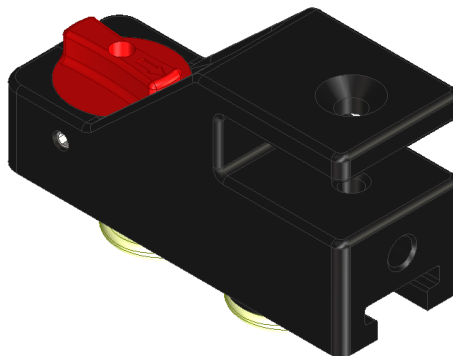
Fitting application for equipment racks provided with ambulance equipped planes or helicopters where vertical tracks are available on the wall.

Fitting takes crossbar for the suspension of medical and other equipment.

QCR110-501

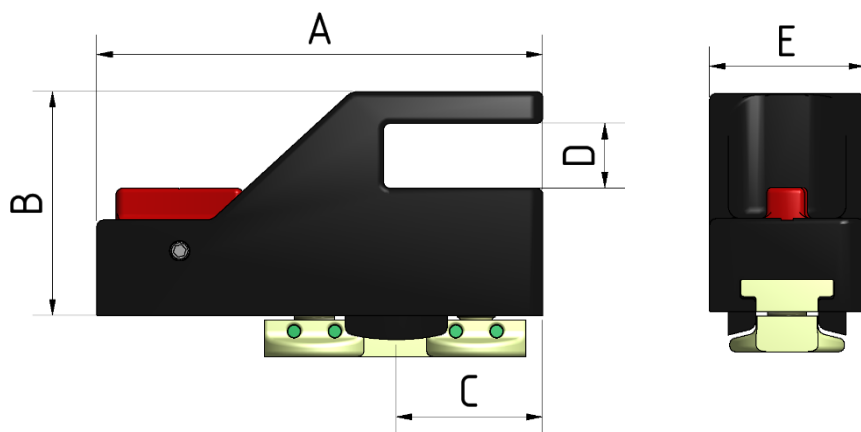


Close



Open

Main Dimensions:



Technical Details:

Dimension:*

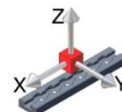
A: 70 mm **D:** 10,2 mm
B: 35,2 mm **E:** 25 mm
C: 23 mm

Weight:

approx. tbd
 approx. tbd

Load Capacity:**

X < 1.500 daN (3.300 lbs)
 Y < 500 daN (1.100 lbs)
 Z < 1.500 daN (3.300 lbs)



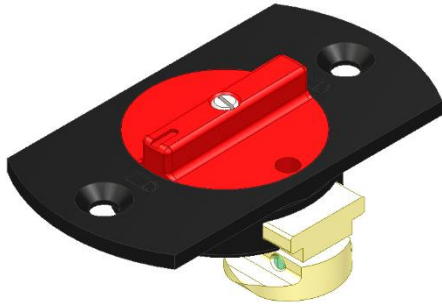
* FOR DETAILS USE DRAWING

**LOADS ARE CONSIDERED WITHOUT MOMENTS

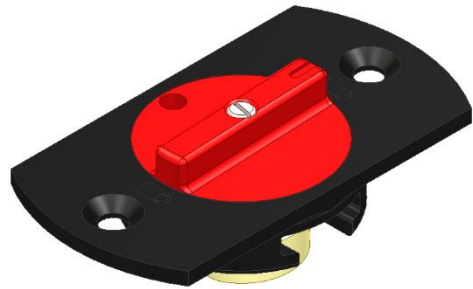
Fitting application for equipment racks provided with ambulance equipped planes or helicopters where vertical tracks are available on the wall.

Fitting takes one (or with slight modification more) extrusion 10x25 for fixation of all kind of medical equipment.
 180° turn locking knob

BP108L-501

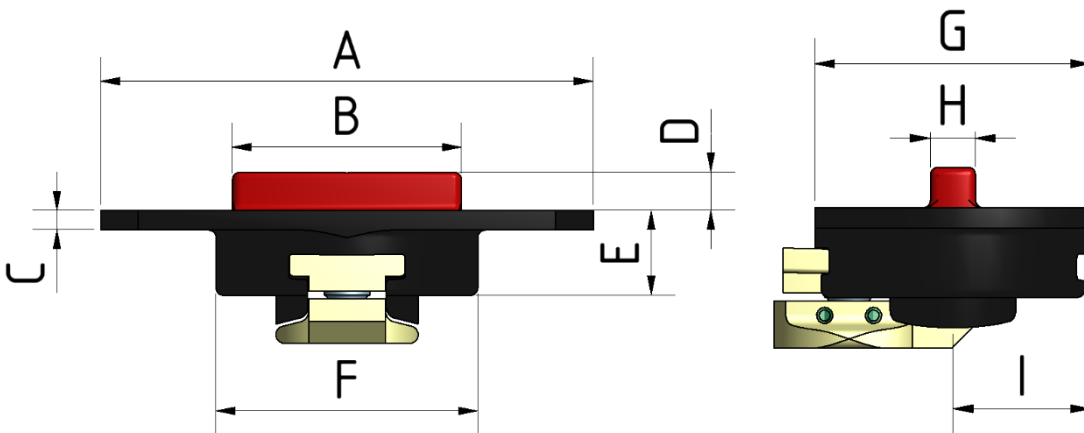


Close



Open

Main Dimensions:



Technical Details:

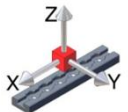
Dimension:*

A: 64 mm E: 11 mm H: 5,5 mm
 B: 29,80 mm F: 34 mm I: 17 mm
 C: 2,50 mm G: 34 mm D: 5 mm

Weight: 53 g

Load Capacity:**

X < 500 daN
 Y < 500 daN
 Z < 500 daN

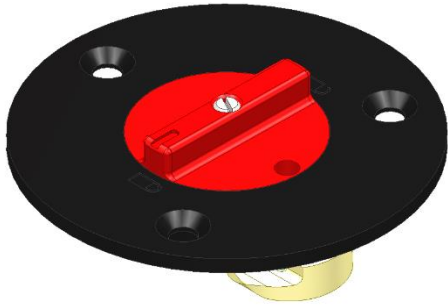


* FOR DETAILS USE DRAWING

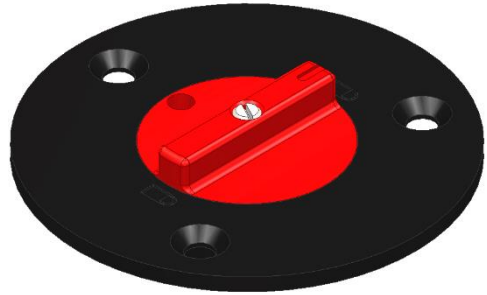
**LOADS ARE CONSIDERED WITHOUT MOMENTS

Fitting application (single stud) designed for lower loads in conjunction with a base plate where equipment or other low weight items shall be QC-fixed in an aircraft. Locking or unlocking is achieved means a coin turning the locker wheel 180°. Shape is made for integration in an 1/2 inch honey comb panel or aluminum panels. Usage on all spots where standard tracks available (on floor, side wall or ceiling). BP108 is especially designed for QC-fixations of equipment in mission or ambulance aircrafts.

BP108L-503

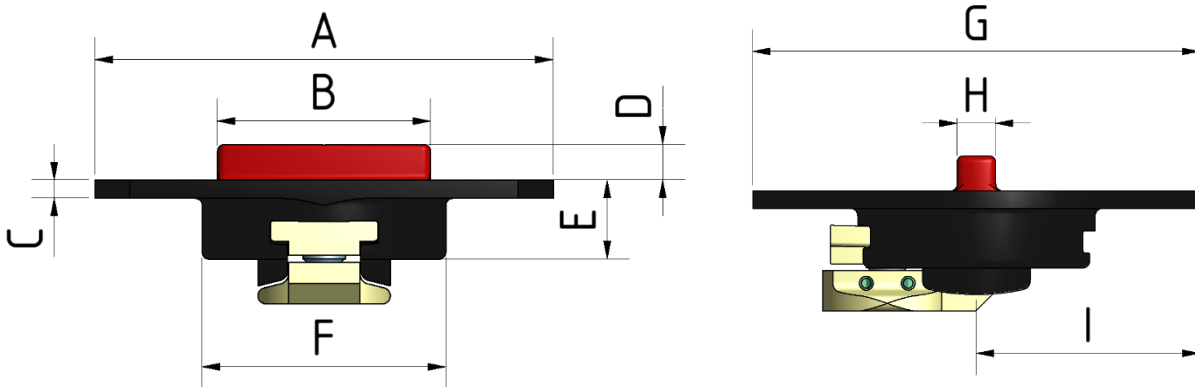


Close



Open

Main Dimensions:



Technical Details:

Dimension:*

A: 64 mm E: 11 mm H: 5,5 mm
 B: 29,80 mm F: 34 mm I: 17 mm
 C: 2,50 mm G: 64 mm D: 5 mm

Weight:

approx. tbd
 approx. tbd

Load Capacity:**

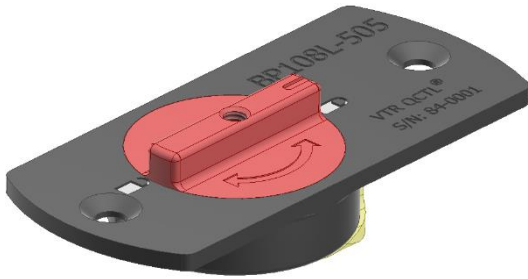
X < 500 daN
 Y < 500 daN
 Z < 500 daN

* FOR DETAILS USE DRAWING

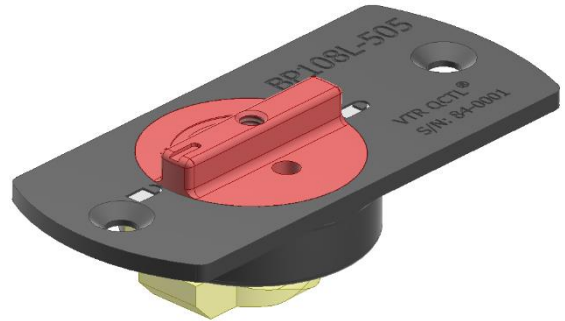
**LOADS ARE CONSIDERED WITHOUT MOMENTS

Fitting application (single stud) designed for lower loads in conjunction with a base plate where equipment or other low weight items shall be QC-fixed in an aircraft. Locking or unlocking is achieved means a coin turning the locker wheel 180°. Shape is made for integration in an ½ inch honey comb panel or aluminum panels. Usage on all spots where standard tracks available (on floor, side wall or ceiling). BP108 is especially designed for QC-fixations of equipment in mission or ambulance aircrafts.

BP108L-505

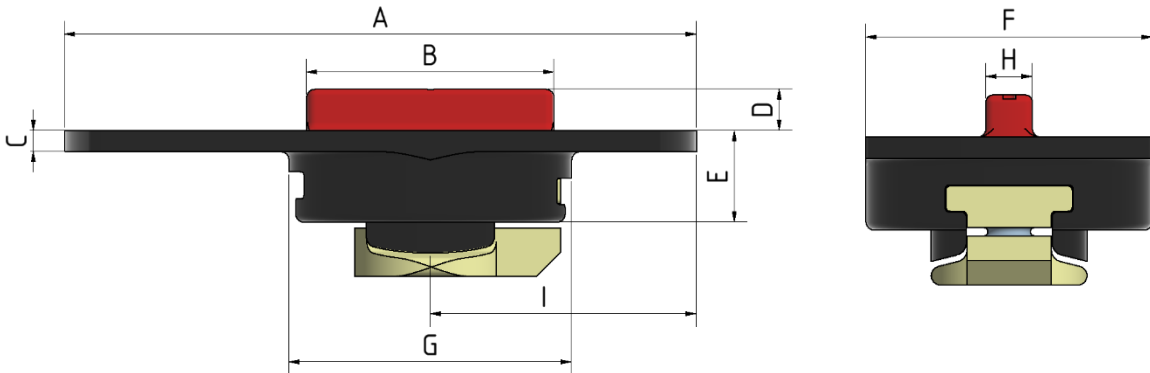


Close



Open

Main Dimensions:



Technical Details:

Dimension:*

A: 76 mm E: 11 mm H: 5,5 mm
 B: 29,80 mm F: 34 mm I: 32 mm
 C: 2,50 mm G: 34 mm D: 5 mm

Weight: 57 g

Load Capacity:**

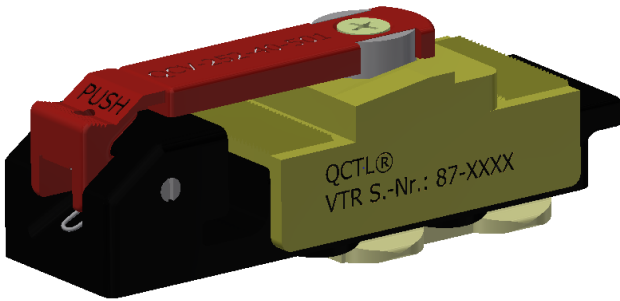
X < 500 daN
 Y < 500 daN
 Z < 500 daN

* FOR DETAILS USE DRAWING

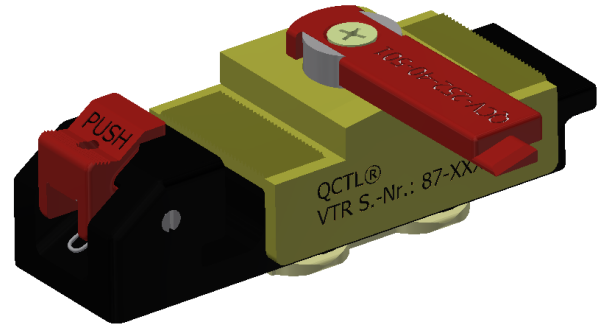
**LOADS ARE CONSIDERED WITHOUT MOMENTS

Fitting application (single stud) designed for lower loads in conjunction with a base plate where equipment or other low weight items shall be QC-fixed in an aircraft. Locking or unlocking is achieved means a coin turning the locker wheel 180°. Shape is made for integration in an ½ inch honey comb panel or aluminum panels. Usage on all spots where standard tracks available (on floor, side wall or ceiling). BP108 is especially designed for QC-fixations of equipment in mission or ambulance aircrafts.

QCV-252-40-501

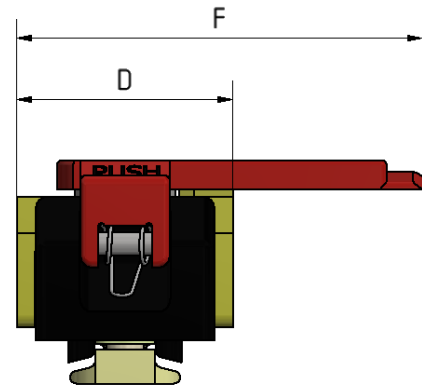
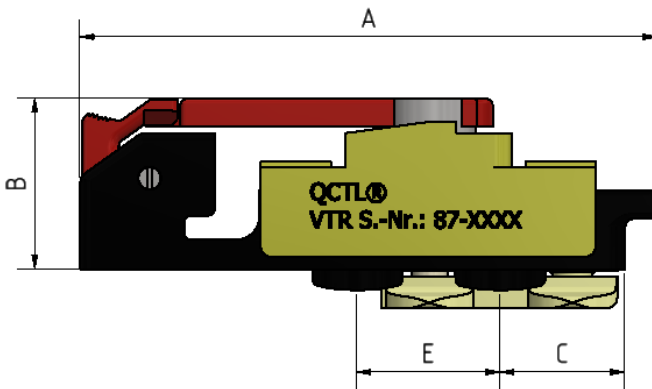


Close



Open

Main Dimensions:



Technical Details:

Dimension:*

A: 106,6 mm **D:** 36,2 mm

B: 30,6 mm **E:** 25,4 mm

C: 22,2 mm **F:** 68,1 mm

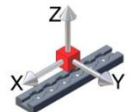
Weight: 317 g

Load Capacity:**

X < 1400 daN (3147 lbs)

Y < 1400 daN (3147 lbs)

Z < 1500 daN (3372 lbs)

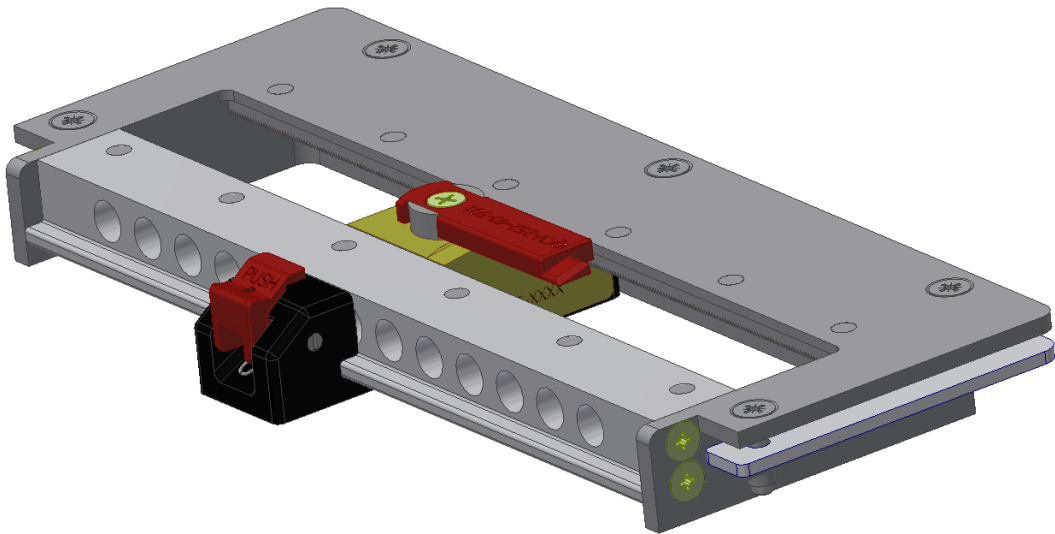
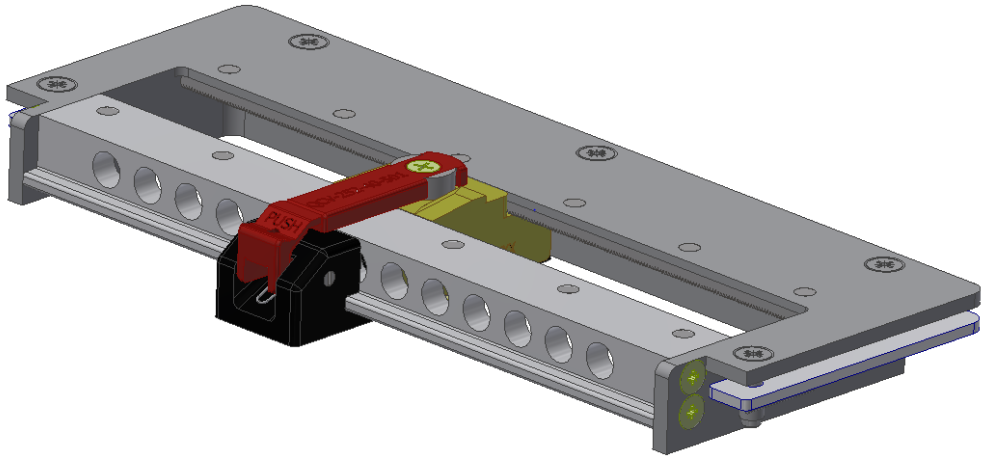


* FOR DETAILS USE DRAWING

**LOADS ARE CONSIDERED WITHOUT MOMENTS

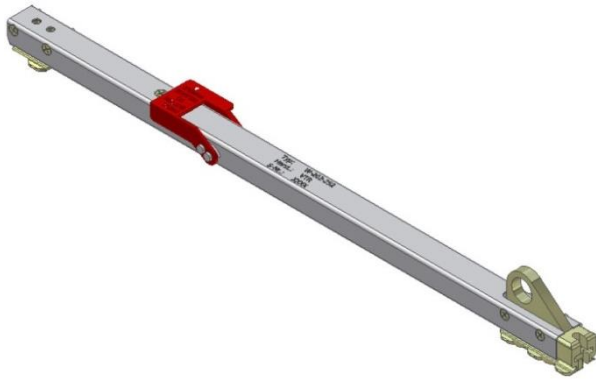
Fitting application (single stud) designed for lower loads in conjunction with a base plate where equipment or other low weight items shall be QC-fixed in an aircraft. Locking or unlocking is achieved means a coin turning the locker wheel 180°. Shape is made for integration in an ½ inch honey comb panel or aluminum panels. Usage on all spots where standard tracks available (on floor, side wall or ceiling). BP108 is especially designed for QC-fixations of equipment in mission or ambulance aircrafts.

QCV-252-40-501

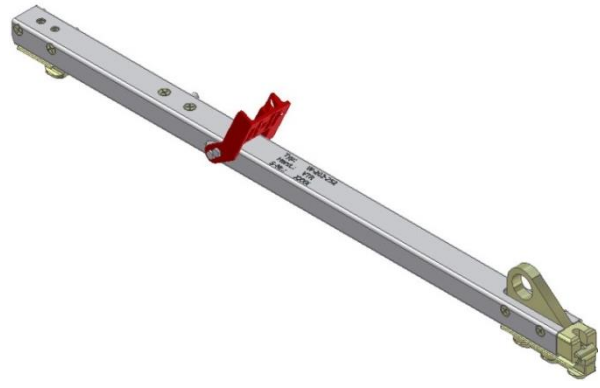


Seat Systems

W-202-252

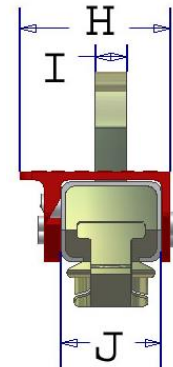
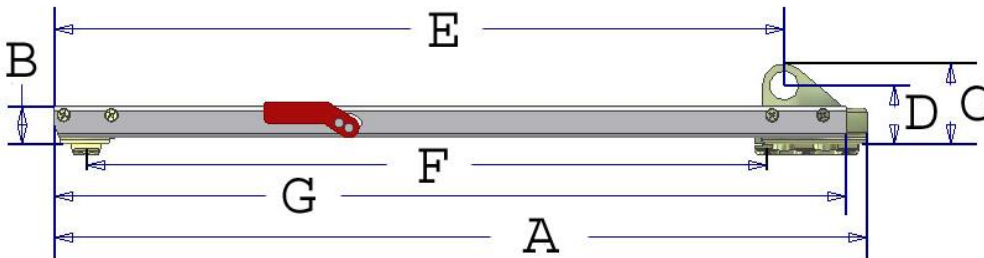


Close



Open

Main Dimensions:



Technical Details:

Dimension:*

A: 525,65 mm	D: 37,5 mm	G: 512 mm
B: 24 mm	E: 471,9 mm	H: 37,5 mm
C: 51,6 mm	F: 18 mm	I: 8 mm
J: 25 mm		

Weight:

approx. 880 Gramm
approx. 1,94 Lbs

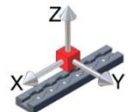
Load Capacity:**

Depending on Customer
Seat Leg Design

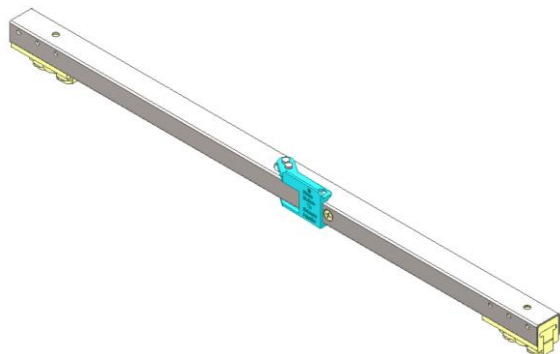
* FOR DETAILS USE DRAWING

**LOADS ARE CONSIDERED WITHOUT MOMENTS

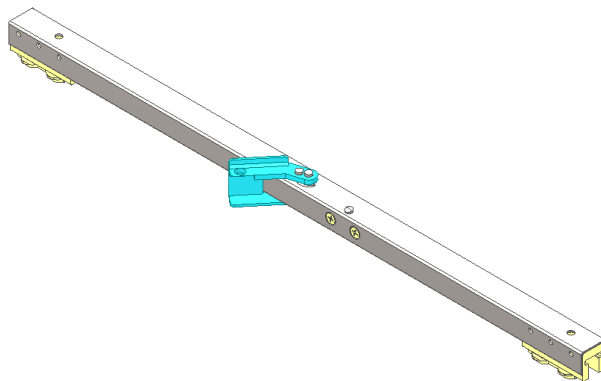
Fitting application designed for typical seat legs (forward and aft) attachment. The fitting design connects forward and aft stud assy with a brace which incorporates the locking lever. The customer may also choose a hidden locking system depending on their seat leg design structure. Aft stud assy comprises a triple stud in combination with a ball bearing. Forward stud assy (single) allows screw attachment. Length could be customized.



OHB-252-100

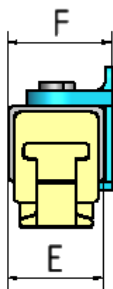
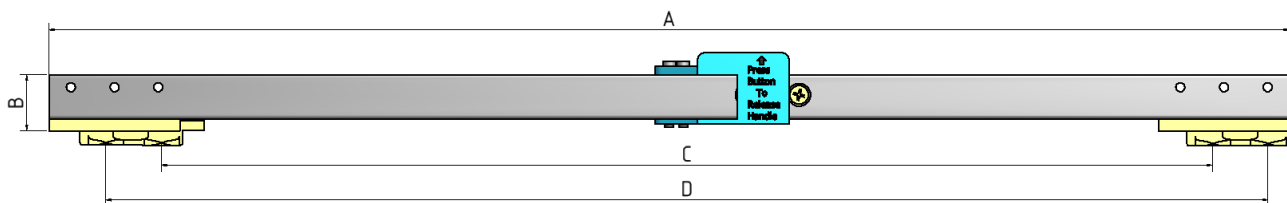


Close



Open

Main Dimensions:



Technical Details:

Dimension:*

A: 568 mm **D:** 532,2 mm

B: 25,4 mm **E:** 25 mm

C: 481,4 mm **F:** 27,2 mm

Weight:

approx. tbd

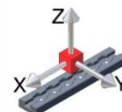
approx. tbd

Load Capacity:**

X < 3.000 daN (6.700 lbs)

Y < 2.000 daN (4.500 lbs)

Z < 3.000 daN (6.700 lbs)



* FOR DETAILS USE DRAWING

**LOADS ARE CONSIDERED WITHOUT MOMENTS

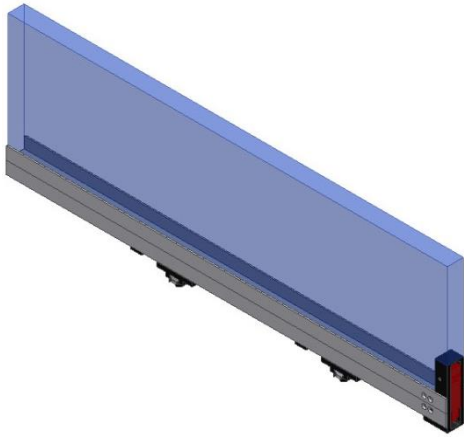
Fitting application for installing multi shape devices on standard seat tracks on floor or wall. Providing double stud on each side up to 2000 daN per side. Dimensions A / B / C are variable acc customer request.

Single side latch operation for locking

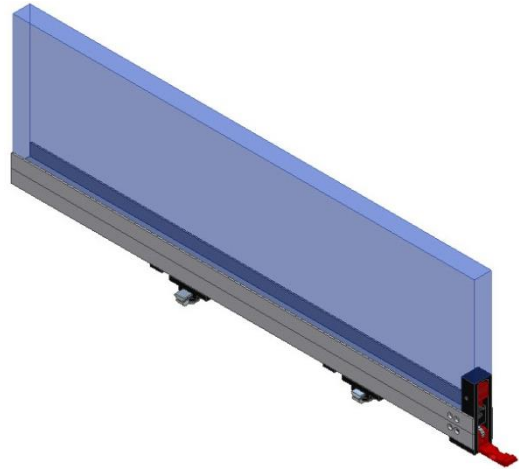
A min = 200 mm

Wall Divider Systems

BH-252

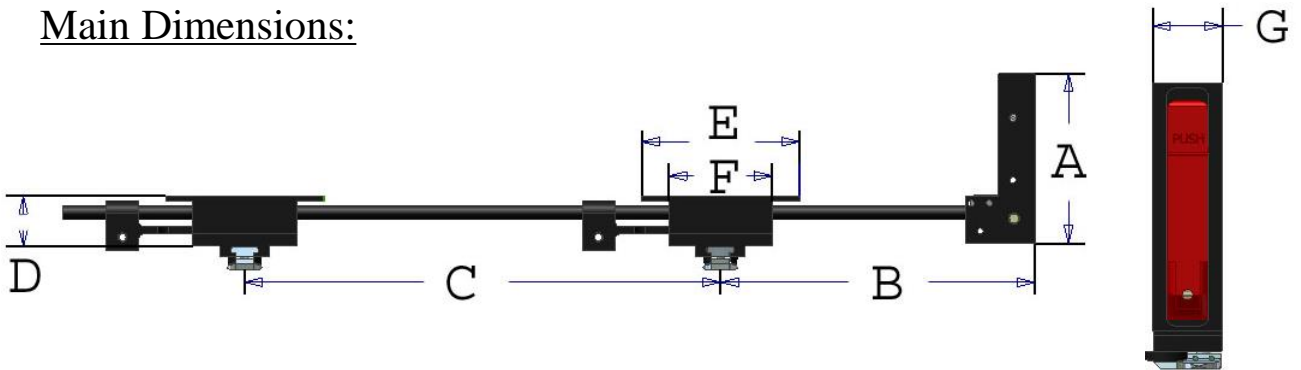


Close



Open

Main Dimensions:



Technical Details:

Dimension:*

A: 93 mm

B: min. 101,5 mm /max. Variabel

C: min. 162 mm /max. Variabel

D: 27,5 mm

E: 87 mm

F: 57 mm

G: 25,8 mm

Weight:

Approx 600 Gramm

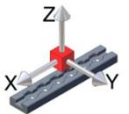
approx. 1,32 Lbs

Load Capacity:**

X < 1.500 daN (3.300 lbs)

Y < 1.000 daN (2.200 lbs)

Z < 1.500 daN (3.300 lbs)



* FOR DETAILS USE DRAWING

**LOADS ARE CONSIDERED WITHOUT MOMENTS

Conventional Track Attachment Designed for Bulkhead QC-Application.

Consists of:

- Inboard Actuating Unit
- Locker (1 Per Track) Sustaining 2000 lbs
- The QCTL® System is Flexibel to different Lateral Track Locations
- No ½ inch Shifting
- Connecting Rod (L=TBD)
- Built in Anti Rattle

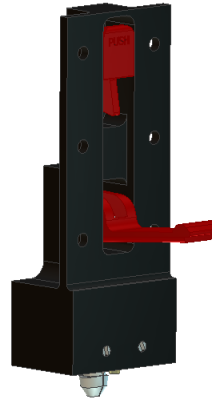
On the Lower Edge of the Bulkhead a small Channel Provides Space to fit the System

Hole Application

QCH-500

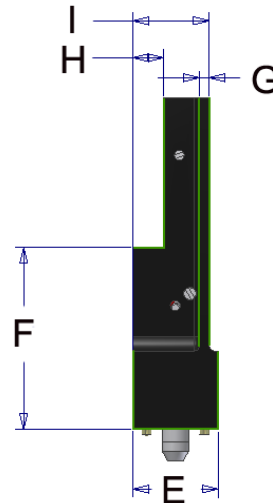
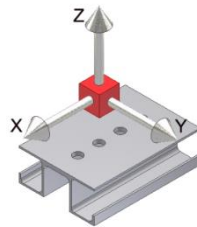
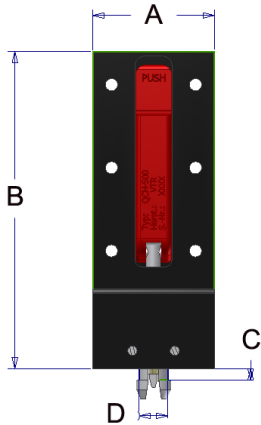


Close



Open

Main Dimensions:



Technical Details:

Dimension:*

A: 51 mm **E:** 34,15 mm **D:** 10,60 mm
B: 134 mm **F:** 73,30 mm **I:** 30,65 mm
C: 4,80 mm **G:** 4 mm **H:** 12,45 mm

Weight:

Approx 320 Gramm
 approx. 0,7 Lbs

Load Capacity:**

X < 2000 daN
 Y < 1500 daN
 Z < 2500 daN

* FOR DETAILS USE DRAWING

**LOADS ARE CONSIDERED WITHOUT MOMENTS

Fitting application designed for all interior items to be fixed in all directions on the new titanium tracks with holes of 0.4375" (11,1mm) diameter and 1" (25,4mm) spacing.

Exampels & References



QC-200-CVF



Exampels & References

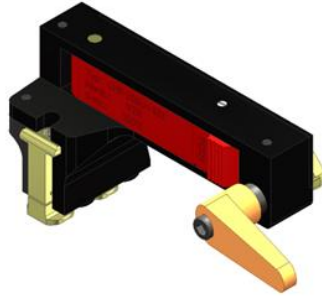


QC-200-CVF

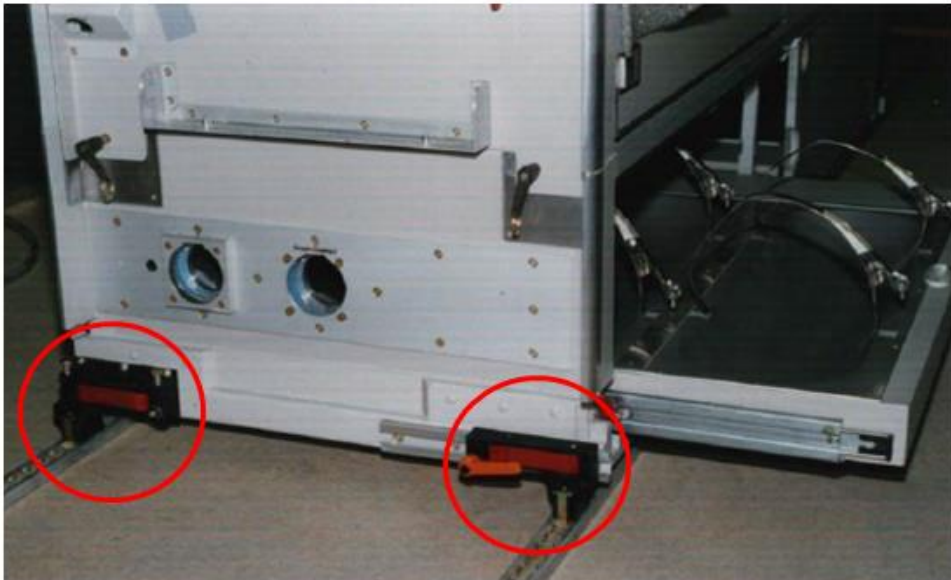


Exampels & References

CHF-106LH-501

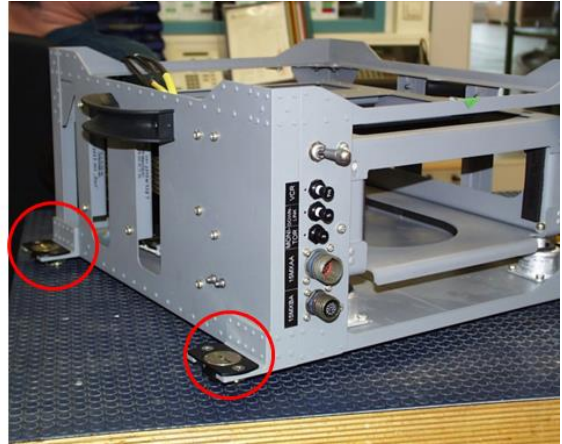


CHF-106LH-502

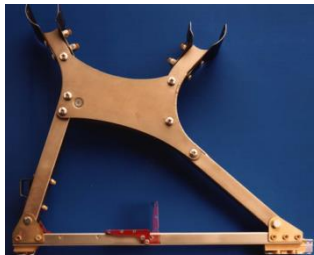
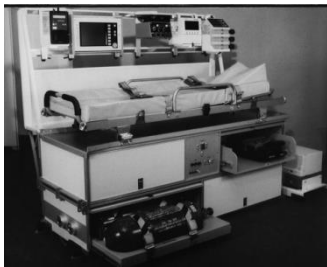
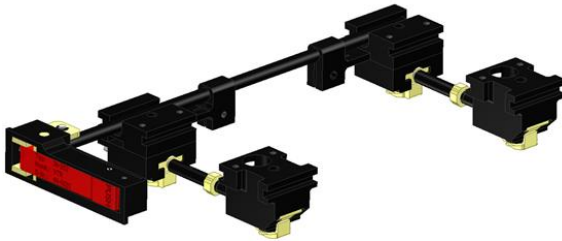


Exampels & References

BP108-503



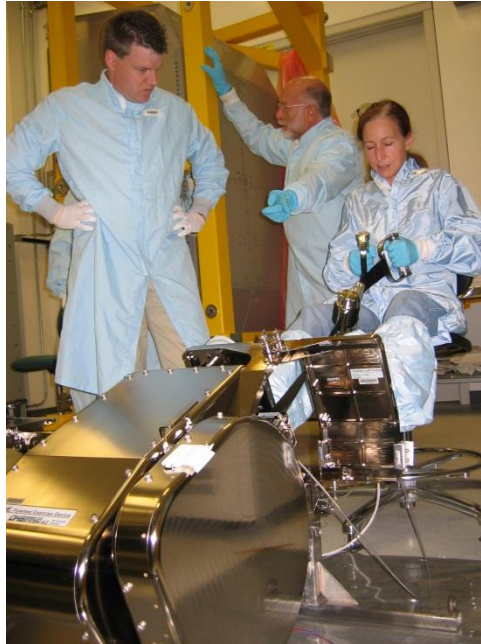
IN-252



QCTL® Anwendung im ISS Columbus Labor

z.B. die Fußbodenbefestigung des Trainingsgerätes FLYWHEEL EXERCISE DEVICE für die Astronauten (wurde am 11.02.2008 mit Columbus an die ISS angedockt).

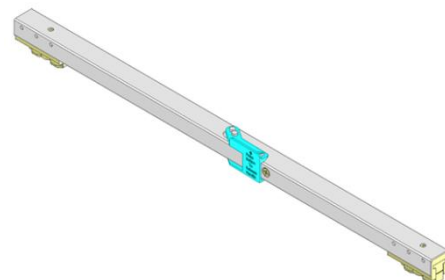
Chefkonstrukteur Peter Schneider bei der Einweisung des Gerätes



Astronautin Marsha Sue Ivins beim Test des Trainingsgerätes für die Raumstation ISS



QCTL® Type OHB-252-100 im ISS Columbus Labor



Fotos: mit freundlicher Genehmigung von OHB-System AG, Bremen und ESA



Contact



Verbindungs-Techniken-Rüther
Tackweg 41
47918 Tönisvorst (Germany)

Phone: +49 2151 - 701503

Fax: +49 2151 - 701576

E-Mail: info@vtr-ruether.de

Web: www.vtr-ruether.de

Office

Mo-Thu: 8:00am to 4:30pm

Friday: 8:00am to 3:30pm