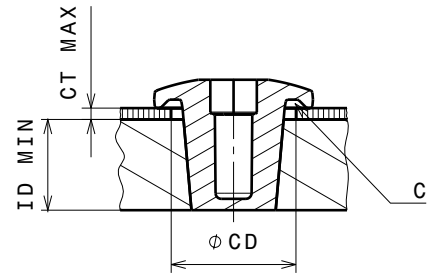
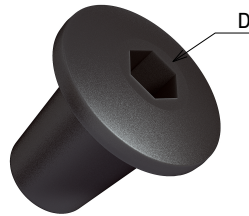
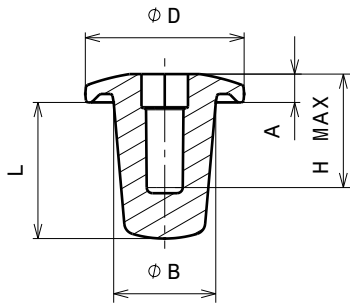


# EJOT TSSD® Z004



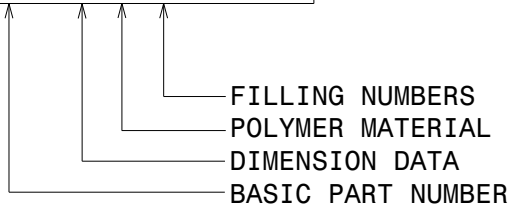
DIMENSION DATA (DIMENSIONS IN INCH, BRACKETS ARE IN MILLIMETER, MASS IN GRAM)									
CODE	D	L	A	B	ID MIN	CT MAX	CD	MASS	TOOLING
<b>01</b>	.551 (14.0)	.472 (12.0)	.098 (2.5)	.354 (9.0)	.433 (11.0)	.079 (2.0)	.433 (11.0)	1.15	T-Z004-01

POLYMER MATERIAL				
CODE	MATERIAL	TRADE NAME	COLOR	SPEC.
<b>1</b>	PA66 GF35	AKROLOY PA K17 FR BLACK (5762)	BLACK	-

### NOTES:

1. THE INSTALLATION PARAMETERS ARE DEPENDENT OF THE COMPONENT PART MATERIAL AND HAVE TO BE DETERMINED BEFORE USE.
2. DECREASING ID MIN LEADS TO A SMALLER H. THE INSTALLATION PARAMETERS HAVE TO BE FITTED.
3. TOLERANCES OF D, L AND A:
  - D= ±.01 (±0.25)
  - L= ±.02 (±0.5)
  - A= ±.01 (±0.25)
4. DIMENSION IN INCH UNLESS VALUES IN BRACKETS ARE IN MILLIMETER. DIMENSION OF MASS IS GRAM.
5. THE MASS APPLIES TO THE UNINSTALLED PRODUCT AND IS EXTRACTED FROM THE CAD-MODEL.
6. LABEL 'D' (GEOMETRY FOR INSTALLATION TOOL) IS AT THE DISCRETION OF THE MANUFACTURER.
7. LABEL 'C' (FLUTING GEOMETRY) IS AT THE DISCRETION OF THE MANUFACTURER.
8. THE DATASHEET DOES NOT REPLACE ORIGINAL SINGLE PART DRAWINGS.
9. THE DIMENSIONS ARE EXTRACTED FROM CAD-MODEL.
10. THIS FASTENING ELEMENT IS USED FOR DIRECT CLAMPING AS SHOWN IN THE RIGHT FIGURE ON THE TOP.

EXAMPLE PART NUMBER  
**Z004 01 1 000**



FOR THIS DRAWING WE RESERVE ALL RIGHT. WITHOUT OUR PERMISSION IT MAY NEITHER BE COPIED NOR MADE ACCESSIBLE TO THIRD PERSONS. ALL PATENT, TRADEMARK AND OTHER RIGHT IN AND TO THIS DRAWING AND DESIGN ARE EXPRESSLY RESERVED BY EJOT.

ISSUE	MODIFICATION BY CAD ONLY			DATE	CHANGED
CONSTRUCTED	05.09.17	N.Mueller	TITLE	GENERAL PLASTIC TOLERANCES DIN 16742-TG6 DIMENSIONS IN INCH (MM)	
DRAWN	05.09.17	N.Mueller	<b>EJOT TSSD® WITH HEAD</b>		
APPROVED	05.09.17	D.Kittel			
<b>EJOT®</b>	CAD SYSTEM CATIA V5 R24	DOCUMENT NO. EJOT 6170133	PRODUCT GROUP <b>Z004</b>	VERSION <b>00</b>	SCALE <b>3:2</b>
				ORIGINAL <b>A4</b>	