



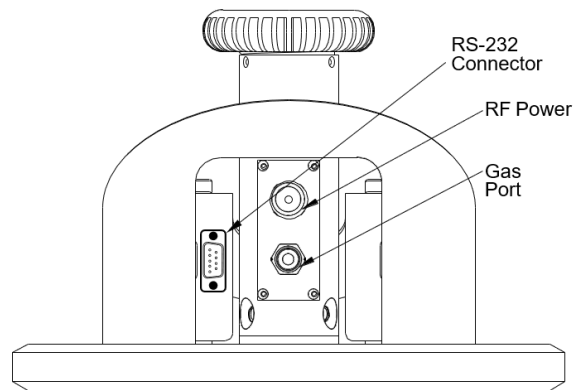
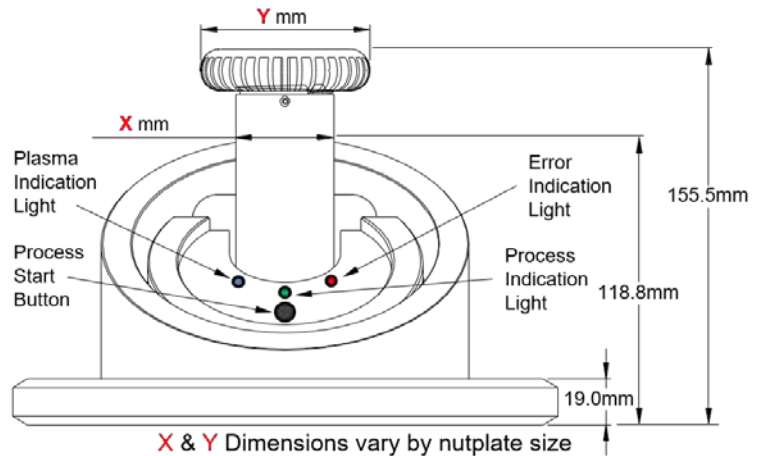
Product Description

- Cleans and activates nutplates in seconds
- Easily integrates into operator workflow
- Maximizes nutplate adhesive bond strength
- Strong bonds achieved regardless of nutplate age
- Eliminates nutplate bond failures



Product Specifications

Item	Specifications
Dimensions (W x D x H)	226.0 x 226.0 x 155.5 mm (8.90 x 8.90 x 6.12 in)
X Dimensions	40.6 – 50.2 mm (1.60 – 1.98 in)
Y Dimensions	70 – 102 mm (2.76 – 4.02 in)
Weight	3.5 kg (7.72 lbs)
RF Cable Length	2.44 m (8.0 ft) or 6.1 m (20 ft)
Recommended RF Power	80 W - 150 W (varies by nutplate size)
Optimum Treatment Time	3 - 7 seconds
Primary Gas	Helium
Process Gas	Oxygen



North America – Headquarters

2631 Manhattan Beach Blvd. Redondo Beach, CA 90278
Ph: +1 (310) 558-0770 sales@surfxtechnologies.com

Europe

Ph: +49 813 4557 0012 (Germany)
alex.wanninger@novel-tec.de

