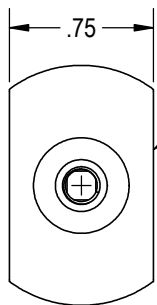
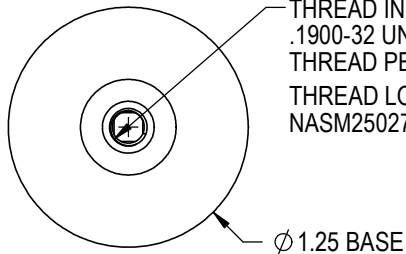
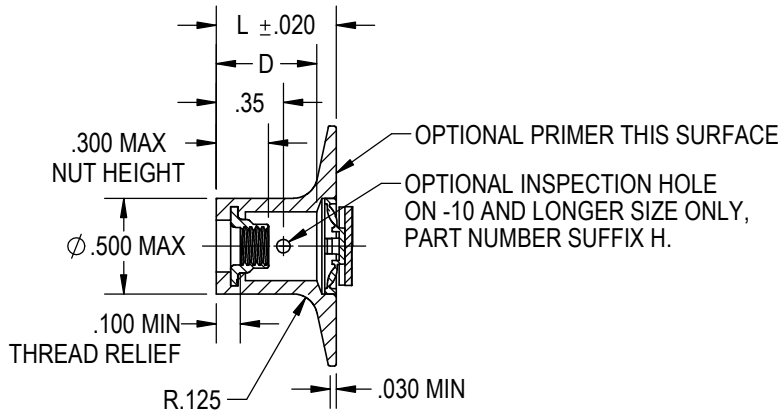


THREAD INSERT
.1900-32 UNJF-3B
THREAD PER AS8879.
THREAD LOCK PER
NASM25027.

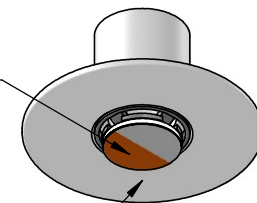


FOR OPTIONAL TRIMMED
BASE ADD T SUFFIX TO
PART NUMBER.



PRESURE SENSITIVE
ADHESIVE HOLDS STANDOFF
WHILE ADHESIVE CURES.

STANDOFF ATTACHED BY
ADHESIVE APPLIED TO THIS SURFACE.



STANDOFF MATERIAL

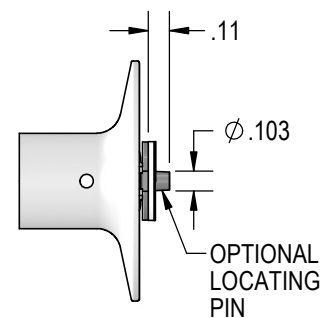
CODE	MATERIAL	SPEC.
K	PEKK, 30% GLASS REINFORCED	CBMS-104
P	PEEK, 60% GLASS REINFORCED	CBMS-103
U	PEI, 30% GLASS REINFORCED	CBMS-102
V	PEI, 40% GLASS REINFORCED	CBMS-101

THREAD INSERT MATERIAL AND FINISH DATA

CODE	MATERIAL	SPEC.	PASSIVATE	COPPER PLATE	DRI-FILM LUBE
CR	A-286 CRES	AMS 5525, 5726, 5732, 5737	AMS 2700	AMS 2418	AS5272

LENGTH L DATA (LENGTH CODE IN 1/16 OF AN INCH)

CODE	8	9	10	11	12	13	14	15	16	18	20	22	
L	.500	.562	.625	.687	.750	.812	.875	.937	1.000	1.125	1.250	1.375	
(D MIN)	.380	.437											.472



EXAMPLE PART NUMBER

CB4512 K 3 CR 10 P H T LP

OPTIONAL LOCATING PIN
OPTIONAL TRIMMED BASE - .75
OPTIONAL Ø .062-.070 INSPECTION HOLE
OPTIONAL MIL-PRF-85582 BASEPLATE PRIMER
STANDOFF LENGTH L - .625
THREAD INSERT MATERIAL - A-286 CRES
THREAD SIZE - .1900-32 UNJF-3B
STANDOFF MATERIAL - PEKK, 30% GLASS REINFORCED
BASIC PART NUMBER

UNLESS OTHERWISE SPECIFIED, ALL
DIMENSIONS ARE IN INCHES AND TOLERANCES
ARE AS SHOWN BELOW.
DIMENSIONAL TOLERANCES AND SYMBOLS
PER ANSI Y14.5M-1982.

THE PARTS SHOWN IN THIS DRAWING ARE PROPRIETARY
AND MAY BE THE SUBJECT OF ISSUED UNITED STATES
AND FOREIGN PATENTS AND PATENTS PENDING.
UNAUTHORIZED REPRODUCTION AND/OR DISTRIBUTION
OF THIS DRAWING IS SPECIFICALLY PROHIBITED.

**CLICK
BOND**

2151 LOCKHEED WAY
CARSON CITY, NEVADA 89706

		APPROVALS	DATE
ANGLES	±1°	DRAWN GTP	24JUL18
.XX	±.03	CHECKED <i>D.C. Carter</i>	24JUL18
.XXX	±.010	RELEASED B.Khodnegah	24JUL18
.XXXX	±.001	REVISED GTP	24JUL18

TITLE
STANDOFF, LOCKING THREAD, COMPOSITE

SIZE	CAGE CODE	DWG. NO.	REV.
A	66530	CB4512	1
SCALE: 1:1		24JUL18	SHEET 1 OF 1