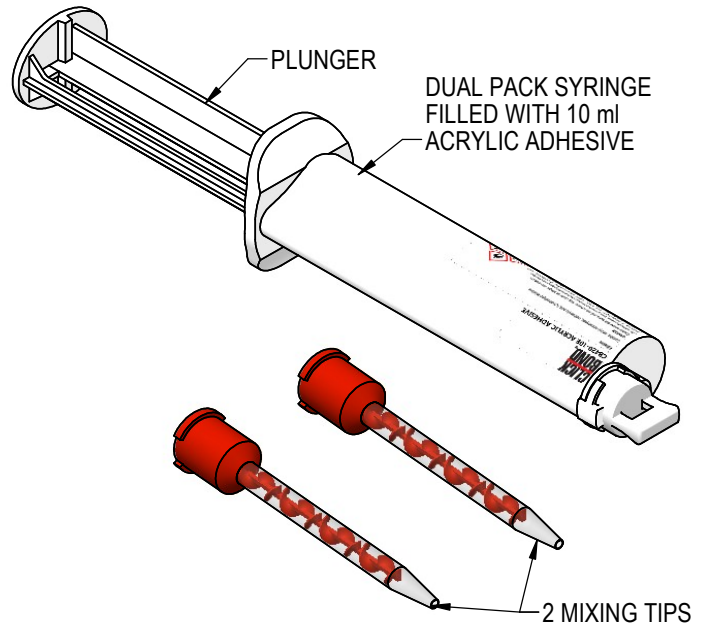
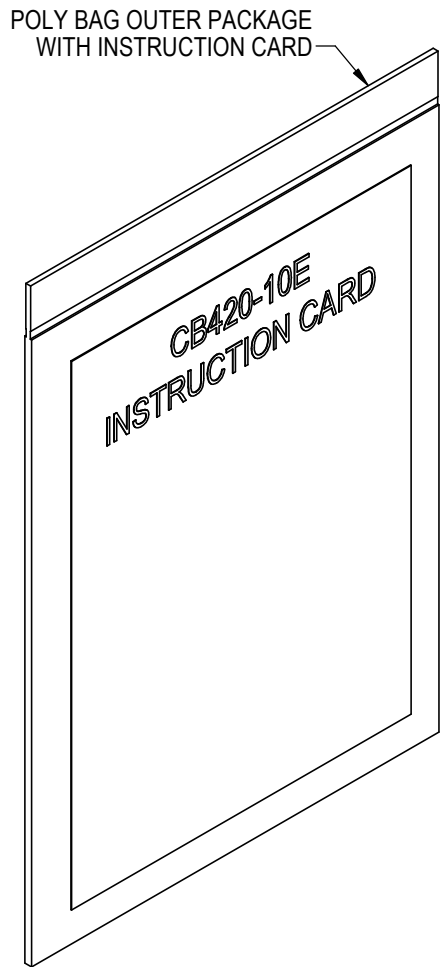


NOTES (EXCEPT AS SHOWN):

1. MATERIAL: ACRYLIC ADHESIVE, TWO PART, ROOM TEMPERATURE CURE
2. PACKAGE: DUAL PACK SYRINGE
3. CONTENTS: 10 MILLILITERS OF ACRYLIC ADHESIVE, TWO PART, PRE-MEASURED
4. WORKING TIME: 4-6 MINUTES AT 75 ° F (SMALL AMOUNTS)
5. CURE TIME AT 75 °F: 75% STRENGTH AFTER 15-18 MINUTES, FULL CURE AFTER 24 HOURS
6. HANDLING INSTRUCTIONS: DO NOT FREEZE. DO NOT STORE ABOVE 100 °F.



KIT CONTENTS:

1. DUAL PACK SYRINGE FILLED WITH 10 ml ACRYLIC ADHESIVE
2. PLUNGER
3. TWO MIXING TIPS
4. INSTRUCTION CARD

PART NUMBER
CB420 - 10 E

REACH COMPLIANT VERSION
 10 ml DUAL PACK SYRINGE
 BASIC PART NUMBER

UNLESS OTHERWISE SPECIFIED, ALL DIMENSIONS ARE IN INCHES. DIMENSIONAL TOLERANCES AND SYMBOLS PER ANSI Y14.5M-1982.

THE PARTS SHOWN IN THIS DRAWING ARE PROPRIETARY AND MAY BE THE SUBJECT OF ISSUED UNITED STATES AND FOREIGN PATENTS AND PATENTS PENDING. UNAUTHORIZED REPRODUCTION AND/OR DISTRIBUTION OF THIS DRAWING IS SPECIFICALLY PROHIBITED.



2151 LOCKHEED WAY
 CARSON CITY, NEVADA 89706

APPROVALS	DATE
DRAWN GTP	26MAY22
CHECKED <i>DD Carter</i>	26MAY22
RELEASED <i>RDA</i>	26MAY22
REVISED	

TITLE
ACRYLIC ADHESIVE, DUAL PACK SYRINGE

SIZE A	CAGE CODE 66530	DWG. NO. CB420-10E	REV. 0
SCALE: NTS		26MAY22	SHEET 1 OF 1