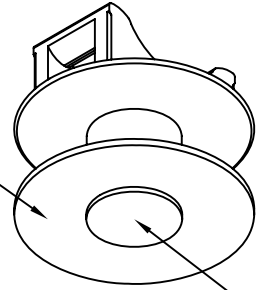
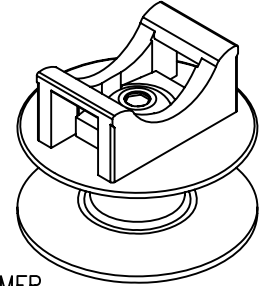
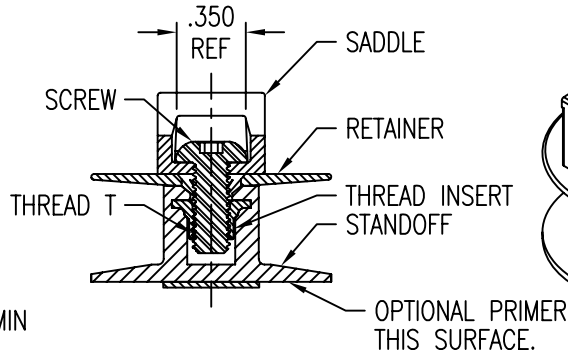
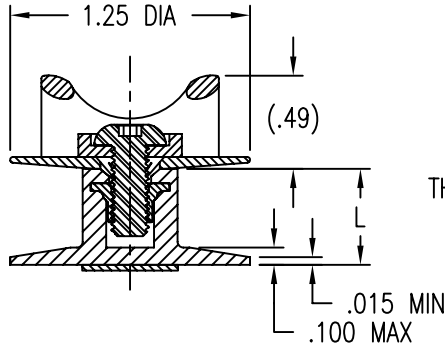


MOUNT ATTACHED BY ADHESIVE APPLIED TO THIS SURFACE.



INTERNAL PRESSURE SENSITIVE ADHESIVE FIXTURE HOLDS MOUNT WHILE ADHESIVE CURES.



LENGTH L DATA

CODE	8	12
L	.500	.750

THREAD INSERT MATERIAL AND FINISH DATA

CODE	MATERIAL	SPEC.	PASSIVATE	DRI-FILM LUBE
CR	A-286 CRES	AMS 5525, 5726, 5732, 5737	AMS 2700	AS5272 TY 1

STANDOFF MATERIAL

CODE	MATERIAL	SPEC.
V	40% GLASS/PEI	CBMS-101

THREAD T DATA

CODE	THREAD SIZE
5M	M5 X 0,8 4H6H

OPTIONAL BASEPLATE PRIMER

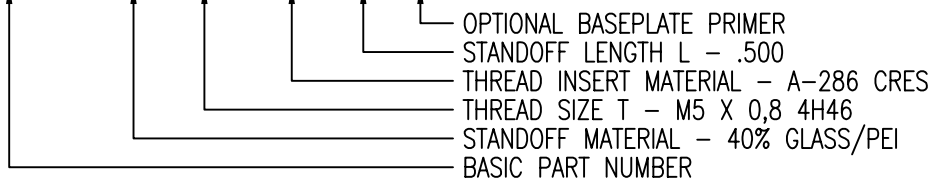
CODE	MATERIAL SPEC.
P	MIL-PRF-85582

SADDLE AND RETAINER MATERIAL: POLYETHERIMIDE, ULTEM 1000 OR EQUAL, NATURAL COLOR

SCREW MATERIAL: 18-8 STAINLESS STEEL

EXAMPLE PART NUMBER

CB4591 V 5M CR 8 P



UNLESS OTHERWISE SPECIFIED, ALL DIMENSIONS ARE IN INCHES AND TOLERANCES ARE AS SHOWN BELOW. DIMENSIONAL TOLERANCES AND SYMBOLS PER ANSI Y14.5M-1982.

PROPRIETARY PARTS SHOWN IN THIS DRAWING ARE THE SUBJECT OF ISSUED UNITED STATES AND FOREIGN PATENTS AND PATENTS PENDING. UNAUTHORIZED REPRODUCTION AND/OR DISTRIBUTION OF THIS DRAWING IS SPECIFICALLY PROHIBITED.

CLICK BOND

CARSON CITY
NEVADA 89706

ANGLES	±1°	DRAWN	BPEREZ	DATE	22OCT09
.XX	±.03	CHECKED	JAC	DATE	22OCT09
.XXX	±.010	RELEASED	CGH	DATE	22OCT09
.XXXX	±.001	REVISED			

TITLE				MOUNT, ADHESIVE BONDED, COMPOSITE	
SIZE	CAGE CODE	DWG. NO.	REV.		
A	66530	CB4591	0		
SCALE	1/1	22OCT09	SHEET	1	OF 1