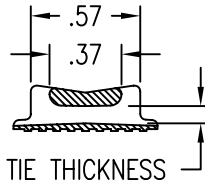
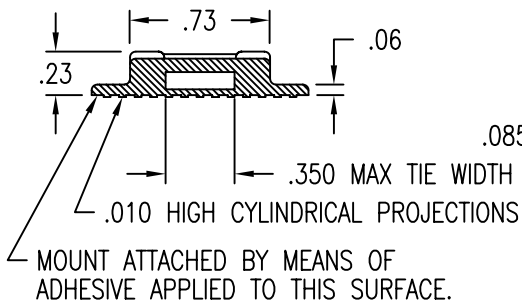
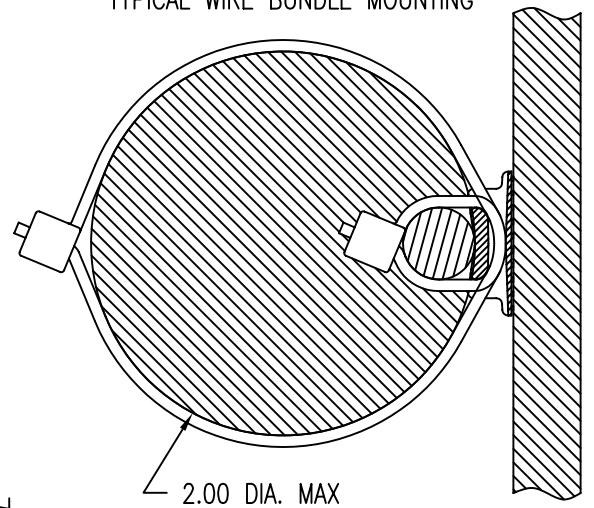
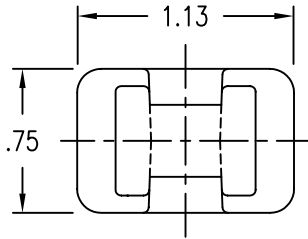


TYPICAL WIRE BUNDLE MOUNTING



.085 MAX TIE THICKNESS

MOUNT ATTACHED BY MEANS OF ADHESIVE APPLIED TO THIS SURFACE.

MATERIAL DATA

CODE	MATERIAL	FINISH
V	GLASS/POLYETHERIMIDE	ABRASIVE CLEAN

EXAMPLE PART NUMBER

CB9318 V 5

REFERENCE SIZE
MATERIAL - GLASS/POLYETHERIMIDE
BASIC PART NUMBER

UNLESS OTHERWISE SPECIFIED, ALL DIMENSIONS ARE IN INCHES AND TOLERANCES ARE AS SHOWN BELOW. DIMENSIONAL TOLERANCES AND SYMBOLS PER ANSI Y14.5M-1982.

PROPRIETARY PARTS SHOWN IN THIS DRAWING ARE THE SUBJECT OF ISSUED UNITED STATES AND FOREIGN PATENTS AND PATENTS PENDING. UNAUTHORIZED REPRODUCTION AND/OR DISTRIBUTION OF THIS DRAWING IS SPECIFICALLY PROHIBITED.

GLICK BOND

CARSON CITY
NEVADA 89706

APPROVALS		DATE	TITLE			
ANGLES	±1°	DRAWN BPEREZ	3DEC03	MOUNT, CABLE TIE ANCHOR, TEXTURED BASE		
.XX	±.03	CHECKED DOC/mt	8DEC03	SIZE	CAGE CODE	DWG. NO.
.XXX	±.010	RELEASED CGH	8DEC03	A	66530	CB9318
.XXXX	±.001	REVISED BPEREZ	3DEC03	SCALE	1/1	3DEC03
						SHEET 1 OF 1