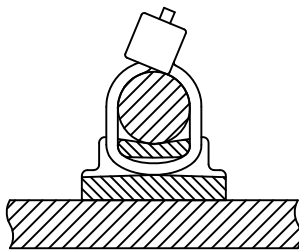
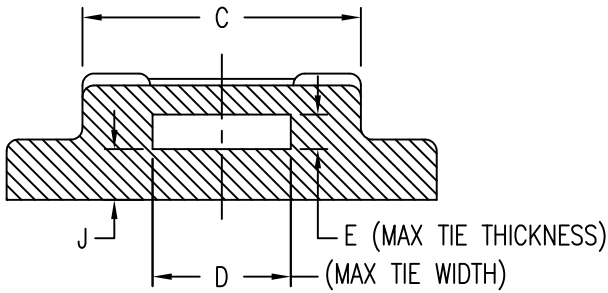
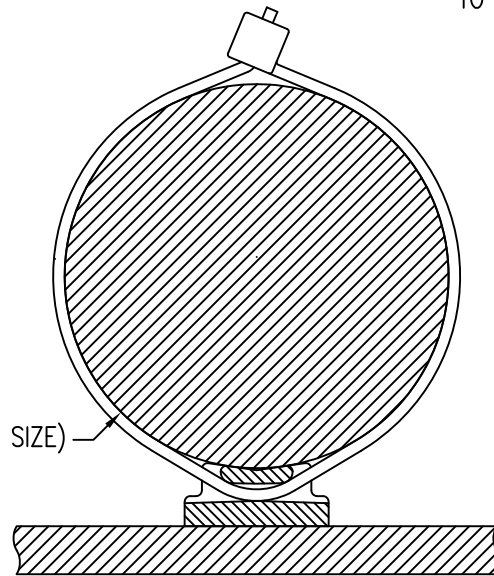


INSTALLATION FIXTURE  
HOLDS MOUNT WHILE  
ADHESIVE CURES.

MOUNT ATTACHED  
BY ADHESIVE APPLIED  
TO THIS SURFACE.



TYPICAL APPLICATION  
(SMALL WIRE BUNDLE)



TYPICAL APPLICATION  
(LARGE WIRE BUNDLE)

K DIA (MAX BUNDLE SIZE)

DIMENSION AND APPROX. WEIGHT DATA

CODE	A	B	C	D REF	E REF	F	G	H	J REF	K REF	APPROX. WEIGHT LBS/100 (grams)
5	1.12 (28,4)	.75 (19,1)	.73 (18,4)	.350 (9,0)	.085 (2,1)	.57 (14,5)	.38 (9,5)	.33 (8,4)	.13 (3,4)	2.00 (50,8)	.81 (3,7)

MATERIAL AND FINISH DATA

CODE	MATERIAL	FINISH
VG	GLASS/POLYETHERIMIDE	ABRASIVE CLEAN

NOTES

1. DIMENSIONS IN INCHES (mm)
2. FOR USE WITH INTERMEDIATE, STANDARD, LIGHT HEAVY, AND HEAVY CABLE TIE STRAPS

EXAMPLE PART NUMBER

CM460 VG 5

↑ REFERENCE SIZE  
↑ MATERIAL - GLASS/PEI  
↑ BASIC PART NUMBER

UNLESS OTHERWISE SPECIFIED, ALL DIMENSIONS ARE IN INCHES AND TOLERANCES ARE AS SHOWN BELOW. DIMENSIONAL TOLERANCES AND SYMBOLS PER ANSI Y14.5M-1982.

PROPRIETARY PARTS SHOWN IN THIS DRAWING ARE THE SUBJECT OF ISSUED UNITED STATES AND FOREIGN PATENTS AND PATENTS PENDING. UNAUTHORIZED REPRODUCTION AND/OR DISTRIBUTION OF THIS DRAWING IS SPECIFICALLY PROHIBITED.

**CLICK BOND**

CARSON CITY  
NEVADA 89706

APPROVALS		DATE	
ANGLES	±1°	DRAWN	DAC 18APR12
.XX	±.03	CHECKED	DAC/mtm 18APR12
.XXX	±.010	RELEASED	ABC/ati 18APR12
.XXXX	±.001	REVISED	

TITLE			
MOUNT, CABLE TIE, INTERNALLY FIXTURED			
SIZE	CAGE CODE	DWG. NO.	REV.
A	66530	CM460	0
SCALE	2/1 18APR12		SHEET 1 OF 1