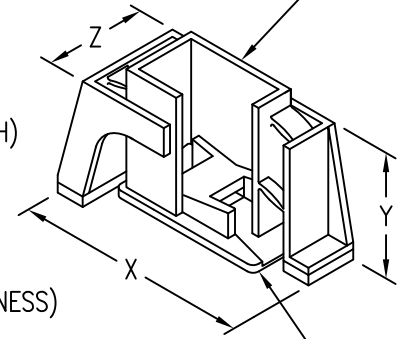
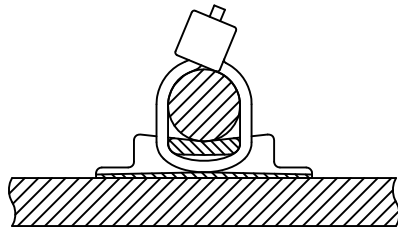
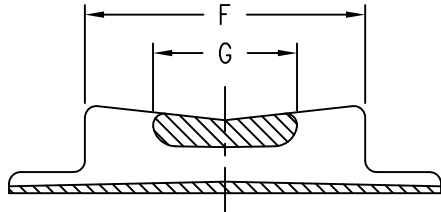


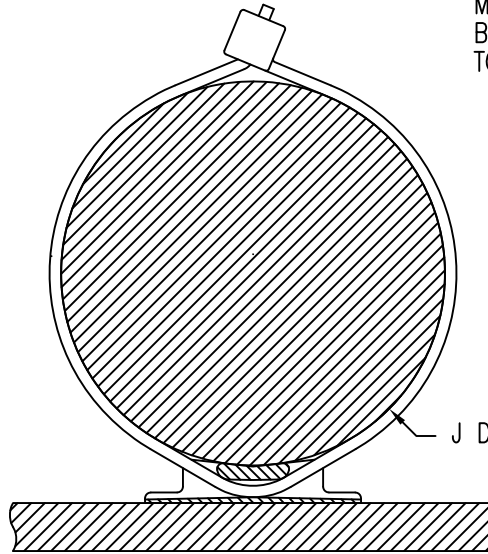
DISPOSABLE PRESSURE SENSITIVE ADHESIVE FIXTURE HOLDS MOUNT WHILE ADHESIVE CURES.



MOUNT ATTACHED BY ADHESIVE APPLIED TO THIS SURFACE.



TYPICAL APPLICATION (SMALL WIRE BUNDLE)



TYPICAL APPLICATION (LARGE WIRE BUNDLE)

DIMENSION AND APPROX. WEIGHT DATA

CODE	A	B	C	D REF	E REF	F	G	H	J REF	FIXTURE DIMENSIONS			APPROX. WEIGHT LBS/100 (grams)
										X REF	Y REF	Z REF	
5	1.13 (28,6)	.75 (19,1)	.57 (14,5)	.350 (9,0)	.085 (2,1)	.73 (18,5)	.38 (9,5)	.23 (5,8)	2.00 (50,8)	2.00 (50,8)	1.05 (26,7)	.90 (22,9)	.38 (1,7)

MATERIAL AND FINISH DATA

CODE	MATERIAL	FINISH
VG	GLASS/POLYETHERIMIDE	ABRASIVE CLEAN

EXAMPLE PART NUMBER

CM951 VG 5

↑ REFERENCE SIZE
↑ MATERIAL - GLASS/PEI
↑ BASIC PART NUMBER

- NOTES: 1. DIMENSIONS IN INCHES (mm)
2. FOR USE WITH INTERMEDIATE, STANDARD, LIGHT HEAVY, AND HEAVY CABLE TIE STRAPS
3. APPROX. WEIGHT EXCLUDES WEIGHT OF DISPOSABLE INSTALLATION FIXTURE

UNLESS OTHERWISE SPECIFIED, ALL DIMENSIONS ARE IN INCHES AND TOLERANCES ARE AS SHOWN BELOW. DIMENSIONAL TOLERANCES AND SYMBOLS PER ANSI Y14.5M-1982.

PROPRIETARY PARTS SHOWN IN THIS DRAWING ARE THE SUBJECT OF ISSUED UNITED STATES AND FOREIGN PATENTS AND PATENTS PENDING. UNAUTHORIZED REPRODUCTION AND/OR DISTRIBUTION OF THIS DRAWING IS SPECIFICALLY PROHIBITED.

CLICK BOND

CARSON CITY
NEVADA 89706

APPROVALS		DATE	
ANGLES	±1°	DRAWN	18APR12
.XX	±.03	CHECKED	18APR12
.XXX	±.010	RELEASED	18APR12
.XXXX	±.001	REVISED	

TITLE			
MOUNT, CABLE TIE ANCHOR, TRANSVERSE BASE			
SIZE	CAGE CODE	DWG. NO.	REV.
A	66530	CM951	0
SCALE	2/1 18APR12		SHEET 1 OF 1