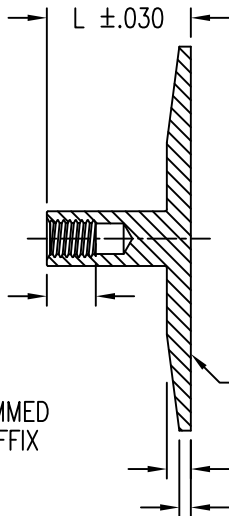


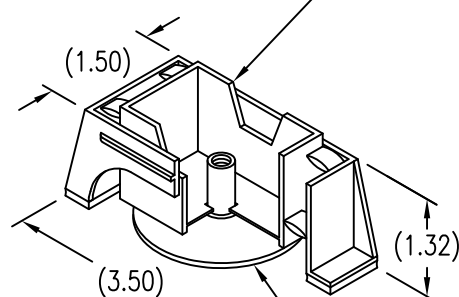
2.00 DIA  
THREAD PER  
ASME B1.1

A DIA  
FOR OPTIONAL TRIMMED  
BASE ADD 125 SUFFIX  
TO PART NUMBER.



D MIN  
THREAD DEPTH

DISPOSABLE PRESSURE SENSITIVE  
ADHESIVE FIXTURE HOLDS STANDOFF  
WHILE ADHESIVE CURES.



OPTIONAL PRIMER  
THIS SURFACE.

STANDOFF ATTACHED  
BY ADHESIVE APPLIED  
TO THIS SURFACE.

LENGTH L CODE (LENGTH IN SIXTEENTHS OF AN INCH)

CODE	12	13	14	15	16	17	18	20	22	24
L	.750	.812	.875	.937	1.000	1.062	1.125	1.250	1.375	1.500
D MIN	.375									

BASEPLATE MATERIAL AND FINISH DATA

CODE	MATERIAL	FINISH
CR	300 SERIES CRES	PASSIVATE
CRM	316 CRES	PASSIVATE
G	GLASS/EPOXY	NONE

THREAD AND DIMENSION DATA

CODE	THREAD SIZE	A REF
1024	.190-24 UNC-2B	.312
1032	.190-32 UNF-2B	.285
1420	.250-20 UNC-2B	.375
51618	.312-18 UNC-2B	.437
3816	.375-16 UNC-2B	.500
813	.500-13 UNC-2B	.750

OPTIONAL BASEPLATE PRIMER

CODE	PRIMER
P	EPOXY PRIMER

STANDOFF MATERIAL AND FINISH DATA

CODE	MATERIAL	FINISH
CR	300 SERIES CRES	PASSIVATE
CRM	316 CRES	PASSIVATE

EXAMPLE PART NUMBER

CN200-1032-12 CRM 125 P

OPTIONAL BASEPLATE PRIMER  
OPTIONAL TRIMMED BASE - 1.25  
STANDOFF MATERIAL (IF DIFFERENT)  
BASEPLATE MATERIAL - 316 CRES  
STANDOFF LENGTH L - .750  
THREAD SIZE - .190-32 UNF-2B  
BASIC PART NUMBER

UNLESS OTHERWISE SPECIFIED, ALL DIMENSIONS ARE  
IN INCHES AND TOLERANCES ARE AS SHOWN BELOW.  
DIMENSIONAL TOLERANCES AND SYMBOLS PER ANSI  
Y14.5M-1982.

PROPRIETARY PARTS SHOWN IN THIS DRAWING ARE THE SUBJECT  
OF ISSUED UNITED STATES AND FOREIGN PATENTS AND PATENTS  
PENDING.  
UNAUTHORIZED REPRODUCTION AND/OR DISTRIBUTION OF THIS  
DRAWING IS SPECIFICALLY PROHIBITED.

**CLICK BOND**

CARSON CITY  
NEVADA 89706

CAD CN200-1

APPROVALS

DATE

TITLE

ANGLES ±1°

DRAWN DAC

30CT12

STANDOFF, VERY LARGE BASE, ADHESIVE BONDED

.XX ±.03

CHECKED DAC

30CT12

SIZE

CAGE CODE

DWG. NO.

REV.

.XXX ±.010

RELEASED CGH

30CT12

A

66530

CN200

2

.XXXX ±.001

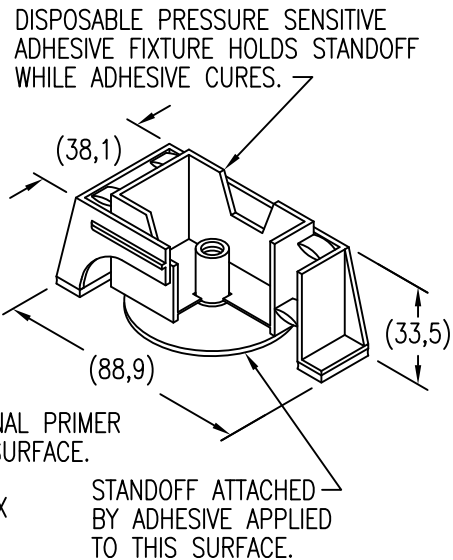
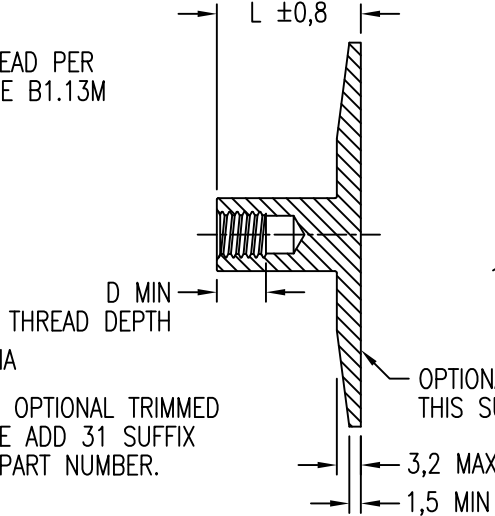
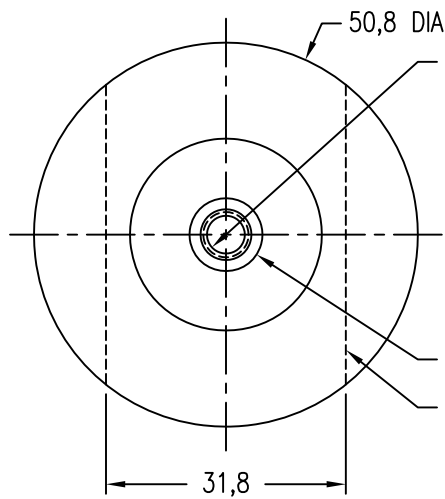
REVISED DAC

30CT12

SCALE 1/1

30CT12

SHEET 1 OF 2



LENGTH L CODE (LENGTH IN MILLIMETERS)

CODE	18M	20M	22M	25M	30M	35M	40M
L	18	20	22	25	30	35	40
D MIN	9,5						

BASEPLATE MATERIAL AND FINISH DATA

CODE	MATERIAL	FINISH
CR	300 SERIES CRES	PASSIVATE
CRM	316 CRES	PASSIVATE
G	GLASS/EPOXY	NONE

THREAD AND DIMENSION DATA

CODE	THREAD SIZE	A REF
5M	M5 X 0,8 6H	7,25
6M	M6 X 1,0 6H	9,65
8M	M8 X 1,25 6H	11,1
10M	M10 X 1,5 6H	13,2
12M	M12 X 1,75 6H	19,1

OPTIONAL BASEPLATE PRIMER

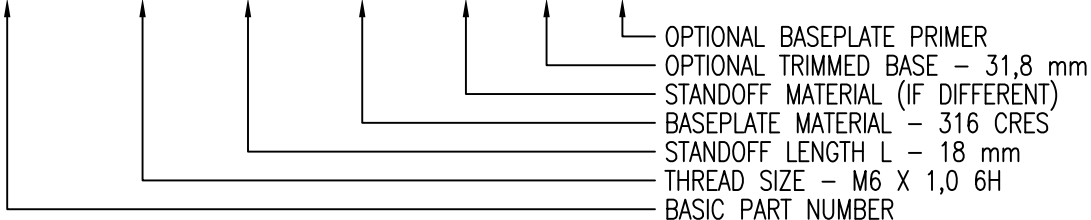
CODE	PRIMER
P	EPOXY PRIMER

STANDOFF MATERIAL AND FINISH DATA

CODE	MATERIAL	FINISH
CR	300 SERIES CRES	PASSIVATE
CRM	316 CRES	PASSIVATE

EXAMPLE PART NUMBER

CN200-6M 18M CRM 31 P



UNLESS OTHERWISE SPECIFIED, ALL DIMENSIONS ARE IN MILLIMETERS AND TOLERANCES ARE AS SHOWN BELOW. DIMENSIONAL TOLERANCES AND SYMBOLS PER ANSI Y14.5M-1982.

PROPRIETARY PARTS SHOWN IN THIS DRAWING ARE THE SUBJECT OF ISSUED UNITED STATES AND FOREIGN PATENTS AND PATENTS PENDING. UNAUTHORIZED REPRODUCTION AND/OR DISTRIBUTION OF THIS DRAWING IS SPECIFICALLY PROHIBITED.

**CLICK BOND**

CARSON CITY  
NEVADA 89706

CAD CN200-2 METRIC DIMENSIONS	
ANGLES	±1°
.X	±0,8
.XX	±0,25

APPROVALS	DATE
DRAWN <i>DAC</i>	30CT12
CHECKED <i>DAC</i>	30CT12
RELEASED <i>CGH</i>	30CT12
REVISED <i>DAC</i>	30CT12

TITLE STANDOFF, VERY LARGE BASE, ADHESIVE BONDED			
SIZE	CAGE CODE	DWG. NO.	REV.
A	66530	CN200 (METRIC)	2
SCALE	1/1	30CT12	SHEET 2 OF 2