

THREAD DATA

CODE	THREAD SIZE
10	.625-11 UNC-2A

LENGTH L DATA

CODE	6	8	16
L	1.50	2.00	4.00

MATERIAL AND FINISH DATA

CODE	MATERIAL	FINISH
CRM	316 CRES	PASSIVATE

EXAMPLE PART NUMBER

CS922 CRM 10 P 8

LENGTH L - 2.00
 EPOXY PRIMER ON BASEPLATE
 THREAD SIZE - 5/8-11 UNC-2A
 MATERIAL - 316 CRES
 BASIC PART NUMBER

UNLESS OTHERWISE SPECIFIED, ALL DIMENSIONS ARE IN INCHES AND TOLERANCES ARE AS SHOWN BELOW. DIMENSIONAL TOLERANCES AND SYMBOLS PER ANSI Y14.5M-1982.

PROPRIETARY PARTS SHOWN IN THIS DRAWING ARE THE SUBJECT OF ISSUED UNITED STATES AND FOREIGN PATENTS AND PATENTS PENDING. UNAUTHORIZED REPRODUCTION AND/OR DISTRIBUTION OF THIS DRAWING IS SPECIFICALLY PROHIBITED.

CLICK BOND

CARSON CITY
 NEVADA 89706

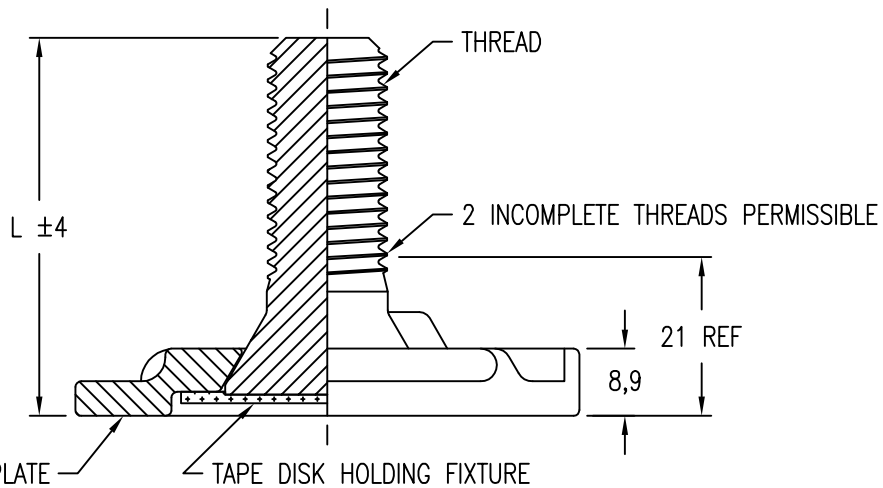
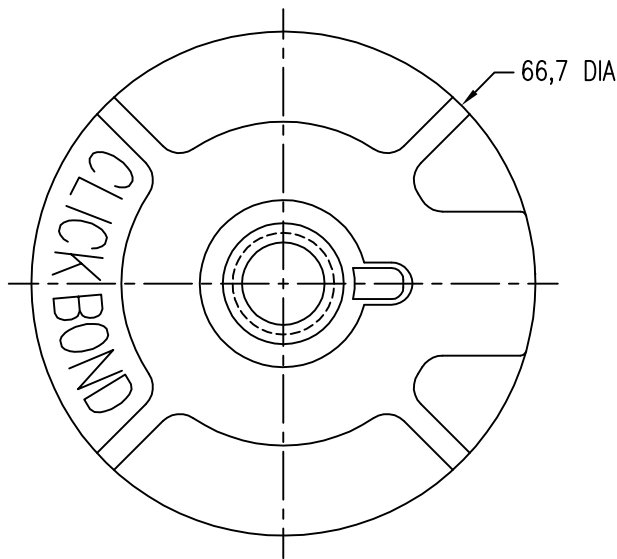
CAD CS922-1

APPROVALS	DATE
DRAWN <i>DAC</i>	25MAR13
CHECKED <i>BPerez</i>	22DEC15
RELEASED <i>ADAL</i>	22DEC15
REVISED <i>BPerez</i>	22DEC15

TITLE
 STUD, ADHESIVE BONDED, SELF FIXTURING

ANGLES	±1°
.XX	±.03
.XXX	±.010
.XXXX	±.001

SIZE	CAGE CODE	DWG. NO.	REV.
A	66530	CS922	3
SCALE	1/1	22DEC15	SHEET 1 OF 2



THREAD DATA

CODE	THREAD SIZE
14M	M14 X 1,5 6g
16M	M16 X 2,0 6g

LENGTH L DATA

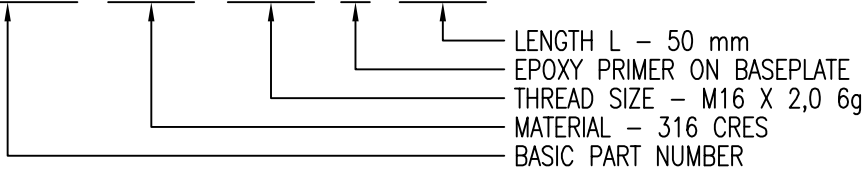
CODE	40M	50M	75M	100M
L	40	50	75	100

MATERIAL AND FINISH DATA

CODE	MATERIAL	FINISH
CRM	316 CRES	PASSIVATE

EXAMPLE PART NUMBER

CS922 CRM 16M P 50M



UNLESS OTHERWISE SPECIFIED, ALL DIMENSIONS ARE IN MILLIMETERS AND TOLERANCES ARE AS SHOWN BELOW. DIMENSIONAL TOLERANCES AND SYMBOLS PER ANSI Y14.5M-1982.

PROPRIETARY PARTS SHOWN IN THIS DRAWING ARE THE SUBJECT OF ISSUED UNITED STATES AND FOREIGN PATENTS AND PATENTS PENDING. UNAUTHORIZED REPRODUCTION AND/OR DISTRIBUTION OF THIS DRAWING IS SPECIFICALLY PROHIBITED.

CLICK BOND

CARSON CITY
NEVADA 89706

CAD CS922-2 METRIC DIMENSIONS	
ANGLES	±1°
.X	±0,8
.XX	±0,25

APPROVALS	DATE
DRAWN <i>DAC</i>	25MAR13
CHECKED <i>BPerez</i>	22DEC15
RELEASED <i>ADAL</i>	22DEC15
REVISED <i>BPerez</i>	22DEC15

TITLE STUD, ADHESIVE BONDED, SELF FIXTURING			
SIZE	CAGE CODE	DWG. NO.	REV.
A	66530	CS922 (METRIC)	3
SCALE	1/1 22DEC15		SHEET 2 OF 2