

4

3

2

1

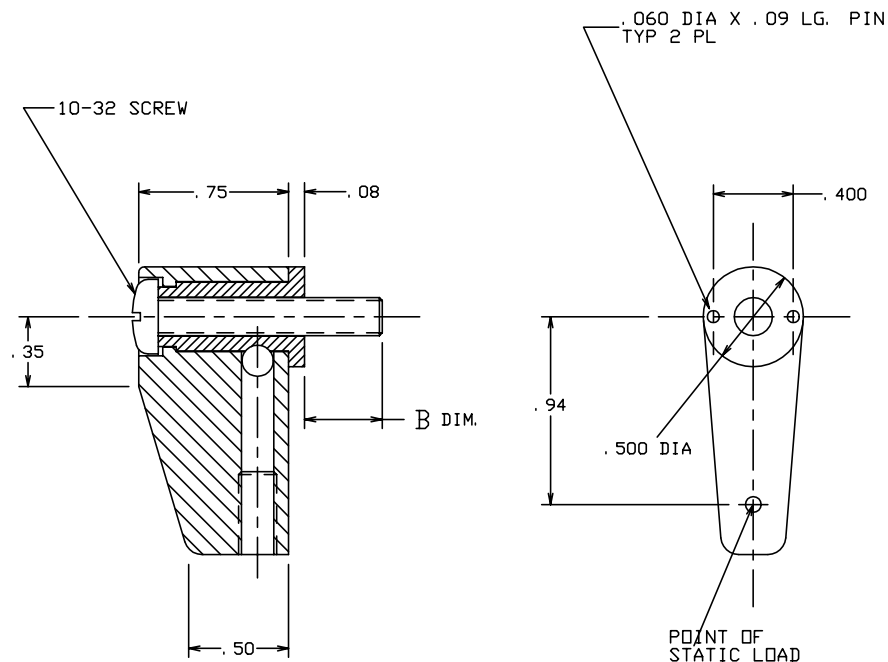
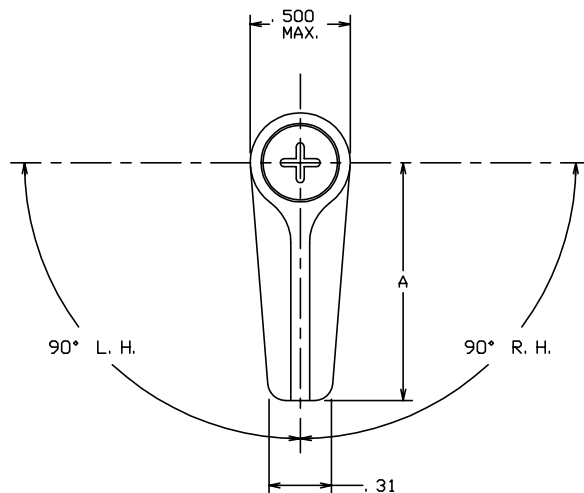
THE INFORMATION AND DESIGN HEREIN WAS ORIGINATED BY AND IS THE PROPERTY OF SKYLOCK INDUSTRIES INCORPORATED. SKYLOCK INDUSTRIES INCORPORATED RESERVES ALL PATENT, PROPRIETARY, DESIGN MANUFACTURING, REPRODUCTION, USE AND SALES RIGHTS THERE TO, AND TO ANY ARTICLE DISCLOSED THEREIN EXCEPT TO THE EXTENT RIGHTS ARE EXPRESSLY GRANTED TO OTHERS. THE FOREGOING DOES NOT APPLY TO VENDOR PROPRIETARY PARTS.

NOTES: UNLESS OTHERWISE SPECIFIED.

1. REMOVE ALL BURRS AND BREAK SHARP EDGES.
2. MAT'L: RETAINER; ALUM. ALLOY, ALL OTHER PARTS; 300 SERIES CRES.
3. FINISH: ALUM.; ANODIZE, CRES PARTS; PASSIVATE.
4. DECORATIVE FINISH: RETAINER; BRIGHT BUFF AND CANDY APPLE RED ANODIZE.
5. STATIC LOAD: 600 LBS. MAX.

REVISIONS

ZONE	LTR	DESCRIPTION	DATE	APPROVED
	NC	PRODUCTION RELEASE	10-14-91	T. CSIK
	A	ADDED -403, -404, -405, -406	1-27-92	T. CSIK
	B	ADDED -407, -408	7-16-92	T. CSIK
	C	ADDED -409 THRU -416	11-4-92	T. CSIK



.39	2.00	-408	RETAINER ASSY	<90° RIGHT HAND>	
.39	2.00	-407	RETAINER ASSY	<90° LEFT HAND>	
.39	2.50	-406	RETAINER ASSY	<90° RIGHT HAND>	
.39	2.50	-405	RETAINER ASSY	<90° LEFT HAND>	
.39	.62	-404	RETAINER ASSY	<90° RIGHT HAND>	
.39	.62	-403	RETAINER ASSY	<90° LEFT HAND>	
.39	1.19	-402	RETAINER ASSY	<90° RIGHT HAND>	
.39	1.19	-401	RETAINER ASSY	<90° LEFT HAND>	
B DIM	A DIM	PART NO.	DESCRIPTION	MATERIAL SIZE SPECIFICATION	ITEM NO.

.51	2.00	-416	RETAINER ASSY	<90° RIGHT HAND>	
.51	2.00	-415	RETAINER ASSY	<90° LEFT HAND>	
.51	2.50	-414	RETAINER ASSY	<90° RIGHT HAND>	
.51	2.50	-413	RETAINER ASSY	<90° LEFT HAND>	
.51	.62	-412	RETAINER ASSY	<90° RIGHT HAND>	
.51	.62	-411	RETAINER ASSY	<90° LEFT HAND>	
.51	1.19	-410	RETAINER ASSY	<90° RIGHT HAND>	
.51	1.19	-409	RETAINER ASSY	<90° LEFT HAND>	
B DIM	A DIM	PART NO.	DESCRIPTION	MATERIAL SIZE SPECIFICATION	ITEM NO.

PARTS LIST

UNLESS OTHERWISE SPECIFIED

DIMENSIONS ARE IN INCHES

TOLERANCES ON

DECIMALS ANGLES DRILLED HOLES

.X ± .1 ± 0° 30' AND 10387

.XXX ± .010

DO NOT SCALE THIS DRAWING

MATERIAL - FINISH

NEXT ASSY

FINAL ASSY

DRAWN BY T. CSIK

10-14-91

CHECKED

ENGINEER

PROJECT

APPROVAL T. CSIK

10-14-91

APPROVAL

USED ON



SKYLOCK INDUSTRIES INCORPORATED
MONROVIA CALIFORNIA U. S. A.

1/4 TURN RETAINER

SIZE

C

CODE IDENT. NO.

51941

DRAWING NO.

20738

REV.

C

SCALE

2:1

VT.

SHEET

1

OF 1

4

3

2

1