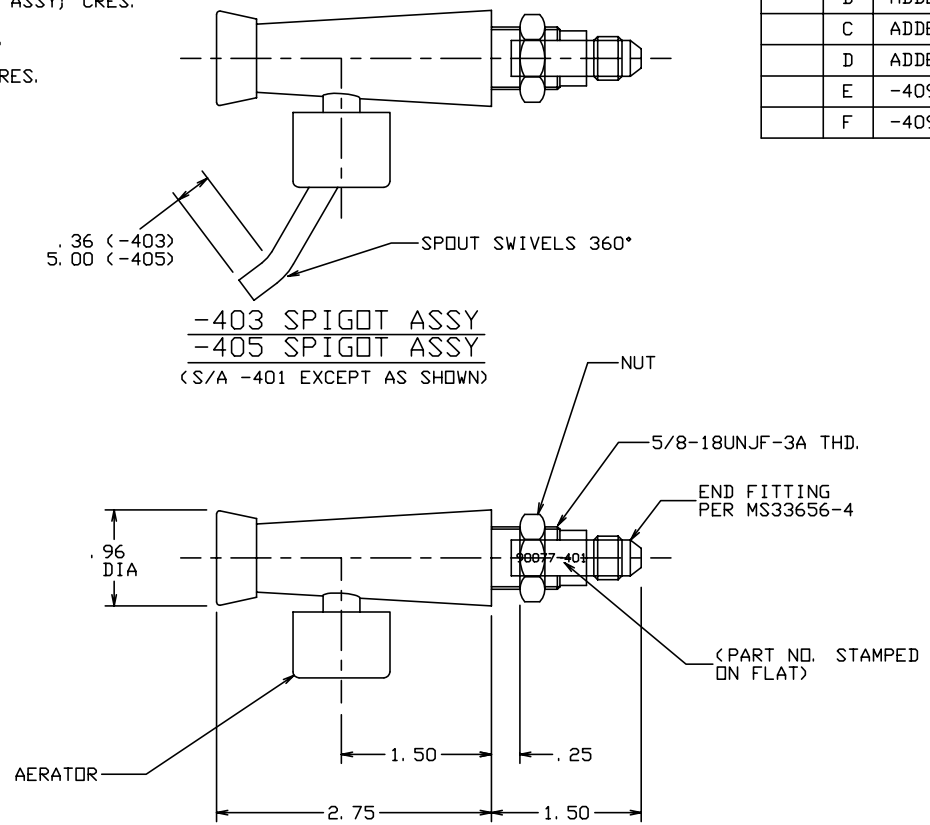


THE INFORMATION AND DESIGN HEREIN WAS ORIGINATED BY AND IS THE PROPERTY OF SKYLOCK INDUSTRIES INCORPORATED. SKYLOCK INDUSTRIES INCORPORATED RESERVES ALL PATENT, PROPRIETARY, DESIGN MANUFACTURING, REPRODUCTION, USE AND SALES RIGHTS THERE TO, AND TO ANY ARTICLE DISCLOSED THEREIN EXCEPT TO THE EXTENT RIGHTS ARE EXPRESSLY GRANTED TO OTHERS. THE FOREGOING DOES NOT APPLY TO VENDOR PROPRIETARY PARTS.

NOTES: UNLESS OTHERWISE SPECIFIED.

- 1 MAT'L: BUTTON & HOUSING; BRASS, VALVE ASSY; CRES.
- 2 DECORATIVE FINISH: SATIN CHROME PLATE.
- 3 MAT'L: BUTTON, HOUSING, VALVE ASSY; CRES.
- 4 DECORATIVE FINISH: SATIN BRUSH.

REVISIONS				
ZONE	LTR	DESCRIPTION	DATE	APPROVED
	NC	PRODUCTION RELEASE	8-9-93	T. CSIK
	A	ADDED -403	11-12-93	T. CSIK
	B	ADDED -405	2-2-94	T. CSIK
	C	ADDED -407	2-8-94	T. CSIK
	D	ADDED -409	3-18-94	T. CSIK
	E	-409 MAT'L IS CRES, WAS BRASS	4-14-94	T. CSIK
	F	-409 ADDED DIM'S, 1.00 AND 1.82	9-18-94	T. CSIK



-403 SPIGOT ASSY
 -405 SPIGOT ASSY
 (S/A -401 EXCEPT AS SHOWN)

-401 SPIGOT ASSY

-409	SPIGOT ASSY	<SEE SHT. 2>	3	4	
-407	SPIGOT ASSY	<W/ SWIVEL SPOUT><SEE SHT. 2>	1	2	
-405	SPIGOT ASSY	<W/ SWIVEL SPOUT>	1	2	
-403	SPIGOT ASSY	<W/ SWIVEL SPOUT>	1	2	
-401	SPIGOT ASSY		1	2	

QTY REQD	PART NO.	DESCRIPTION	MATERIAL	SIZE	SPECIFICATION	ITEM NO.
PARTS LIST						
UNLESS OTHERWISE SPECIFIED			DRAWN BY T. CSIK 8-9-93			
DIMENSIONS ARE IN INCHES			CHECKED			
TOLERANCES ON			ENGINEER			
DECIMALS ANGLES DRILLED HOLES			PROJECT			
.X ± .1 ± 0° 30' AND 10387			APPROVAL T. CSIK 8-9-93			
.XX ± .03			DO NOT SCALE THIS DRAWING			
.XXX ± .010			APPROVAL			
MATERIAL - FINISH			USED ON		SIZE	CODE IDENT. NO. DRAWING NO.
NEXT ASSY					C	51941 90077
FINAL ASSY					SCALE	1/1

SKYLOCK INDUSTRIES INCORPORATED
 MONROVIA CALIFORNIA U. S. A.

SPIGOT ASSY

FLUID MEDIA	TYPE	OPERATING PRESSURE	OPERATING TEMP.	FLOW
POTABLE WATER	SELF VENTING & BLEEDING	0-125 PSIG	35°F TO 225°F	100/140 OZ. /MIN. AT 70°F AND 30 P. S. I. INLET PRESSURE

D
C
B
A

D
C
B
A

4 3 2 1

4 3 2 1

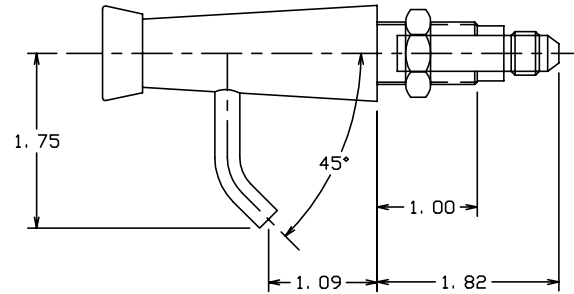
4

3

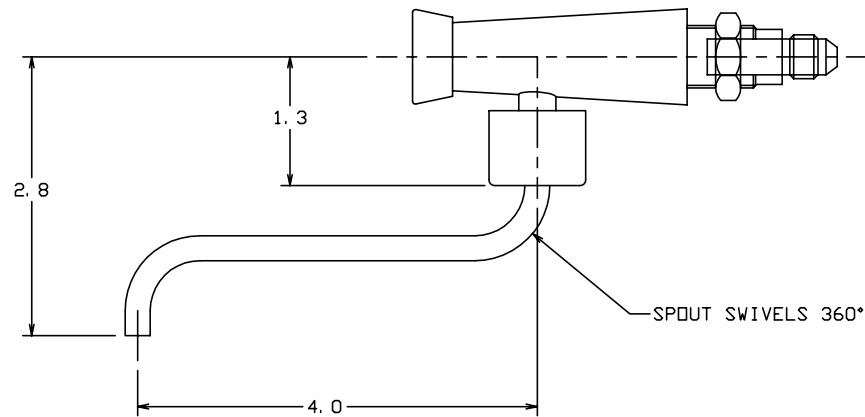
2

1


REVISIONS				
ZONE	LTR	DESCRIPTION	DATE	APPROVED
		SEE SHT. 1 FOR NOTES		



-409 SPIGOT ASSY
 (S/A -401 EXCEPT AS SHOWN)



-407 SPIGOT ASSY
 (S/A -401 EXCEPT AS SHOWN)

 SKYLOCK INDUSTRIES INCORPORATED
 MONROVIA CALIFORNIA U. S. A.

SPIGOT ASSY

SIZE	CODE IDENT. NO.	DRAWING NO.	REV.
C	51941	90077	F
SCALE	1/1	VT.	SHEET 2 OF 2

4

3

2

1