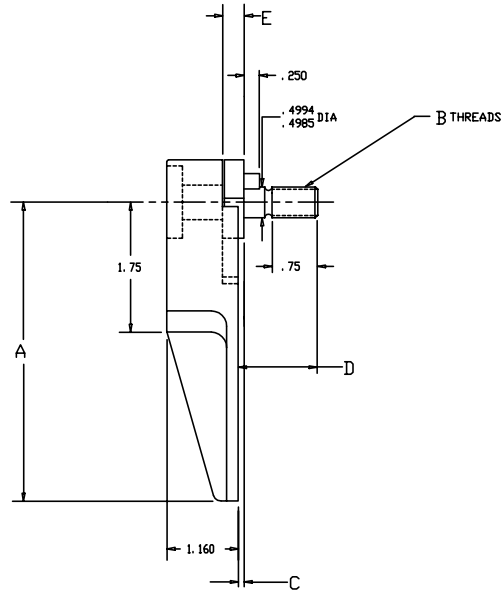
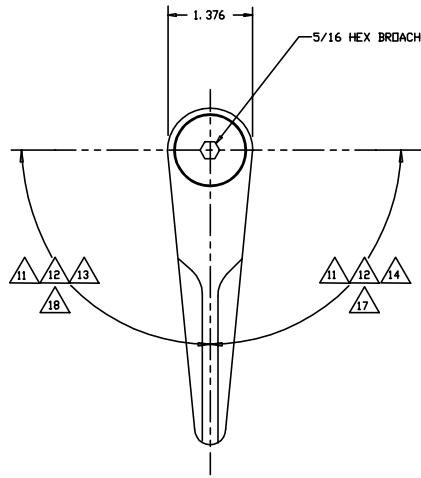
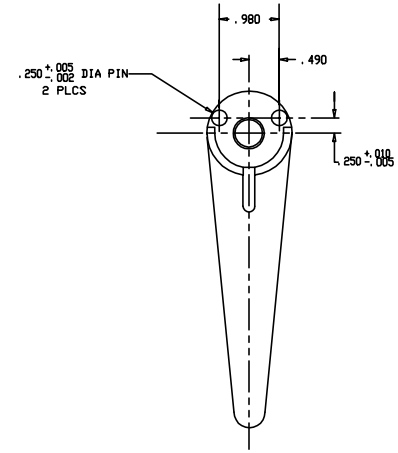


THE INFORMATION AND DESIGN HEREIN WAS ORIGINATED BY AND IS THE PROPERTY OF SKYLARK INDUSTRIES INCORPORATED. SKYLARK INDUSTRIES INCORPORATED RESERVES ALL PATENT, PROPRIETARY DESIGN, MANUFACTURING, REPRODUCTION, USE AND SALES RIGHTS THEREIN, AND TO ANY ARTICLE DISCLOSED THEREIN EXCEPT TO THE EXTENT RIGHTS ARE EXPRESSLY GRANTED TO OTHERS. THE FOLLOWING DOES NOT APPLY TO VENDOR PROPRIETARY PARTS.

REVISIONS:				
ZONE	LTN	DESCRIPTION	DATE	APPROVED
		SEE SHT 1 FOR NOTES		



TYPICAL RETAINER



SKYLARK INDUSTRIES INCORPORATED
MENDOTA, CALIFORNIA, USA

20669 RETAINER

SIZE D	FORM NO. 51941	DRAWING NO. 20669	REV. Q
SCALE NONE		RELEASE DATE	SHEET 2 OF 2