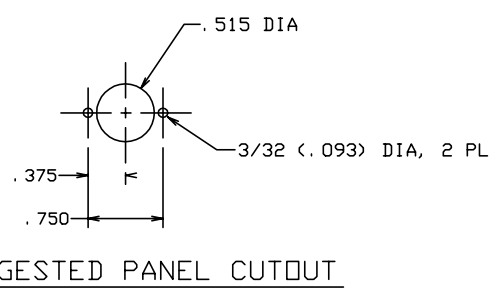
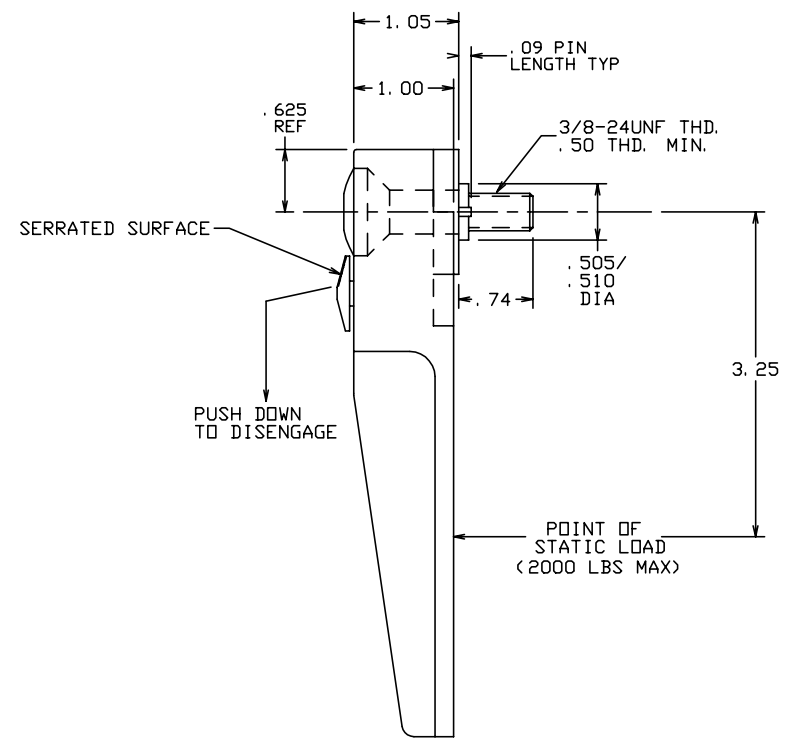
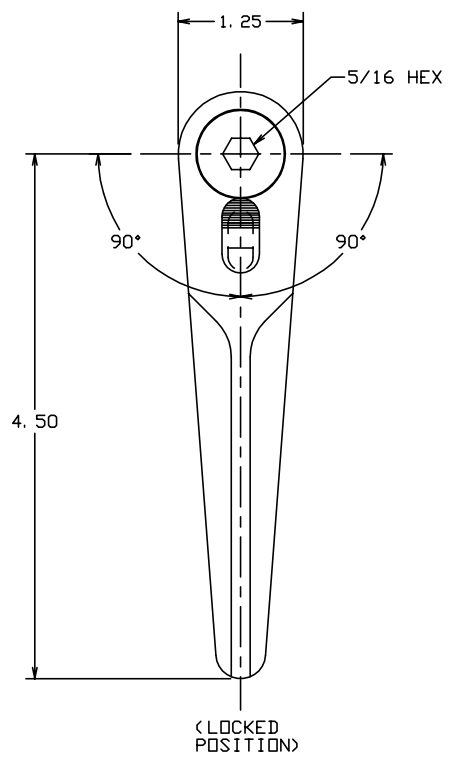


THE INFORMATION AND DESIGN HEREIN WAS ORIGINATED BY AND IS THE PROPERTY OF SKYLOCK INDUSTRIES INCORPORATED. SKYLOCK INDUSTRIES INCORPORATED RESERVES ALL PATENT, PROPRIETARY, DESIGN MANUFACTURING, REPRODUCTION, USE AND SALES RIGHTS THERE TO, AND TO ANY ARTICLE DISCLOSED THEREIN EXCEPT TO THE EXTENT RIGHTS ARE EXPRESSLY GRANTED TO OTHERS. THE FOREGOING DOES NOT APPLY TO VENDOR PROPRIETARY PARTS.

REVISIONS				
ZONE	LTR	DESCRIPTION	DATE	APPROVED
	NC	PRODUCTION RELEASE	4-23-97	T. CSIK
	A	PIN LENGTH IS .09 WAS .12, DIM. IS .505/.510 DIA WAS .553/.573 DIA, IS .515 DIA WAS .578 DIA, IS .74 WAS 1.24	5-12-97	T. CSIK

- NOTES: UNLESS OTHERWISE SPECIFIED.
- REMOVE ALL BURRS AND BREAK SHARP CORNERS.
 - MAT'L: TURN; 2024-T3 ALUM. ALLOY
ALL OTHER COMPS; 303 CRES.
 - DECORATIVE FINISH: BRIGHT BUFF AND CANDY APPLE RED ANODIZE.
 - ROTATION: 180 DEGREES; DETENTED EVERY 90 DEGREES.
 - SHAFT NEEDS NO TORQUE ADJUSTMENT; TIGHTEN SHAFT AS MUCH AS POSSIBLE WHEN INSTALLING RETAINER.
 - FUNCTION: RETAINER IS LOCKED AT THE VERTICAL POSITION. TO DISENGAGE, PUSH DOWN ON SERRATED BUTTON. INTERNAL LOCK BAR IS SPRING LOADED AND WILL LOCK AUTOMATICALLY AT THE VERTICAL POSITION.



-1 RETAINER					
PART NO.	DESCRIPTION				
PARTS LIST					
UNLESS OTHERWISE SPECIFIED		DRAWN BY	T. CSIK	4-23-97	SKYLOCK INDUSTRIES INCORPORATED MONROVIA CALIFORNIA U. S. A.
DIMENSIONS ARE IN INCHES		CHECKED			
TOLERANCES ON		ENGINEER			
DECIMALS ANGLES DRILLED HOLES		PROJECT			
.X ± .1 ± 0° 30' AND 10387		APPROVAL			1/4 TURN RETAINER, LOCKING
.XX ± .03		APPROVAL			
.XXX ± .010		APPROVAL			
DO NOT SCALE THIS DRAWING					
MATERIAL - FINISH		USED ON	SIZE	CODE IDENT. NO.	DRAWING NO.
NEXT ASSY			C	51941	20937
FINAL ASSY			SCALE	1: 1	VT. SHEET 1 OF 1