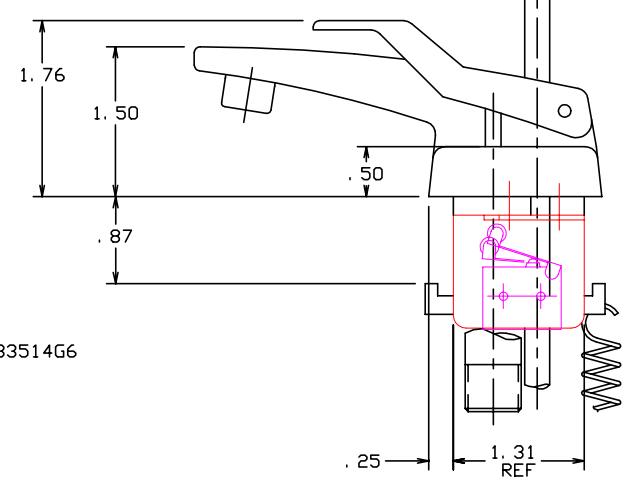
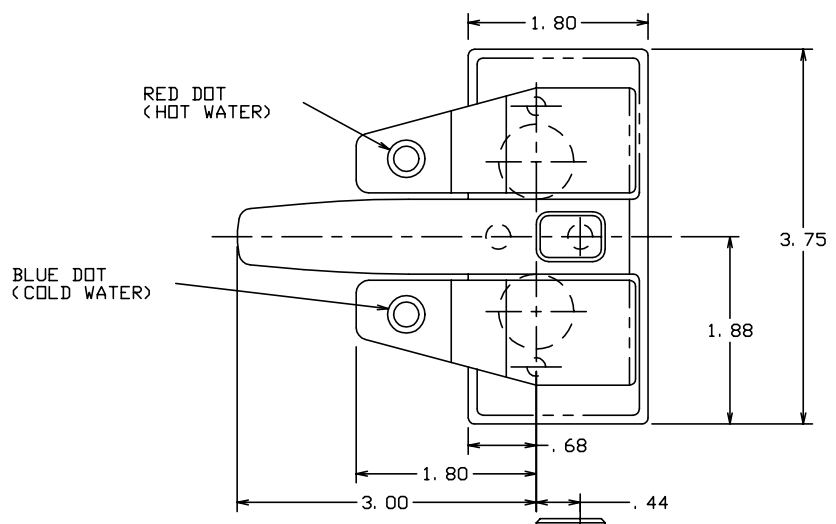
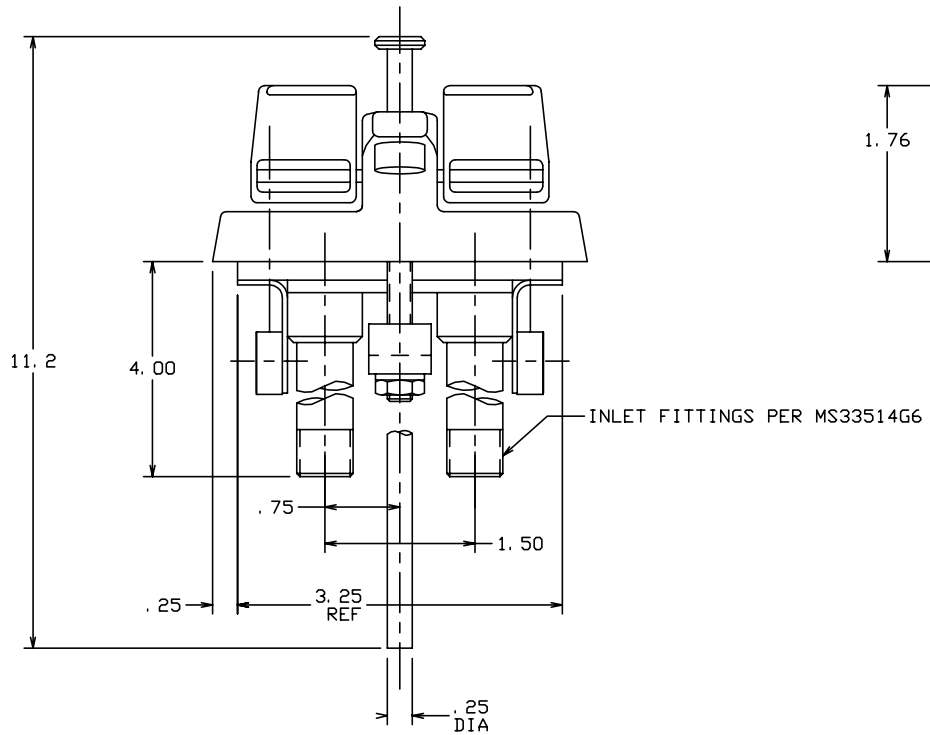
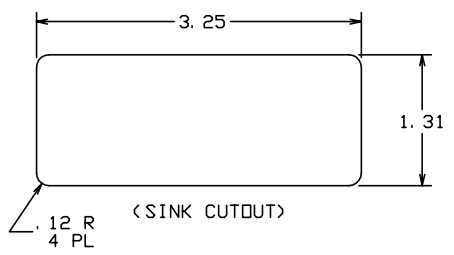


THE INFORMATION AND DESIGN HEREIN WAS ORIGINATED BY AND IS THE PROPERTY OF SKYLOCK INDUSTRIES INCORPORATED. SKYLOCK INDUSTRIES INCORPORATED RESERVES ALL PATENT, PROPRIETARY, DESIGN MANUFACTURING, REPRODUCTION, USE AND SALES RIGHTS THERE TO, AND TO ANY ARTICLE DISCLOSED THEREIN EXCEPT TO THE EXTENT RIGHTS ARE EXPRESSLY GRANTED TO OTHERS. THE FOREGOING DOES NOT APPLY TO VENDOR PROPRIETARY PARTS.

REVISIONS				
ZONE	LTR	DESCRIPTION	DATE	APPROVED
	P1	PRELIMINARY RELEASE	6-23-95	T. CSIK

- GENERAL NOTES: UNLESS OTHERWISE SPECIFIED.
- MAT'L: ALL COMPONENTS; 300 SERIES CRES.
 - FINISH: ALL APPEARANCE SURFACES - SATIN BUFF.
 - ELECTRICAL RATING OF MICROSWITCH: 125-250 VAC, 5 AMP.
 - FUNCTION: MOMENTARY PUSH ON FAUCET HANDLE WILL ACTIVATE SEPERATE PUMP CIRCUIT. THIS FAUCET DOES NOT CONTROL TIMING OR FLOW RATE OF WATER. THIS FAUCET DOES NOT CONTAIN VALVES FOR OPENING OR CLOSING WATER SUPPLY/FLOW.



-401		FAUCET ASSY			
QTY REQD	PART NO.	DESCRIPTION	MATERIAL	SIZE	SPECIFICATION
PARTS LIST					
UNLESS OTHERWISE SPECIFIED		DRAWN BY	T. CSIK	6-23-95	SKYLOCK INDUSTRIES INCORPORATED MONROVIA CALIFORNIA U. S. A.
DIMENSIONS ARE IN INCHES		CHECKED			
TOLERANCES ON		ENGINEER			
DECIMALS ANGLES DRILLED HOLES		PROJECT			
.X ± .1 ± 0° 30' AND 10387		APPROVAL			FAUCET ASSY
.XX ± .03		APPROVAL			
.XXX ± .010		APPROVAL			
DO NOT SCALE THIS DRAWING		USED ON		SIZE	CODE IDENT. NO. DRAWING NO.
MATERIAL - FINISH				C	51941 90086
NEXT ASSY				SCALE	1/1
FINAL ASSY				VT.	SHEET 1 OF 1