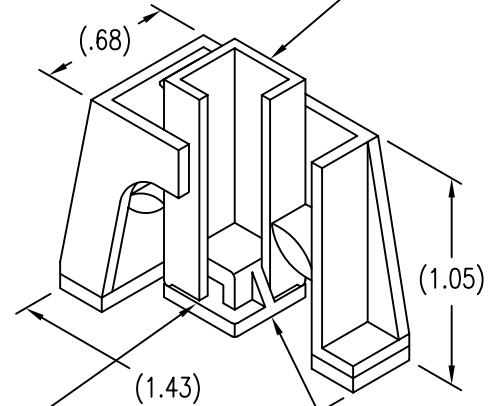
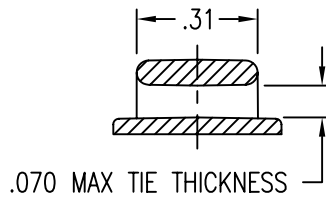
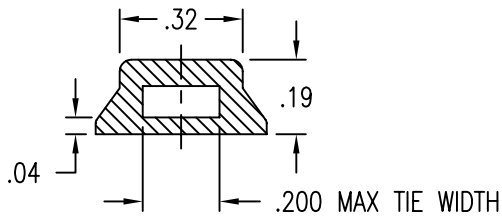


DISPOSABLE PRESSURE SENSITIVE ADHESIVE FIXTURE HOLDS MOUNT WHILE ADHESIVE CURES.



CABLE TIE OPENING

MOUNT ATTACHED BY ADHESIVE APPLIED TO THIS SURFACE.

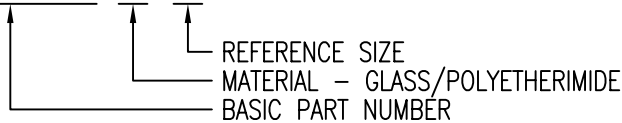


MATERIAL DATA

CODE	MATERIAL	FINISH
V	GLASS/POLYETHERIMIDE	ABRASIVE CLEAN
VC	CARBON/POLYETHERIMIDE	ABRASIVE CLEAN

EXAMPLE PART NUMBER

CB9302 V 3



UNLESS OTHERWISE SPECIFIED, ALL DIMENSIONS ARE IN INCHES AND TOLERANCES ARE AS SHOWN BELOW. DIMENSIONAL TOLERANCES AND SYMBOLS PER ANSI Y14.5M-1982.

PROPRIETARY PARTS SHOWN IN THIS DRAWING ARE THE SUBJECT OF ISSUED UNITED STATES AND FOREIGN PATENTS AND PATENTS PENDING. UNAUTHORIZED REPRODUCTION AND/OR DISTRIBUTION OF THIS DRAWING IS SPECIFICALLY PROHIBITED.

GLICK BOND

CARSON CITY
NEVADA 89706

ANGLES	±1°	APPROVALS		DATE
		DRAWN	DATE	TITLE
.XX	±.03	BPerez	9DEC03	MOUNT, CABLE TIE ANCHOR, SIZE 3
.XXX	±.010	CGH	12DEC03	
.XXXX	±.001	BPerez	9DEC03	

SIZE	CAGE CODE	DWG. NO.	REV.
A	66530	CB9302	4
SCALE 2/1		9DEC03	SHEET 1 OF 1