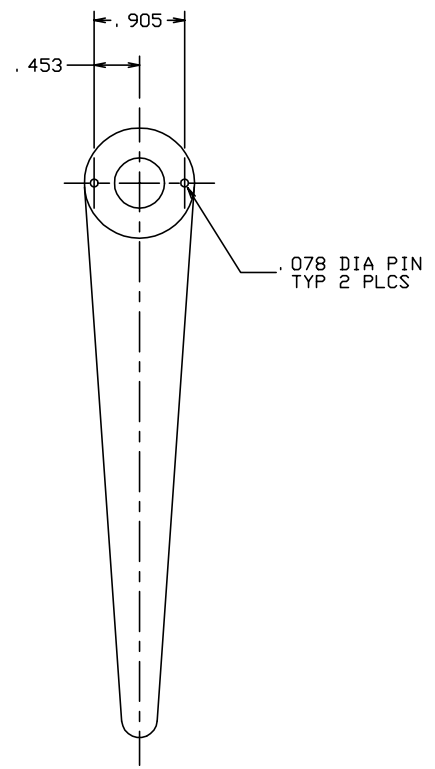
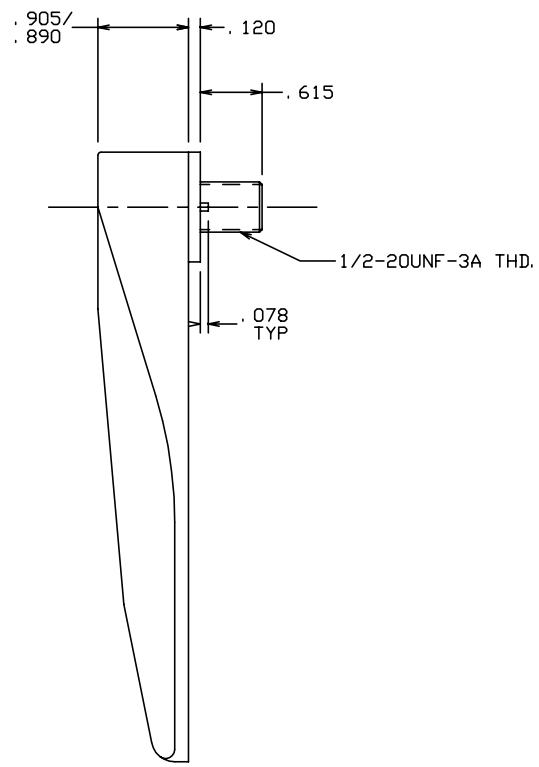
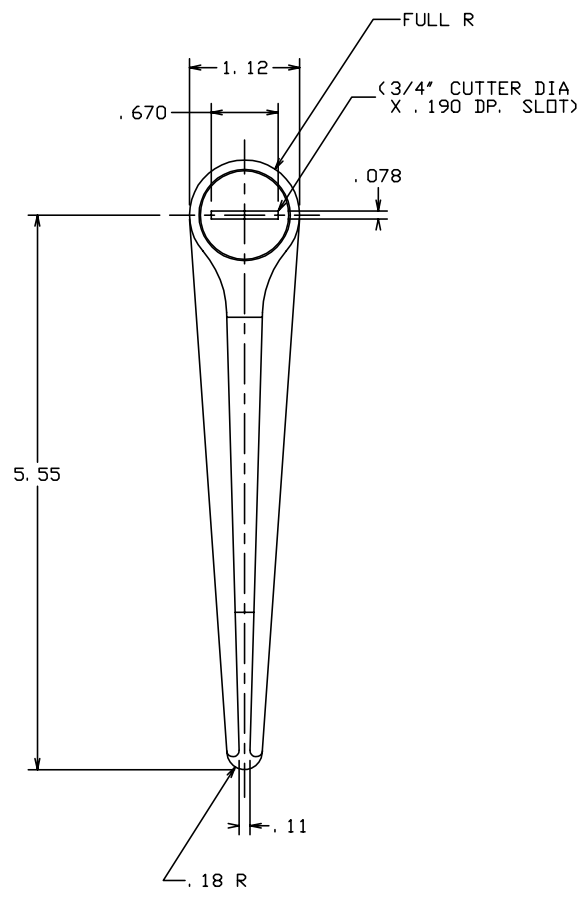



THE INFORMATION AND DESIGN HEREIN WAS ORIGINATED BY AND IS THE PROPERTY OF SKYLOCK INDUSTRIES INCORPORATED. SKYLOCK INDUSTRIES INCORPORATED RESERVES ALL PATENT, PROPRIETARY, DESIGN MANUFACTURING, REPRODUCTION, USE AND SALES RIGHTS THERE TO, AND TO ANY ARTICLE DISCLOSED THEREIN EXCEPT TO THE EXTENT RIGHTS ARE EXPRESSLY GRANTED TO OTHERS. THE FOREGOING DOES NOT APPLY TO VENDOR PROPRIETARY PARTS.

| REVISIONS | | | | |
|-----------|-----|--------------------|---------|----------|
| ZONE | LTR | DESCRIPTION | DATE | APPROVED |
| | NC | PRODUCTION RELEASE | 10-1-93 | T. CSIK |



5. SHAFT NEEDS NO TORQUE ADJUSTMENT. TIGHTEN SHAFT AS MUCH AS POSSIBLE WHEN INSTALLING RETAINER.
 4. DECORATIVE FINISH: RETAINER; BRIGHT BUFF AND CANDY APPLE RED ANODIZE, FACE OF BOLT, AND CAM; SATIN BUFF.
 3. FINISH: ALUM.; ANODIZE, CRES PARTS; PASSIVATE.
 2. MAT'L: RETAINER; 2024-T3 ALUM. ALLOY, BOLT; 17-4PH CRES., HEAT TREATED TO COND. H-900 PER MIL-H-6875. ALL OTHER PARTS; 300 SERIES CRES.
 1. REMOVE ALL BURRS AND BREAK SHARP EDGES.
- NOTES: UNLESS OTHERWISE SPECIFIED.

| | | | | | |
|-------------------------------|------------------|-----------------------------|---|-------------|--------------|
| -401 | | RETAINER ASSY | (180° ROTATION, DETENTED AT EACH 30°) | | |
| PART NO. | DESCRIPTION | MATERIAL SIZE SPECIFICATION | | | |
| PARTS LIST | | | | | |
| UNLESS OTHERWISE SPECIFIED | DRAWN BY T. CSIK | 10-1-93 |  SKYLOCK INDUSTRIES INCORPORATED MONROVIA CALIFORNIA U. S. A. | | |
| DIMENSIONS ARE IN INCHES | CHECKED | | | | |
| TOLERANCES ON | ENGINEER | | | | |
| DECIMALS ANGLES DRILLED HOLES | PROJECT | | | | |
| .X ± .1 ± 0° 30' AND 10387 | APPROVAL T. CSIK | 10-1-93 | 1/4 TURN RETAINER | | |
| .XX ± .03 | APPROVAL | | | | |
| .XXX ± .010 | | | | | |
| DO NOT SCALE THIS DRAWING | USED ON | SIZE | CODE IDENT. NO. | DRAWING NO. | REV. |
| MATERIAL - FINISH | | C | 51941 | 20861 | NC |
| NEXT ASSY | | SCALE | 1: 1 | VT. | SHEET 1 OF 1 |
| FINAL ASSY | (RGS2924) | | | | |