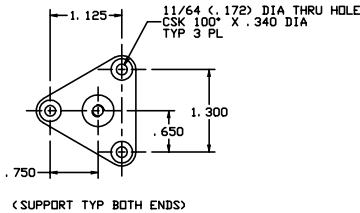
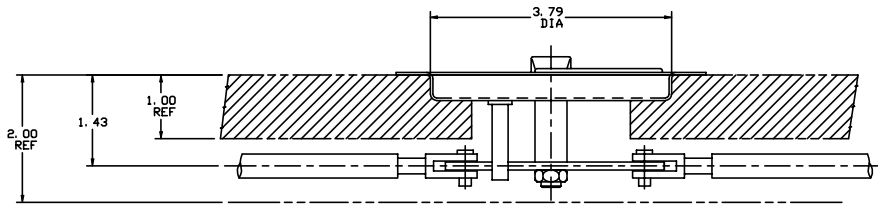
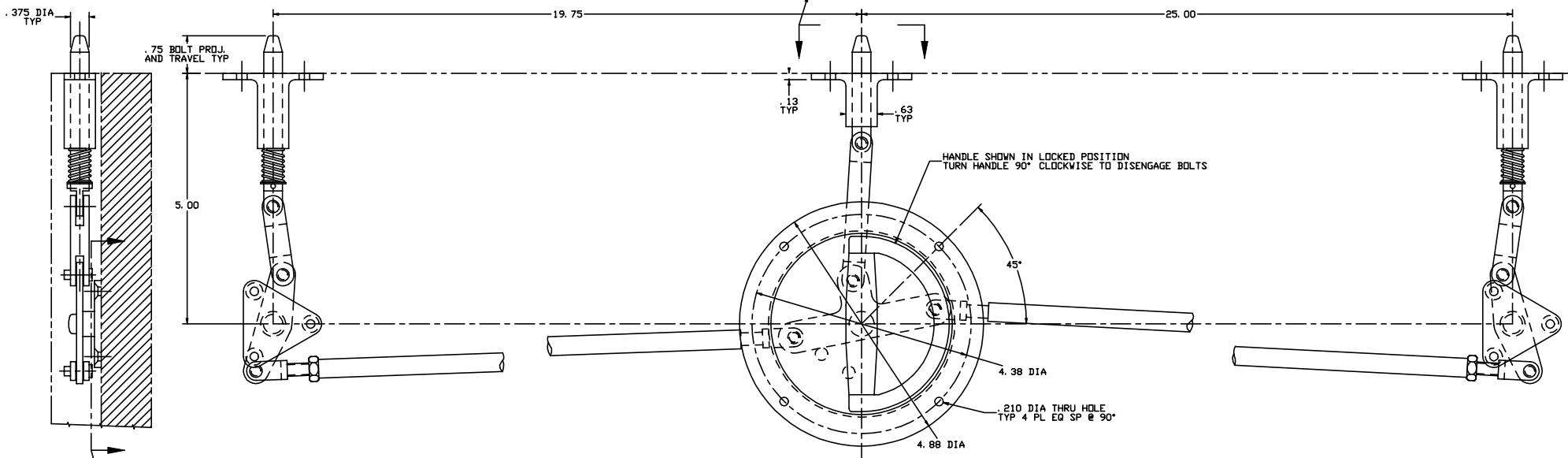
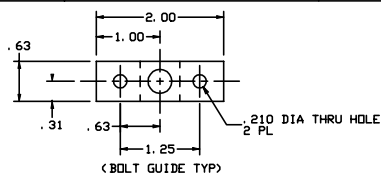


THE INFORMATION AND DESIGN HEREIN WAS DEVELOPED BY AND IS THE PROPERTY OF SKOLDK INDUSTRIES INCORPORATED. SKOLDK INDUSTRIES INCORPORATED RESERVES ALL PATENT, PROPRIETARY, DESIGN MANUFACTURING INFORMATION, USE AND SALES RIGHTS HEREIN, AND TO ANY ARTICLES DEVELOPED THEREIN EXCEPT TO THE EXTENT RIGHTS ARE EXPRESSLY GRANTED TO OTHERS. THE FOREGOING DOES NOT APPLY TO NON-PATENTABLE ITEMS.

NOTES: UNLESS OTHERWISE SPECIFIED.

1. REMOVE ALL BURRS AND BREAK SHARP EDGES.
2. MAT'L: CRES - ESCUTCHEON, BOLTS, BOLT GUIDES, SPINDLE, SPRINGS AND HARDWARE.
AL ALY - HANDLE ASSY, BELLCRANKS, CONNECTING TUBES, SUPPORT PLATES AND CLEVISSES.
3. FINISH: CRES - PASSIVATE PER QQ-P-35.
AL ALY - CLEAR ANODIZE PER MIL-A-8625.
4. DECORATIVE FINISH: POWDER COAT VISIBLE SURFACES AS DEFINED ON CUSTOMER PURCHASE ORDER. CUSTOMER WILL PROVIDE POWDER COAT MATERIAL, AND DEFINE SOURCE FOR PROCESSING.

REVISIONS				
ZONE	LTN	DESCRIPTION	DATE	APPROVED
NC		PRODUCTION RELEASE	8-1-97	T. C.



-401 DOOR BOLTING SYS.		ITEM NO.	
QTY REQD	PART NO.	DESCRIPTION	MATERIAL SIZE SPECIFICATION
PARTS LIST			
UNLESS OTHERWISE SPECIFIED		DRAWN BY T. CSIK	7-29-97
DIMENSIONS ARE IN INCHES		CHECKED	SKOLDK INDUSTRIES INCORPORATED MORNINGVIEW CALIFORNIA
TOLERANCES ON		DESIGNED	
DECIMALS	ANGLES	DILLED HOLES	
.0001	± 0° 30'	AND 100M7	
.0001	± 100° 0' 00"	PROJECT	
DO NOT SCALE THIS DRAWING		APPROVAL	
MATERIAL - FINISH		USED ON	
NEXT ASSY		SIZE D	CODE ENGR. NO. 51941
FINAL ASSY		DRAWING NO. 20943	REV. NC
SCALE 1:2		VS.	SHEET 1 OF 1

DOOR BOLTING SYSTEM,
FREIGHT COMPARTMENT