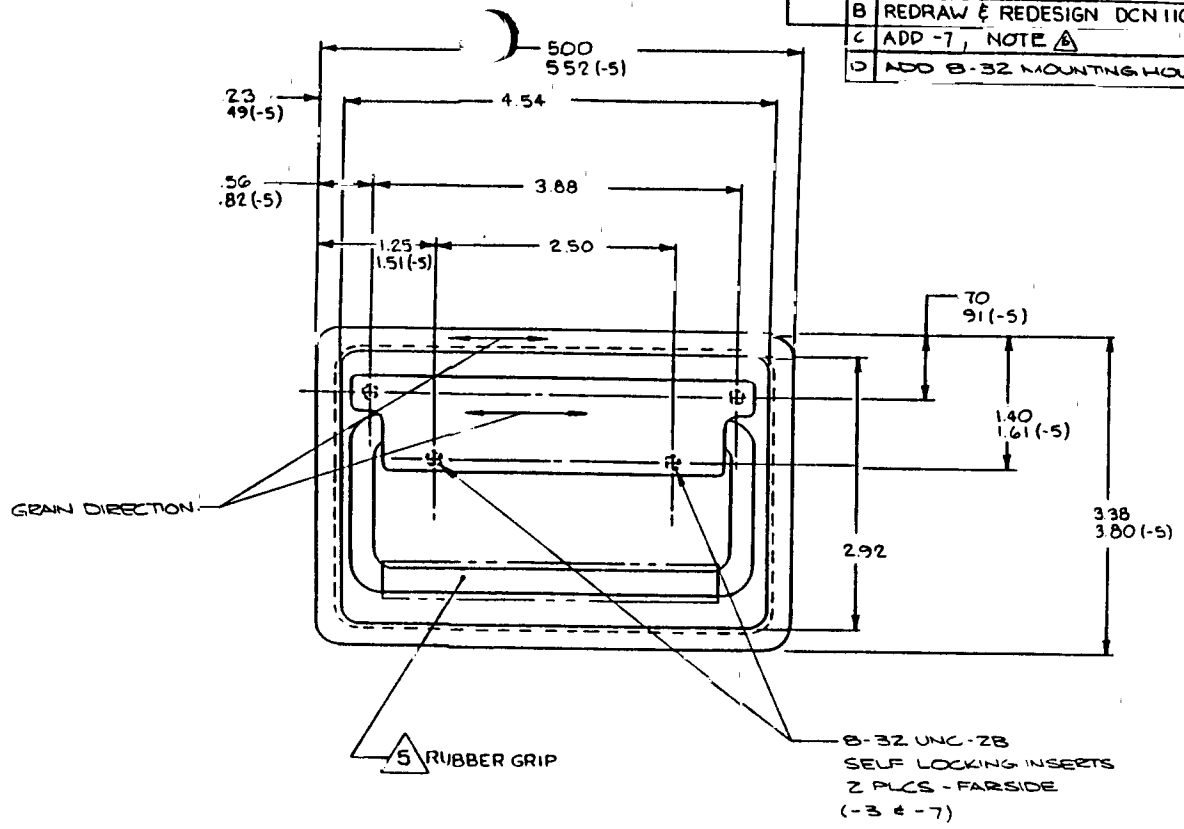
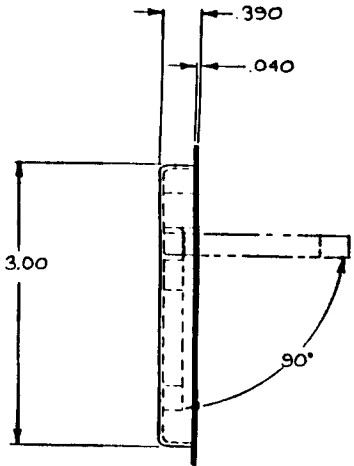


therein as apt to the extr  
 ing does not apply  
 expressly granted to others. The  
 proprietary parts

B	REDRAW & REDESIGN DCN 11014	8	approved
C	ADD -7, NOTE A	10	TG.
D	ADD 8-32 MOUNTING HOLES	9-3-91	JDL



- △ MAT'L: CASE, HANDLE AND HOUSING - ALUM ALLOY
- △ MAT'L: ID x .040 WALL BLACK NEOPRENE
- 4 DECORATIVE FINISH: SATIN BUFF
- 3 PROTECTIVE FINISH: PASSIVATE
- △ MAT'L: 300 SERIES CRES
- 1. REMOVE ALL BURRS AND SHARP CORNERS.
- NOTES: UNLESS OTHERWISE SPECIFIED.

	-7	HANDLE ASSY	SAME AS -3 EXCEPT AS NOTED	△
	-5	HANDLE ASSY	SAME AS -3 EXCEPT AS NOTED	△
	-3	HANDLE ASSY		△
	-1	HANDLE ASSY	OBSELETE 2-18-88	
qty reqd	part no	description	material size specification	item no

used on	final assy	final assy
application		qty reqd
unless otherwise specified		
Interpret drawing in accordance with MIL-D-1000		
remove all burrs break sharp edges .010 max		
all corner and fillet radii to be .020 max		

unless otherwise specified	drawn by SINGELARIS, T	7/10/88
dimensions are in inches	checked	
tolerances on decimals angles drilled holes ± .1 ± .0° 30' AND 10387 ± .03 ± .010	engineer	
do not scale this drawing	project	
	approval	
	approval	2/10/88

**Skylock Industries Incorporated**  
 Monrovia California

# PULL HANDLE

size	code ident no	drawing no	rev
C	51941	20274	D
scale	1/1	sheet	1 of 1