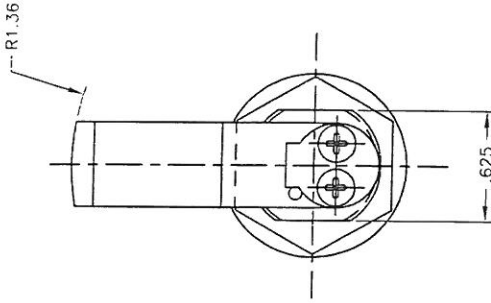
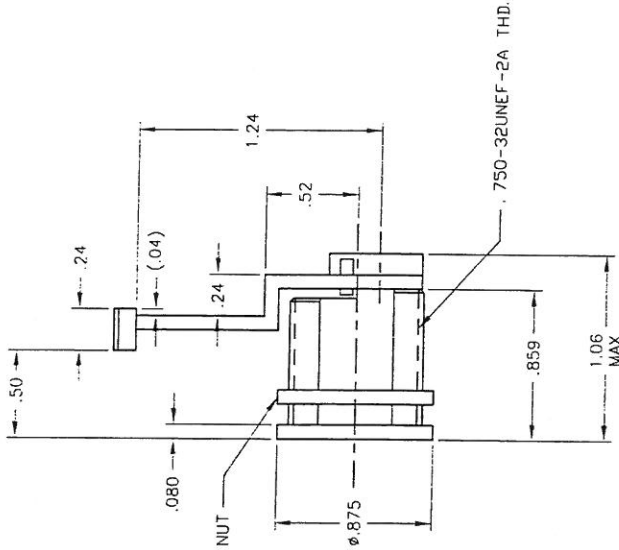
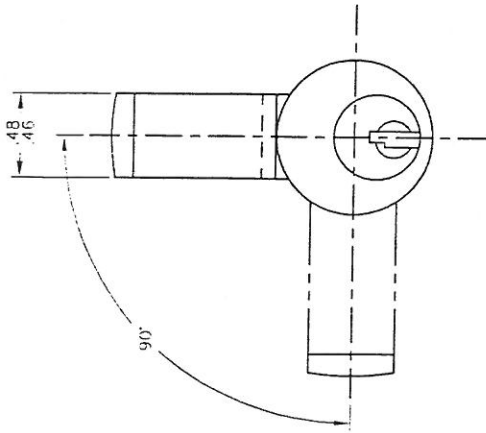


THE INFORMATION AND DATA HEREIN WAS OBTAINED BY AND IS THE PROPERTY OF SKYLOCK INDUSTRIES, INC. IT IS HEREBY ADVISED THAT THIS DRAWING IS THE PROPERTY OF SKYLOCK INDUSTRIES, INC. AND IS NOT TO BE REPRODUCED OR TRANSMITTED IN ANY FORM OR BY ANY MEANS, ELECTRONIC OR MECHANICAL, INCLUDING PHOTOCOPYING, RECORDING, OR BY ANY INFORMATION STORAGE AND RETRIEVAL SYSTEM, WITHOUT THE WRITTEN PERMISSION OF SKYLOCK INDUSTRIES, INC. THIS DRAWING IS THE PROPERTY OF SKYLOCK INDUSTRIES, INC. AND IS NOT TO BE REPRODUCED OR TRANSMITTED IN ANY FORM OR BY ANY MEANS, ELECTRONIC OR MECHANICAL, INCLUDING PHOTOCOPYING, RECORDING, OR BY ANY INFORMATION STORAGE AND RETRIEVAL SYSTEM, WITHOUT THE WRITTEN PERMISSION OF SKYLOCK INDUSTRIES, INC.

NOTES: UNLESS OTHERWISE SPECIFIED.

1. MAT'L: CYLINDER, PLUG & CAM; 300 SERIES CRES.
2. KEYING PINS AND KEYS; BRASS.
3. ROTATION 90°, KEY REMOVABLE IN LOCKED OR UNLOCKED POSITION.
4. FINISH: CYLINDER FACE; SATIN BRUSH, CRES PARTS; PASSIVATE.
5. KEYING COMPLIES WITH T4619 KEY. 2 KEYS FURNISHED PER ASSY.
6. FINISH: CYLINDER FACE; BRIGHT POLISH, CRES PARTS; PASSIVATE.



--401 SHOWN

REVISIONS		
ZONE	DESCRIPTION	DATE
NC	PRODUCTION RELEASE	8-20-92
A	REVISED PER CUSTOMER REQUEST	4-30-93
B	REVISED PER CUSTOMER REQUEST BY FAX DATED 6-2-93	6-3-93
C	SEE ECN C	9/15/09

D

QTY REQD	PART NO.	DESCRIPTION	MATERIAL	SIZE	SPECIFICATION	ITEM NO.
	-403	LOCK ASSY				
	-401	LOCK ASSY				

UNLESS OTHERWISE SPECIFIED		DRAWN BY: CSIK/8/20/92	
DIMENSIONS ARE IN INCHES		CHECKED BY: A. M. J. 9/17/09	
TOLERANCES ON		ENGINEER: A. M. J. 9/17/09	
FRACTIONS: .005		PROJECT: A. M. J. 9/17/09	
DECIMALS: .01		APPROVAL: T. CSIK/8-20-92	
ANGLES: 1° 30' AND 100°		USED BY:	
HOLE: 1/16" DIA.		MATERIAL - FINISH:	
DO NOT SCALE THIS DRAWING		PART ASSY:	
		FINISH ASSY:	

LOCK ASSY

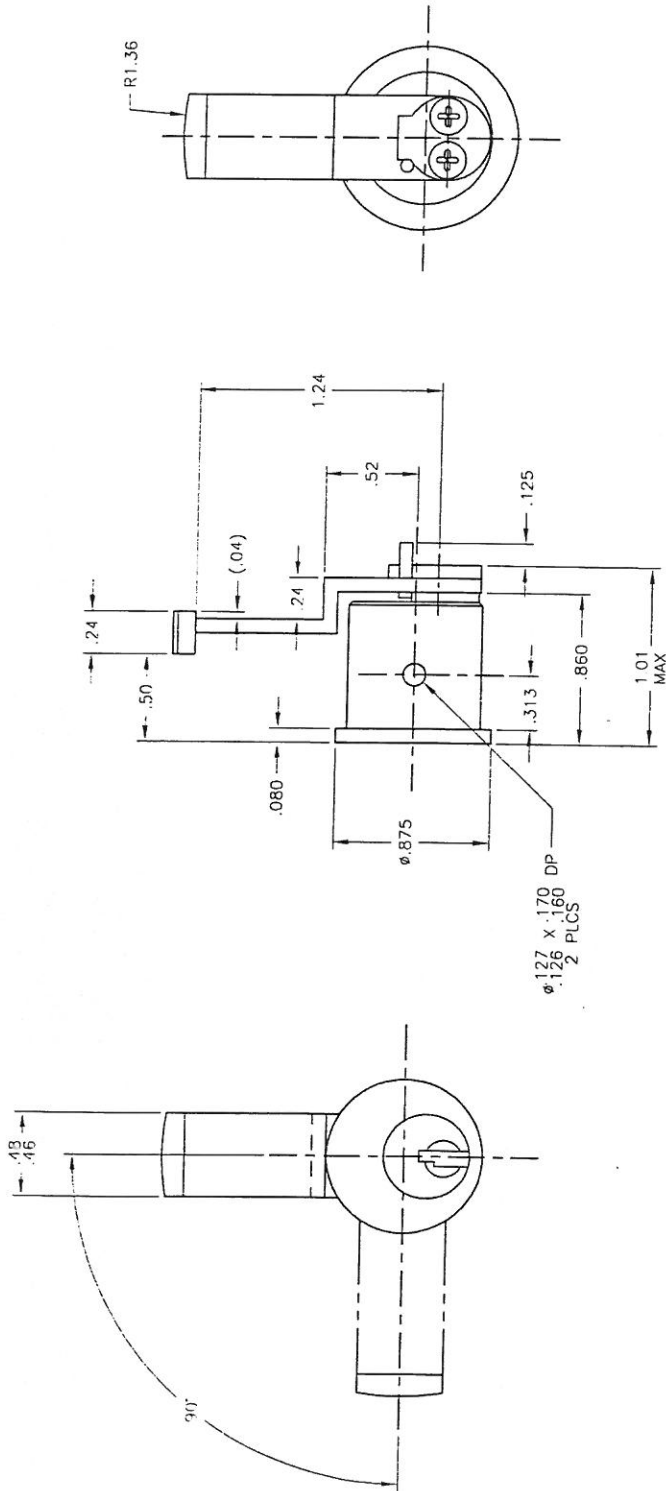
SIZE	CODE	REV.	DATE	BY
C	51941	20786		

C

SCALE 2:1

SHEET 1 OF 2

THIS INFORMATION AND DESIGN ARE THE PROPERTY OF SKYDACK INDUSTRIES, INC. AND IS TO BE KEPT CONFIDENTIAL. NO PART OF THIS DOCUMENT IS TO BE REPRODUCED OR TRANSMITTED IN ANY FORM OR BY ANY MEANS, ELECTRONIC OR MECHANICAL, INCLUDING PHOTOCOPYING, RECORDING, OR BY ANY INFORMATION STORAGE AND RETRIEVAL SYSTEM, WITHOUT THE WRITTEN PERMISSION OF SKYDACK INDUSTRIES, INC.



-403 SHOWN

SKYDACK INDUSTRIES, INC.
 1290 W. OPTICAL DRIVE
 AZUSA, CA 91702
 PHONE: (626) 334-2381 FAX: (626) 815-2595

LOCK ASSY	
CODE BENT NO.	DRAWING NO.
C 51941	20786
REV.	C
SCALE 2:1	SHEET 2 OF 2