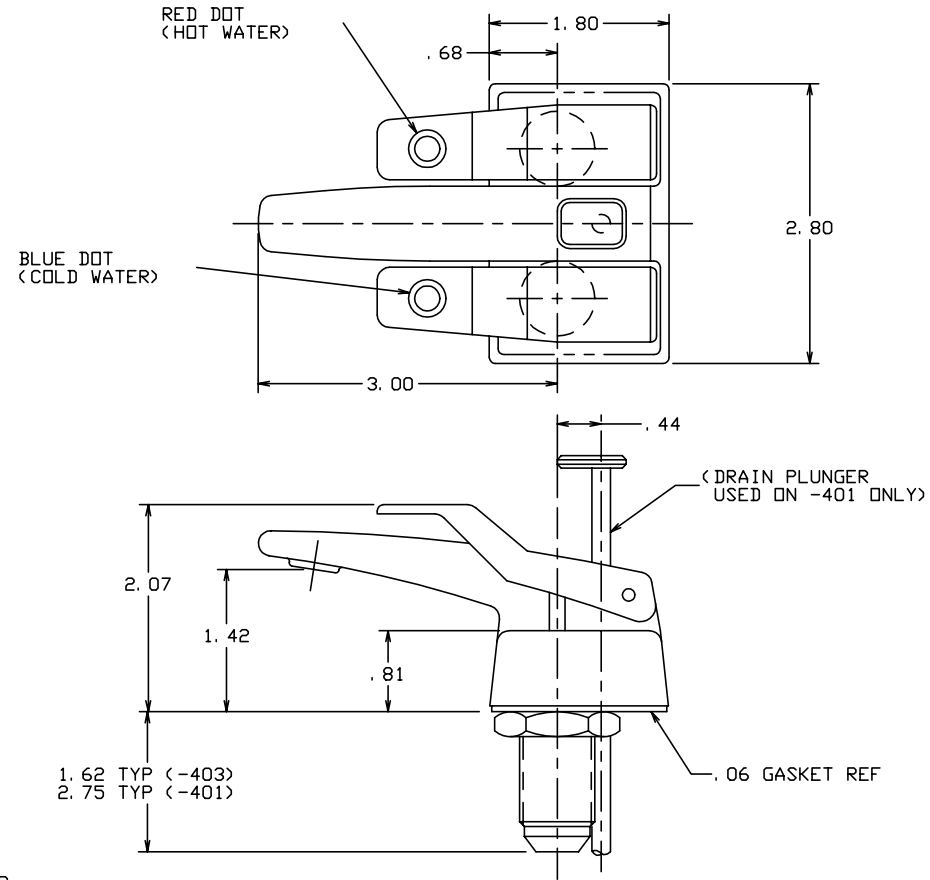
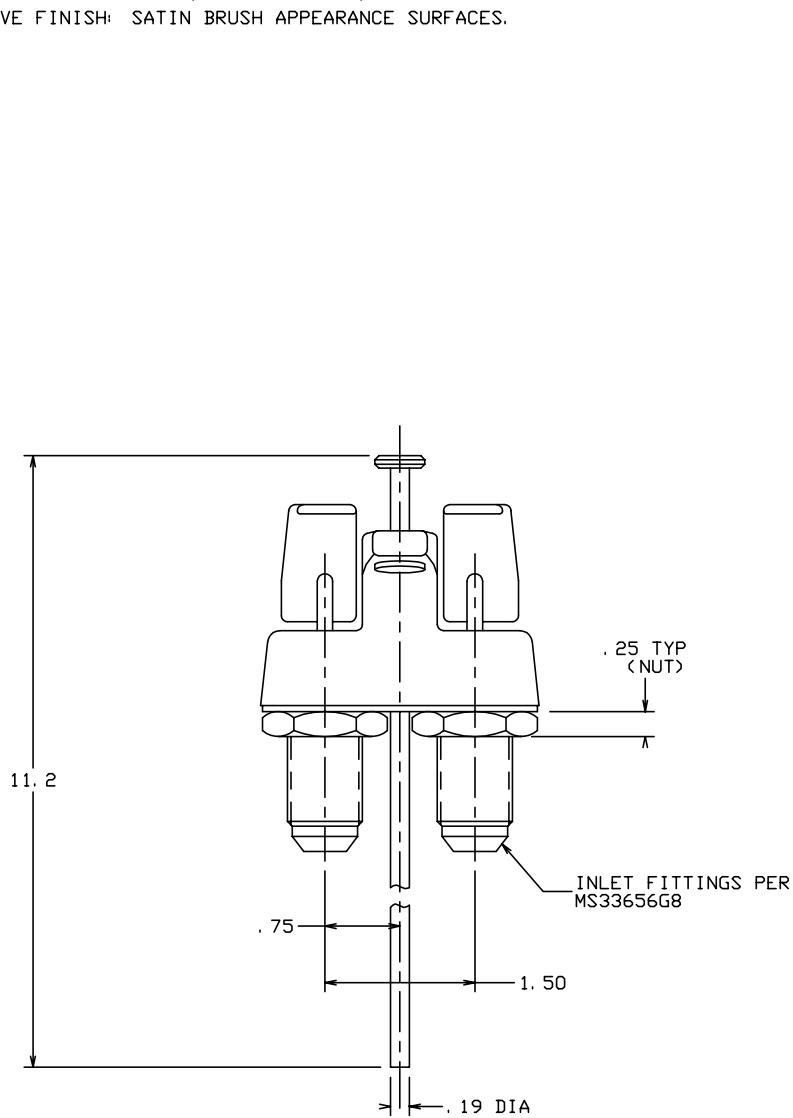


THE INFORMATION AND DESIGN HEREIN WAS ORIGINATED BY AND IS THE PROPERTY OF SKYLOCK INDUSTRIES INCORPORATED. SKYLOCK INDUSTRIES INCORPORATED RESERVES ALL PATENT, PROPRIETARY, DESIGN MANUFACTURING, REPRODUCTION, USE AND SALES RIGHTS THERE TO, AND TO ANY ARTICLE DISCLOSED THEREIN EXCEPT TO THE EXTENT RIGHTS ARE EXPRESSLY GRANTED TO OTHERS. THE FOREGOING DOES NOT APPLY TO VENDOR PROPRIETARY PARTS.

REVISIONS				
ZONE	LTR	DESCRIPTION	DATE	APPROVED
	D	REVISED AND REDRAWN PER CUST. REQUEST, AND FAX DATED 10-31-94	10-31-94	T. CSIK

NOTES: UNLESS OTHERWISE SPECIFIED.

- MAT'L: FAUCET BODY, HANDLES, PLUNGER, VALVES - 300 SERIES CRES.; THREADED FITTINGS, NUTS - BRASS; GASKET AND O-RINGS - RUBBER.
- DECORATIVE FINISH: SATIN BRUSH APPEARANCE SURFACES.



QTY REQD	PART NO.	DESCRIPTION	MATERIAL	SIZE	SPECIFICATION	ITEM NO.
	-403	FAUCET ASSY			(NO DRAIN PLUNGER)	
	-401	FAUCET ASSY				

PARTS LIST			
UNLESS OTHERWISE SPECIFIED	DRAWN BY	T. CSIK	3-18-94
DIMENSIONS ARE IN INCHES	CHECKED	S. CSIK	3-18-94
TOLERANCES ON	ENGINEER	T. CSIK	3-18-94
DECIMALS	PROJECT		
ANGLES	APPROVAL	T. SOUZA	3-18-94
DRILLED HOLES	APPROVAL		
.X ± .1			
.XX ± .03			
.XXX ± .010			

DO NOT SCALE THIS DRAWING		MATERIAL - FINISH		USED ON		SIZE	CODE IDENT. NO.	DRAWING NO.	REV.
						C	51941	90083	D
NEXT ASSY		FINAL ASSY		SCALE		1/1		VT.	SHEET 1 OF 1

FLUID MEDIA	TYPE	OPERATING PRESSURE	OPERATING TEMP.	FLOW
POTABLE WATER	SELF VENTING & BLEEDING	0-125 PSIG	35°F TO 225°F	100/140 OZ. /MIN. AT 70°F AND 30 P. S. I. INLET PRESSURE