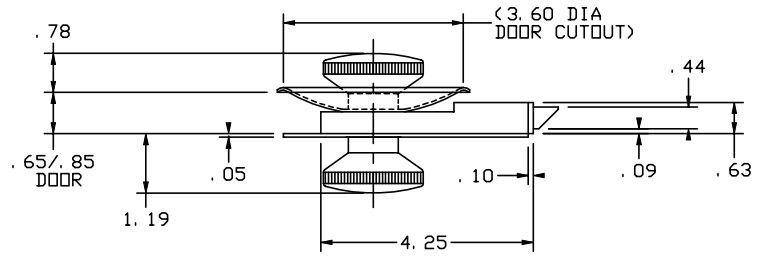
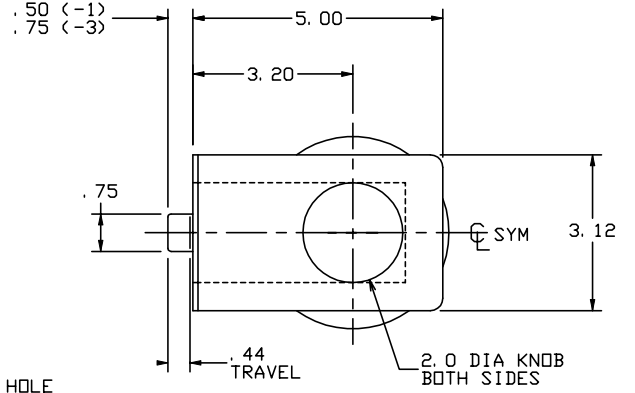
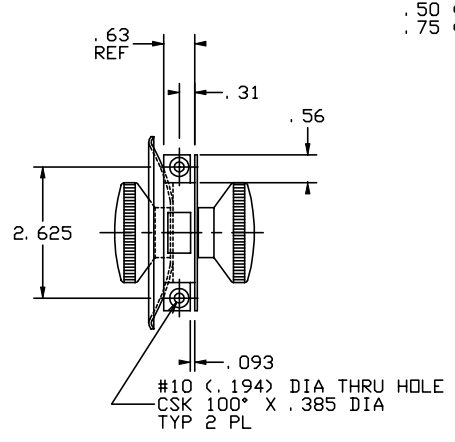
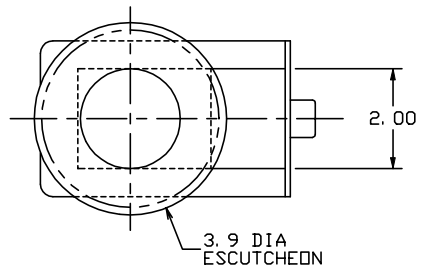


THE INFORMATION AND DESIGN HEREIN WAS ORIGINATED BY AND IS THE PROPERTY OF SKYLOCK INDUSTRIES INCORPORATED. SKYLOCK INDUSTRIES INCORPORATED RESERVES ALL PATENT, PROPRIETARY, DESIGN MANUFACTURING, REPRODUCTION, USE AND SALES RIGHTS THERE TO, AND TO ANY ARTICLE DISCLOSED THEREIN EXCEPT TO THE EXTENT RIGHTS ARE EXPRESSLY GRANTED TO OTHERS. THE FOREGOING DOES NOT APPLY TO VENDOR PROPRIETARY PARTS.

REVISIONS				
ZONE	LTR	DESCRIPTION	DATE	APPROVED
	NC	PRODUCTION RELEASE	11-17-77	JEE
	A	REDRAWN	8-6-97	T. CSIK
	B	REVISED G/N 4 ADDING OPTIONAL FINISH	11-6-97	T. CSIK
	C	SEE ECN C		

NOTES: UNLESS OTHERWISE SPECIFIED.

- MATERIAL: CASE ASSY, TURN KNOBS AND ESCUTCHEONS - ALUM. ALLOY. BOLT AND INTERNAL BUSHINGS - DELRIN ALL OTHER COMPONENTS - CRES.
- PROTECTIVE FINISH: ALUM. - CLEAR ANODIZE; CRES - PASSIVATE.
- LATCH BOLT IS SPRING LOADED TO THE EXTENDED POSITION. TURNING KNOB ON EITHER SIDE, OR SLAM ACTION RETRACTS BOLT AT ANY TIME.
- DECORATIVE FINISH: ALL VISIBLE METAL SURFACES - SATIN BUFF. OPTIONAL DECORATIVE FINISH: POWDER COAT ALL VISIBLE SURFACES AS DEFINED ON CUSTOMER PURCHASE ORDER. CUSTOMER WILL PROVIDE POWDER COAT MATERIAL, AND DEFINE SOURCE FOR PROCESSING.
- TO ORDER LATCH WITH REVERSE BOLT BEVEL, ADD -R: EX. 20238-1-R.



	-3	LATCH ASSY			
	-1	LATCH ASSY			
QTY REQD	PART NO.	DESCRIPTION	MATERIAL	SIZE SPECIFICATION	ITEM NO.
PARTS LIST					
UNLESS OTHERWISE SPECIFIED: DIMENSIONS IN INCHES		DRAWN BY JEE	11-17-77	SKYLOCK INDUSTRIES INCORPORATED MONROVIA CALIFORNIA U. S. A.	
TOLERANCES ON DRILLED HOLES AND 10387		CHECKED		DOOR LATCH ASSY	
DECIMALS		ENGINEER			
.X * .1		MFG			
.XX * .030		QC			
.XXX * .010					
DO NOT SCALE THIS DRAWING		USED ON	SIZE C	CODE IDENT. NO. 51941	DRAWING NO. 20238
			SCALE 1:2	VT.	SHEET 1 OF 1
					REV. C