

THE INFORMATION AND DESIGN HEREIN WAS ORIGINATED BY AND IS THE PROPERTY OF SOLIDEX INDUSTRIES INCORPORATED. SOLIDEX INDUSTRIES INCORPORATED RESERVES ALL PATENT, PROPRIETARY, DESIGN MANUFACTURING INFORMATION, USE AND SALES RIGHTS HEREIN, AND TO ANY ARTICLES DEVELOPED THEREIN EXCEPT TO THE EXTENT RIGHTS ARE EXPRESSLY GRANTED TO OTHERS. THE FOREGOING DOES NOT APPLY TO NON-PATENTABLE MATTER.

NOTES: UNLESS OTHERWISE SPECIFIED.

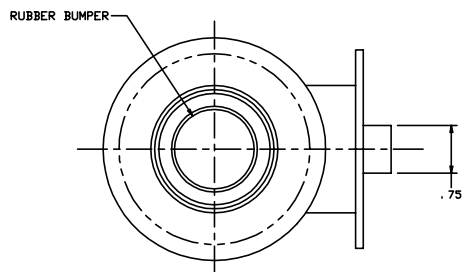
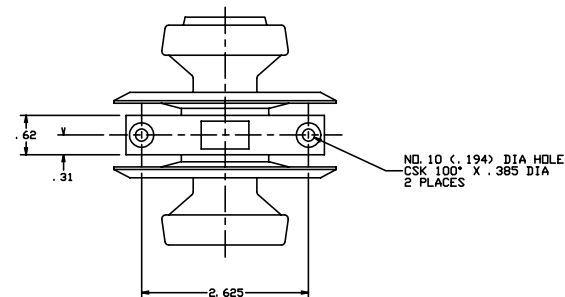
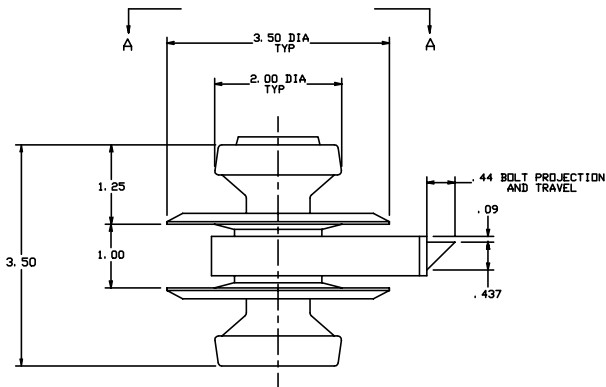
- MATERIAL: KNOB, ESCUTCHEON AND CASE; ALUM ALLOY, BUSHING & BOLT; DELRIN SPRINGS AND ALL OTHER COMPS; STEEL.
- PROTECTIVE FINISH: ALUM; ANODIZE, CRES; PASSIVATED, STEEL; CAD PLATED.
- DECORATIVE FINISH: SATIN BRUSH, AND CLEAR ANODIZE.
- OPERATION: KNOBS RETRACT BOLT AT ANY TIME.
- LATCH IS REPAIRABLE PER ATA 100.
- ORDER: TO ORDER LATCH WITH REVERSE BEVEL, ADD SUFFIX 'R' TO PART NO. AS SHOWN, EXAMPLE; 20243-1-R.
- USE WITH STRIKER NO. 20258.

⚠ PART -1 HAS RUBBER BUMPER ON 'G' SIDE.

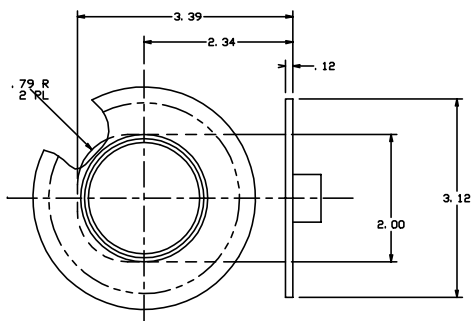
⚠ PART -3 HAS RUBBER BUMPER ON BOTH SIDES.

⚠ PART -5 HAS DECORATIVE ACRYLIC PLASTIC INSTEAD OF BUMPER.

REVISION				
ZONE	LTR	DESCRIPTION	DATE	APPROVED
	NC	PRODUCTION RELEASE	12-13-77	JEE
	A	REDRAWN	4-30-98	T. C.



VIEW A-A
G SIDE



R SIDE

	-5	LATCH ASSY	⚠			
	-3	LATCH ASSY	⚠			
	-1	LATCH ASSY	⚠			
QTY REQD	PART NO.	DESCRIPTION	MATERIAL	SIZE	SPECIFICATION	ITEM NO.
PARTS LIST						
UNLESS OTHERWISE SPECIFIED		DRAWN BY	JEE	12-13-77		
DIMENSIONS ARE IN INCHES		CHECKED		SOLIDEX INDUSTRIES INCORPORATED ROSELAND, CALIFORNIA		
TOLERANCES ON		DESIGNED		LATCH ASSEMBLY		
DECIMALS	ANGLES	DRIILLED HOLES				
.0005		± 0° 30'	AND 10007	DO NOT SCALE THIS DRAWING		
.0005		APPROVAL		MATERIAL - FINISH		
.0005		APPROVAL		USED ON		
.0005		APPROVAL		SIZE	CODE IDENT. NO.	DRAWING NO.
.0005		APPROVAL		D	51941	20243
.0005		APPROVAL		SCALE	1:1	VS.
.0005		APPROVAL		SHEET		1 OF 1