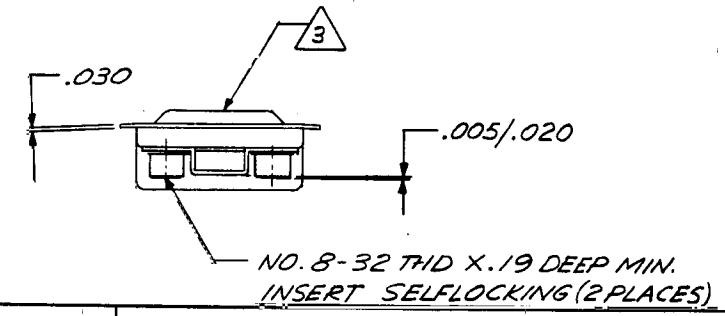
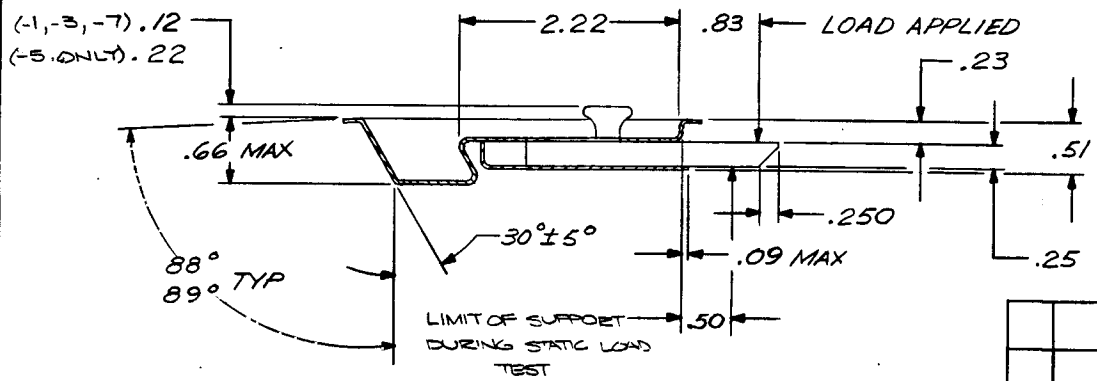
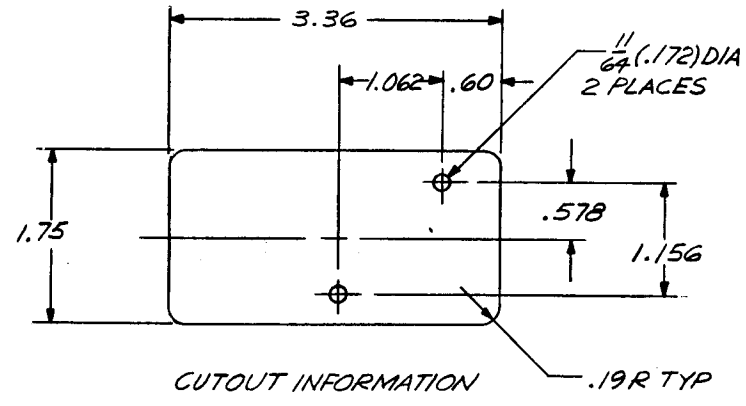
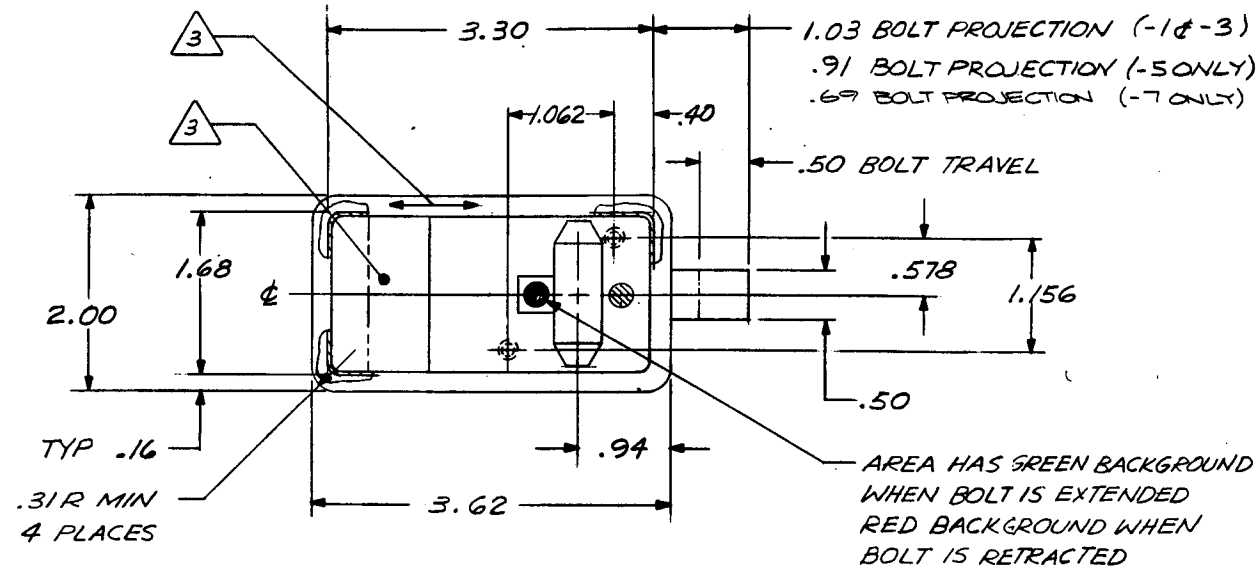


REVISIONS			
SYM	DESCRIPTION	DATE	BY
	EFFECTIVE ON	DISP EXIST PARTS	APPROVAL
A	ADDED -5 ASSY	12-7-89	SL
B	ADDED -7 ASSY	11-17-93	SL

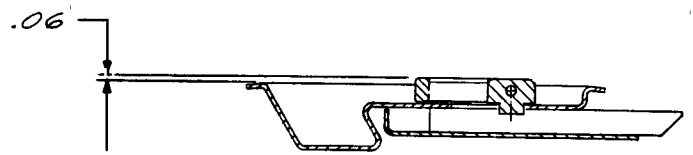
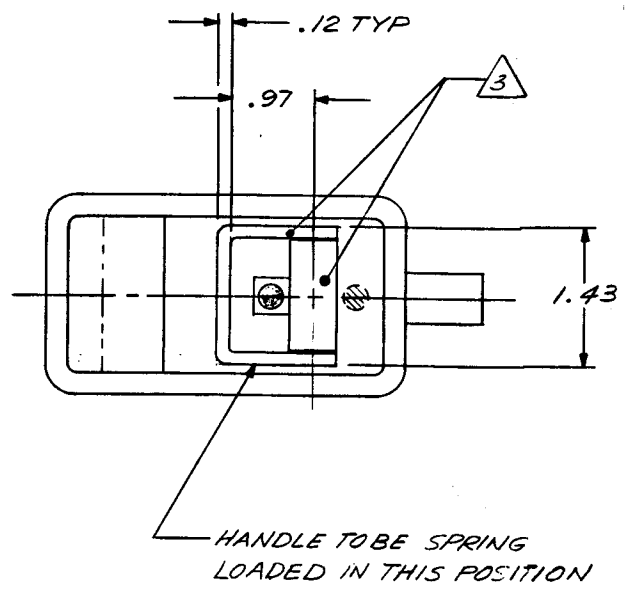


5. STATIC LOAD 500 LB MAX
  4. BOLT IS SPRING LOADED AND ALWAYS FREE TO LATCH.
  3. DECORATIVE FINISH: SATIN BUFF
  2. PROTECTIVE FINISH: HANDLE CLEAR ALODINE CRES PARTS; PASSIVATE.
  1. MATL: HANDLE ALUM ALLOY; ALL OTHER PARTS 300 SERIES CRES.
- NOTES: UNLESS OTHERWISE SPECIFIED.

REQD	PART NUMBER	DESCRIPTION	MATERIAL OR NOTE
	-7	LATCH ASSY	3/A -1 EXCEPT AS NOTED
	-5	LATCH ASSY	-5 LATCH ASSY (SAME AS -1 EXCEPT AS NOTED)
	-3	LATCH ASSY	-3 LATCH ASSY (SAME AS -1 EXCEPT AS NOTED)
	-1	LATCH ASSY	-1 LATCH ASSY (SHOWN)

APPLICATION		UNLESS OTHERWISE NOTED DIMENSIONS ARE IN INCHES. TOLERANCES ON: DECIMALS XX ± .03 XXX ± .010 ANGLES 3 ± .30 DRILLED HOLES PER ANSI10387		CONTRACT NO.	SKYLOCK INDUSTRIES, INC. SOUTH EL MONTE, CALIFORNIA
NEXT ASSY	USED ON	SURFACE ROUGHNESS	HEAT TREAT	DRAFTERMAN M Job 5-9-73	
		FINISH	INSPECT	CHECKER H. M. 5-9-73	
		REF. NO.		ENGINEER M. J. 5-10-73	
				PROD. BRPD M. J. 5-10-73	
				APPROVAL M. J. 5-10-73	
		SIZE	CODE IDENT NO.	LATCH ASSEMBLY-SLAM	
		C	51941	20073	
		SCALE 1/1/1	WT CALC	WT ACT	SHEET 1 OF 2

REVISIONS			
SYM	DESCRIPTION	DATE	BY
	EFFECTIVE ON	DISP EXIST PARTS	APPROVAL



- 3 LATCH ASSY SHOWN  
SAME AS -1 LATCH ASSY EXCEPT  
AS SHOWN

SEE SHEET NO. 1 FOR NOTES

RECD	PART NUMBER	DESCRIPTION	MATERIAL OR NOTE						
		UNLESS OTHERWISE NOTED DIMENSIONS ARE IN INCHES. TOLERANCES ON: DECIMALS .XX ± .03, .XXX ± .010 ANGLES 0 ± 30 DRILLED HOLES PER ANSI 10387	CONTRACT NO.						
		SURFACE ROUGHNESS	DRAFTSMAN <i>M. Forte</i> 5-10-73						
		HEAT TREAT	CHECKER <i>H. M. [unclear]</i> 5-11-73						
		FINISH	ENGINEER <i>M. Forte</i> 5-11-73						
		INSPECT	PROD. APPD <i>[unclear]</i> 5-11-73						
		REF. NO.	APPROVAL <i>[unclear]</i> 5-11-73						
		APPLICATION	<table border="1"> <tr> <td>SIZE</td> <td>CODE IDENT NO.</td> <td>20073</td> </tr> <tr> <td>C</td> <td>51941</td> <td></td> </tr> </table>	SIZE	CODE IDENT NO.	20073	C	51941	
SIZE	CODE IDENT NO.	20073							
C	51941								
			SCALE 1/1   WT CALC   WT ACT   SHEET 2						

SKYLOCK INDUSTRIES, INC.  
SOUTH EL MONTE, CALIFORNIA

LATCH ASSEMBLY - SLAM