

4

3

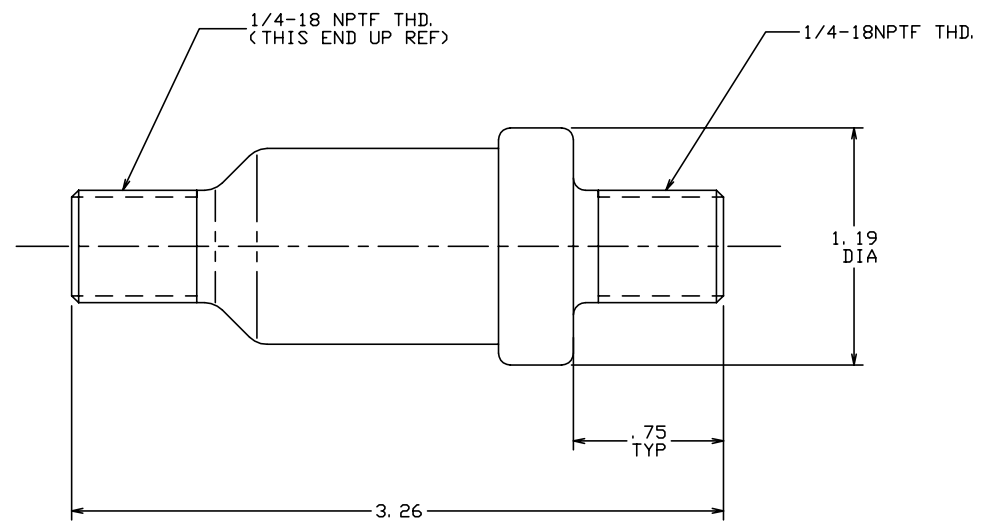
2

1


THE INFORMATION AND DESIGN HEREIN WAS ORIGINATED BY AND IS THE PROPERTY OF SKYLOCK INDUSTRIES INCORPORATED. SKYLOCK INDUSTRIES INCORPORATED RESERVES ALL PATENT, PROPRIETARY, DESIGN MANUFACTURING, REPRODUCTION, USE AND SALES RIGHTS THERE TO, AND TO ANY ARTICLE DISCLOSED THEREIN EXCEPT TO THE EXTENT RIGHTS ARE EXPRESSLY GRANTED TO OTHERS. THE FOREGOING DOES NOT APPLY TO VENDOR PROPRIETARY PARTS.

REVISIONS				
ZONE	LTR	DESCRIPTION	DATE	APPROVED
	NC	PRODUCTION RELEASE	3-30-93	T. CSIK
	A	DIM. 1.19 DIA WAS 1.06 DIA, INT. FLOAT MAT'L WAS ST. STL.	6-2-93	T. CSIK

- NOTES: UNLESS OTHERWISE SPECIFIED.
- REMOVE ALL BURRS AND BREAK SHARP EDGES.
  - MAT'L: EXTERNAL HOUSING; ST. STL., INTERNAL FLOAT; NYLON, O-RING SEALS; NITRILE RUBBER.
  - DESCRIPTION: THIS VALVE IS DESIGNED TO ALLOW THE VENTING OF AIR FROM A WATER RESERVOIR DURING FILLING AND DRAINING, AND TO CLOSE WHEN THE RESERVOIR IS FULL OF POTABLE WATER.  
THE VALVE CONTAINS A FLOAT ASSY THAT REMAINS IN THE OPEN POSITION DURING FILLING AND DRAINING, AND CLOSES (OR SEALS) WHEN THE WATER LEVEL BEGINS FILLING THE VENT VALVE AND CAUSES THE FLOAT TO RISE AND SEAL.
  - INSTALLATION: THE VALVE MUST BE INSTALLED IN A VERTICAL POSITION, WITH THE INLET FITTING UP.



FLUID MEDIA	OPERATING PRESSURE	OPERATING TEMP.
POTABLE WATER	0-250 PSIG	35°F TO 200°F

		-401	VENT VALVE			
QTY REQD	PART NO.	DESCRIPTION		MATERIAL SIZE SPECIFICATION		ITEM NO.
PARTS LIST						
UNLESS OTHERWISE SPECIFIED			DRAWN BY	T. CSIK	3-30-93	 SKYLOCK INDUSTRIES INCORPORATED MONROVIA CALIFORNIA U. S. A.
DIMENSIONS ARE IN INCHES			CHECKED			
TOLERANCES ON			ENGINEER			
DECIMALS ANGLES DRILLED HOLES			PROJECT			
.X ± .1 ± 0° 30' AND 10387			APPROVAL	T. CSIK	3-30-93	VENT VALVE
.XX ± .03			APPROVAL			
.XXX ± .010			APPROVAL			
DO NOT SCALE THIS DRAWING			USED ON			
MATERIAL - FINISH			SIZE	CODE IDENT. NO.	DRAWING NO.	REV.
NEXT ASSY			C	51941	90069	A
FINAL ASSY			SCALE	1: 1	WT.	SHEET 1 OF 1

4

3

2

1