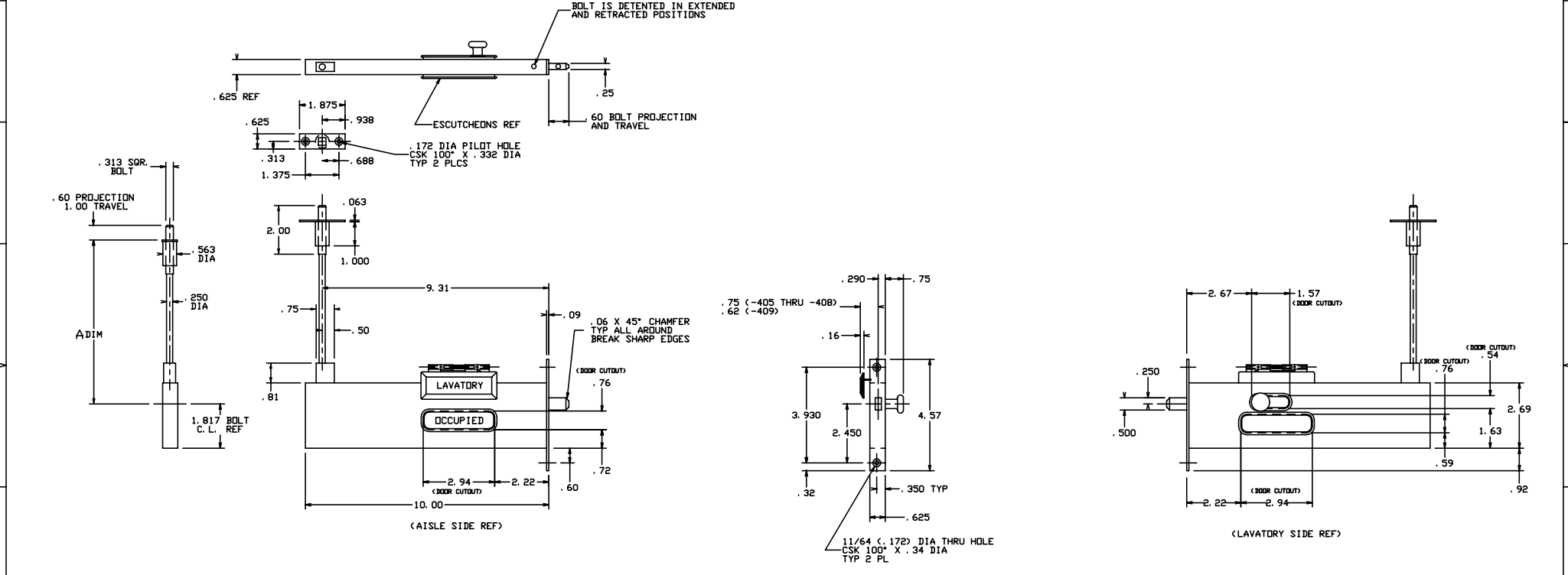


8 7 6 5 4 3 2 1

THE INFORMATION AND DESIGN HEREIN WAS ORIGINATED BY AND IS THE PROPERTY OF SKYLARK INDUSTRIES INCORPORATED. SKYLARK INDUSTRIES INCORPORATED HEREBY RECEIVES ALL PATENT, PROPRIETARY, DESIGN MANUFACTURING INFORMATION, USE AND SALES RIGHTS THEREIN, AND TO ANY ARTICLES DEVELOPED THEREIN EXCEPT TO THE EXTENT RIGHTS ARE EXPRESSLY GRANTED TO OTHERS. THIS PROVISION DOES NOT APPLY TO NON-PROPRIETARY PARTS.

REVISIONS				
ZONE	LTR	DESCRIPTION	DATE	APPROVED
	NC	PRODUCTION RELEASE	5-19-94	T. C.
	A	ADDED DIM. B. 31	7-14-94	T. C.
	B	SEE ECN B	2-2-99	T. C.



8. PER FAR 45.15. PARTS WILL BE IDENTIFIED WITH:
 1. FAA-PMA.
 2. SKYLARK IND. INC.
 3. PART NO.
 4. AIRCRAFT ELIGIBILITY.

7. LATCH OPERATION: LAVATORY SIDE ACTUATOR KNOB EXTENDS AND RETRACTS BOLT. INDICATOR SIGN READS "VACANT" WHEN BOLT IS RETRACTED, AND "OCCUPIED" WHEN BOLT IS EXTENDED. FOR EMERGENCY ACCESS FROM AISLE SIDE, LIFT "LAVATORY" SIGN AND MOVE KNOB.

6. LIGHT FROM LAVATORY SIDE ILLUMINATES INDICATOR SIGN THRU TRANSLUCENT WINDOW.

5. LATCH IS SPRING BIASED TO THE EXTENDED OR RETRACTED POSITIONS.

4. INDICATOR SIGN: LETTERING TO BE CENTERED IN WINDOW, LETTERING STYLE - HELVETICA BOLD, LOWER CASE, LETTERING COLOR - BLACK, UNLESS OTHERWISE SPECIFIED; LETTERING SIZE - .25" HIGH.

3. PROTECTIVE FINISH: ALUM. - CLEAR ANODIZE; CRES - PASSIVATE.

2. DECORATIVE FINISH: ALL VISIBLE METAL SURFACES - SATIN BUFF.

1. MATERIAL: CASE ASSY, ACTUATOR KNOB - ALUM. ALLOY; INDICATOR SIGN AND WINDOW - DELRIN; BOLT AND ALL OTHER COMPONENTS - CRES.

NOTES: UNLESS OTHERWISE SPECIFIED.

EXAMPLE PART NO.: 20893-405-2050

'A' DIM. = 20.50 INCHES

	-409	INDICATOR LATCH	(SHOWN) (.75 PANEL THICKNESS)
	-408	INDICATOR LATCH	(OPP. -407) (1.00 PANEL THICKNESS)
	-407	INDICATOR LATCH	(SHOWN) (1.00 PANEL THICKNESS)
	-406	INDICATOR LATCH	(OPP. -405) (.75 PANEL THICKNESS)
	-405	INDICATOR LATCH	(SHOWN) (.75 PANEL THICKNESS)

QTY REQD	PART NO.	DESCRIPTION	MATERIAL	SIZE	SPECIFICATION
PARTS LIST					
UNLESS OTHERWISE SPECIFIED					
DIMENSIONS ARE IN INCHES					
TOLERANCES ON DECIMALS .010 .015 .020 .030 .050 .100 .150 .300 .500 1.000 1.500 3.000					
ANGLES 8° 10° 15° 20° 30° 45° 60° 90° 120° 150° 180°					
DRILLED HOLES					

DRAWN BY T. CSIK	DATE 5-19-94		SKYLARK INDUSTRIES INCORPORATED MONROVIA CALIFORNIA
CHECKED BY D. VO	DATE 8/9/99		
DESIGNED BY T. CSIK	DATE 8/9/99	INDICATOR LATCH	
WFO BY P. MATSUOKA	DATE 8/10/99		
RC BY J. VIVIRITO	DATE 8/24/99		

DO NOT SCALE THIS DRAWING			
MATERIAL - FINISH	USED ON	SIZE D	CODE IDENT. NO. 51941
NEXT ASBY		DRAWING NO. 20893	REV. B
FINAL ASBY		SCALE 1:1	DATE 1999

SHEET 1 OF 1