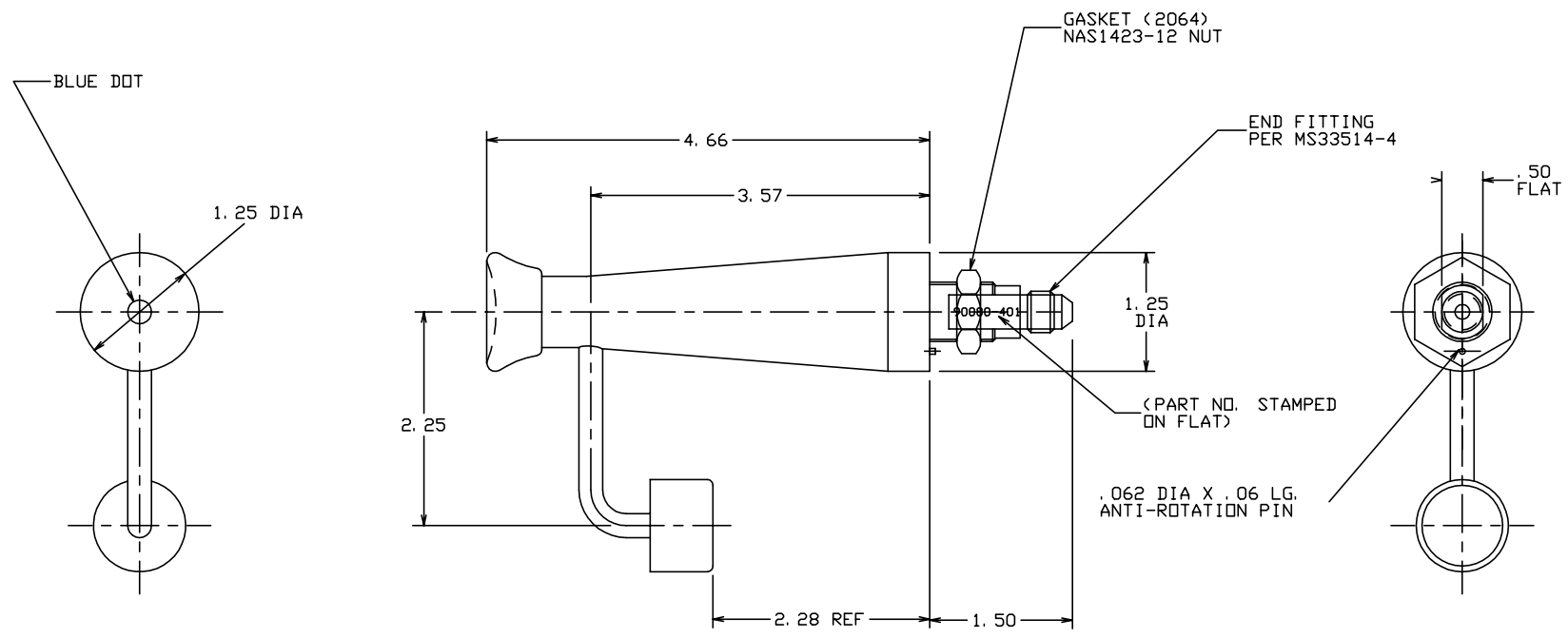


THE INFORMATION AND DESIGN HEREIN WAS ORIGINATED BY AND IS THE PROPERTY OF SKYLOCK INDUSTRIES INCORPORATED. SKYLOCK INDUSTRIES INCORPORATED RESERVES ALL PATENT, PROPRIETARY, DESIGN MANUFACTURING, REPRODUCTION, USE AND SALES RIGHTS THERE TO, AND TO ANY ARTICLE DISCLOSED THEREIN EXCEPT TO THE EXTENT RIGHTS ARE EXPRESSLY GRANTED TO OTHERS. THE FOREGOING DOES NOT APPLY TO VENDOR PROPRIETARY PARTS.

REVISIONS				
ZONE	LTR	DESCRIPTION	DATE	APPROVED
	NC	PRODUCTION RELEASE	2-22-94	T. CSIK

- NOTES: UNLESS OTHERWISE SPECIFIED.
- MAT'L: SPIGOT BODY, AND PUSH BUTTON; BRASS, VALVE ASSY; CRES.
  - DECORATIVE FINISH: BRIGHT CHROME PLATE.



-401		SPIGOT ASSY								
QTY REQD	PART NO.	DESCRIPTION	MATERIAL	SIZE	SPECIFICATION	ITEM NO.				
PARTS LIST										
UNLESS OTHERWISE SPECIFIED		DRAWN BY	T. CSIK	2-1-94	SKYLOCK INDUSTRIES INCORPORATED MONROVIA CALIFORNIA U. S. A.					
DIMENSIONS ARE IN INCHES		CHECKED	S. CSIK	2-22-94						
TOLERANCES ON		ENGINEER	T. CSIK	2-1-94						
DECIMALS ANGLES DRILLED HOLES		PROJECT								
.X ± .1 ± 0° 30' AND 10387		APPROVAL	T. SOUZA	2-22-94	SPIGOT ASSY					
.XX ± .03		DO NOT SCALE THIS DRAWING	APPROVAL							
.XXX ± .010		MATERIAL - FINISH	USED ON	SIZE				CODE IDENT. NO.	DRAWING NO.	REV.
		NEXT ASSY		C				51941	90080	NC
		FINAL ASSY		SCALE 1/1 & NOTED		SHEET 1 OF 1				

FLUID MEDIA	TYPE	OPERATING PRESSURE	OPERATING TEMP.	FLOW
POTABLE WATER	SELF VENTING & BLEEDING	0-125 PSIG	35°F TO 225°F	100/140 OZ. /MIN. AT 70°F AND 30 P. S. I. INLET PRESSURE