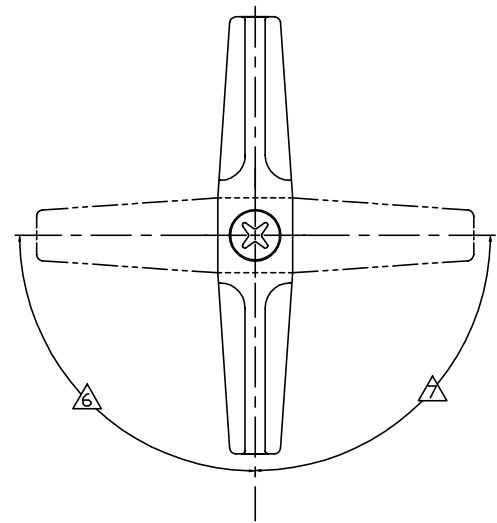
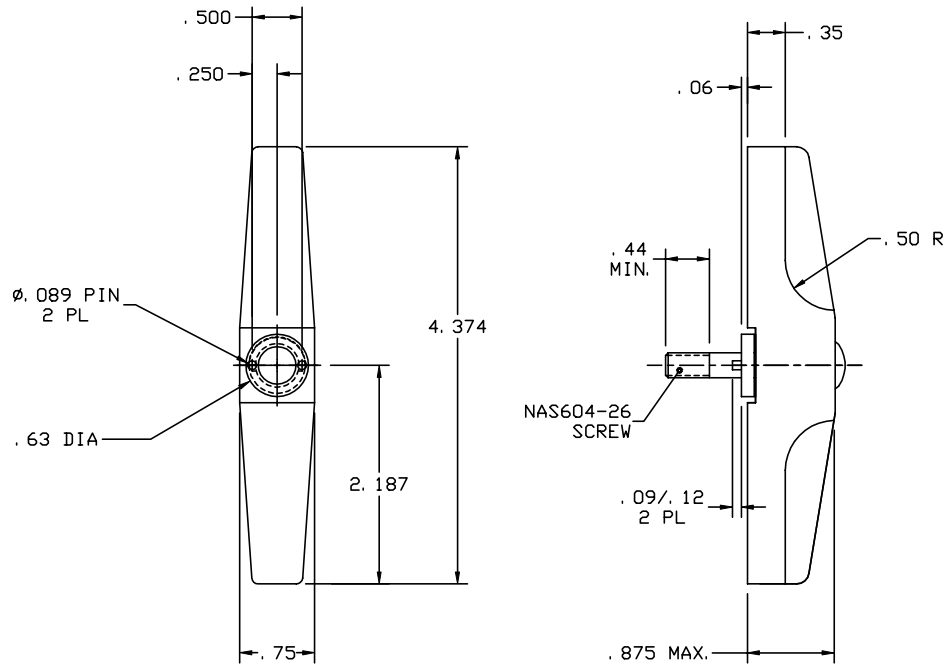


THE INFORMATION AND DESIGN HEREIN WAS ORIGINATED BY AND IS THE PROPERTY OF SKYLOCK INDUSTRIES INCORPORATED. SKYLOCK INDUSTRIES INCORPORATED RESERVES ALL PATENT, PROPRIETARY, DESIGN MANUFACTURING, REPRODUCTION, USE AND SALES RIGHTS THERE TO, AND TO ANY ARTICLE DISCLOSED THEREIN EXCEPT TO THE EXTENT RIGHTS ARE EXPRESSLY GRANTED TO OTHERS. THE FOREGOING DOES NOT APPLY TO VENDOR PROPRIETARY PARTS.

REVISIONS				
ZONE	LTR	DESCRIPTION	DATE	APPROVED
	B	SEE ECN B		



-401, -403 RETAINER

8. APPLICABLE TO FAA-PMA REPLACEMENT OR MODIFICATION PARTS ONLY. PER FAR 45.15, PARTS WILL BE IDENTIFIED WITH:
1. FAA-PMA.
  2. SKYLOCK IND. INC.
  3. PART NO.
  4. AIRCRAFT INSTALLATION ELIGIBILITY.

- △ ROTATION: 90° RIGHT HAND.  
 △ ROTATION: 90° LEFT HAND.

5. THE FOLLOWING STATIC LOAD IS FOR REFERENCE USE ONLY. IT IS PROVIDED FOR CUSTOMER ENGINEERING TO DETERMINE THE GENERAL SUITABILITY OF THE PRODUCT FOR ITS INTENDED USE. ALTHOUGH SKYLOCK IS PROVIDING THE REFERENCE STATIC LOAD, THE CUSTOMER IS ULTIMATELY RESPONSIBLE FOR CERTIFICATION OF THE PRODUCT FOR ITS SPECIFIC APPLICATION. REFERENCE STATIC LOAD: 1400 LBS. MAX. (BOTH SIDES COMBINED).

△ DECORATIVE FINISH REF: BRIGHT POLISH, AND ANODIZE PER MIL-A-8625, TYPE II, CLASS 2, DYED CANDY APPLE RED.

3. FINISH REF: ALUM PARTS; ANODIZE PER MIL-A-8625, OR EQUIV. CRES PARTS; PASSIVATE PER AMS-QQ-P-35, OR EQUIV.

2. MAT'L REF: TURN; 6061-T6/T651 PER ASTM B-221, OR EQUIV. CAM; 303 CRES, COND. A, PER AMS-5640N, OR EQUIV.

1. REMOVE ALL BURRS AND SHARP CORNERS.

NOTES: UNLESS OTHERWISE SPECIFIED

	-403	RETAINER	△4 △6	120603-403	
	-401	RETAINER	△4 △7	120603-401	
	PART NO.	DESCRIPTION	MATERIAL SIZE APPLICATION	MAKE FROM	
PARTS LIST					
UNLESS OTHERWISE SPECIFIED	DRAWN BY	SINGELAKIS, T	9/25/87	SKYLOCK INDUSTRIES INCORPORATED MONROVIA CALIFORNIA U. S. A.	
DIMENSIONS ARE IN INCHES	CHECKED	T. CSIK	8/18/99		
TOLERANCES ON	ENGINEER	T. CSIK	8/18/99		
DECIMALS ANGLES DRILLED HOLES	MFG	P. MATSUOKA	8/19/99		
.X ± .1 ± 0° 30' AND 10387 .XXX ± .010	QC	J. VIVIRITO	8/18/99		
DO NOT SCALE THIS DRAWING					
MATERIAL - FINISH	USED ON	SIZE	CODE IDENT. NO.	DRAWING NO.	REV.
		C	51941	20603	B
NEXT ASSY		SCALE		VT.	SHEET 1 OF 1
MANUFACTURE IN ACCORDANCE WITH SKYLOCK IND. INC., QUALITY CONTROL MANUAL QC.001					

20603 RETAINER