

4

3

2

1

THE INFORMATION AND DESIGN HEREIN WAS ORIGINATED BY AND IS THE PROPERTY OF SKYLOCK INDUSTRIES INCORPORATED. SKYLOCK INDUSTRIES INCORPORATED RESERVES ALL PATENT, PROPRIETARY, DESIGN MANUFACTURING, REPRODUCTION, USE AND SALES RIGHTS THERE TO, AND TO ANY ARTICLE DISCLOSED THEREIN EXCEPT TO THE EXTENT RIGHTS ARE EXPRESSLY GRANTED TO OTHERS. THE FOREGOING DOES NOT APPLY TO VENDOR PROPRIETARY PARTS.

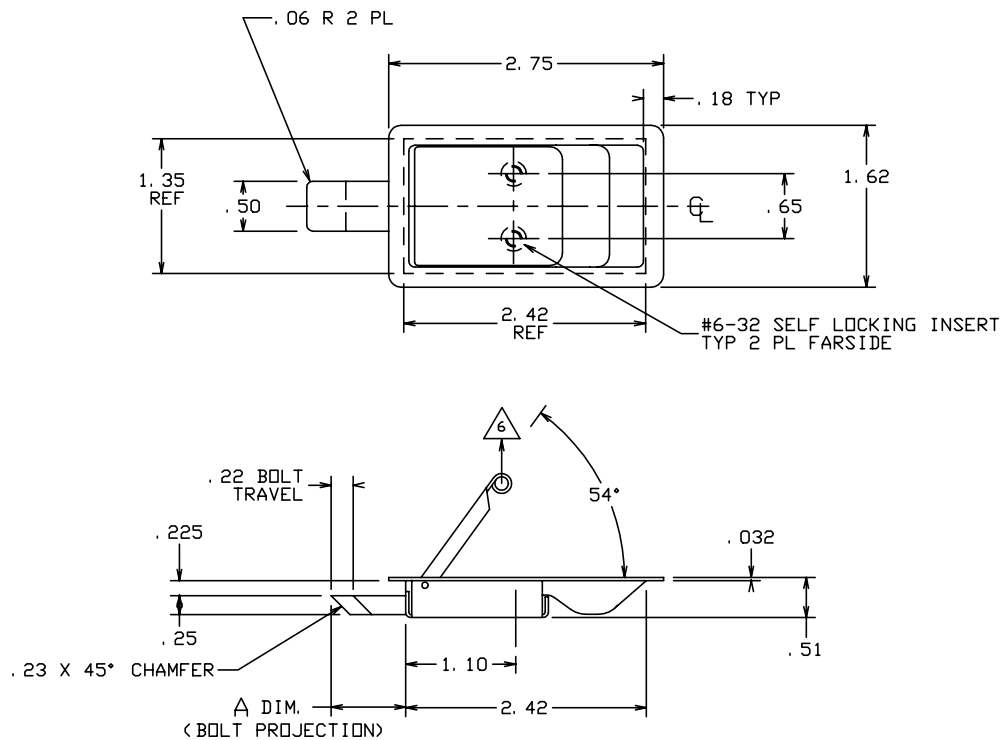
REVISIONS

ZONE	LTR	DESCRIPTION	DATE	APPROVED
	NC	PRODUCTION RELEASE	11-30-93	T. CSIK

NOTES: UNLESS OTHERWISE SPECIFIED.

- MAT'L: ALL COMP'S: 300 SERIES CRES.
- FINISH: PASSIVATE.
- DECORATIVE FINISH: SATIN BUFF TOP OF CASE AND HANDLE.
- NOMINAL LOAD POINT IS .250" FROM TIP OF BOLT, STATIC LOAD IS 800 LBS. MAX. AT NOMINAL LOAD POINT. LATCHES WITH BOLT PROJECTION LONGER THAN .37" REQUIRE REINFORCEMENT IN PANEL/DOOR EDGE TO SUPPORT BOLT LENGTH.
- SPRING TO HOLD FLAP OPEN WHEN BOLT IS NOT PROPERLY ENGAGED.

△ LOAD CAPACITY: 250 LBS. MAX.



.843	-1	LATCH ASSY	
A DIM	PRIMARY DASH NO.	DESCRIPTION	
PARTS LIST			
UNLESS OTHERWISE SPECIFIED		DRAWN BY T. CSIK	11-30-93
DIMENSIONS ARE IN INCHES		CHECKED	
TOLERANCES ON		ENGINEER	
DECIMALS ANGLES DRILLED HOLES		PROJECT	
.X ± .1 ± 0° 30' AND 10387		APPROVAL T. CSIK	11-30-93
.XX ± .03		APPROVAL	
.XXX ± .010			
DO NOT SCALE THIS DRAWING			
MATERIAL - FINISH		USED ON	SIZE CODE IDENT. NO. DRAWING NO. REV.
NEXT ASSY			C 51941 20878 NC
FINAL ASSY			SCALE 1:1 WT. SHEET 1 OF 1

4

3

2

1