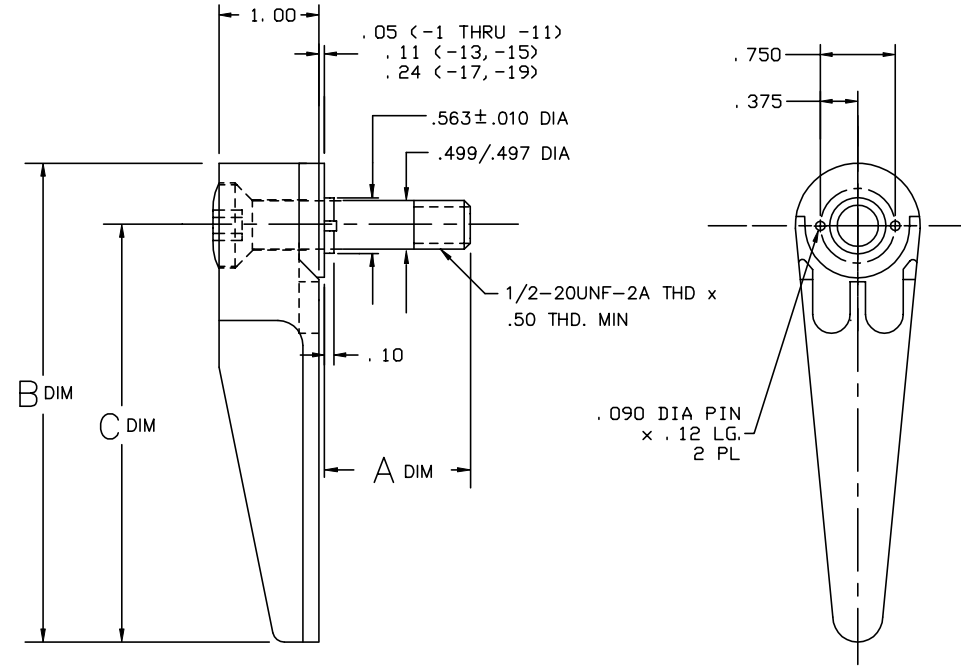
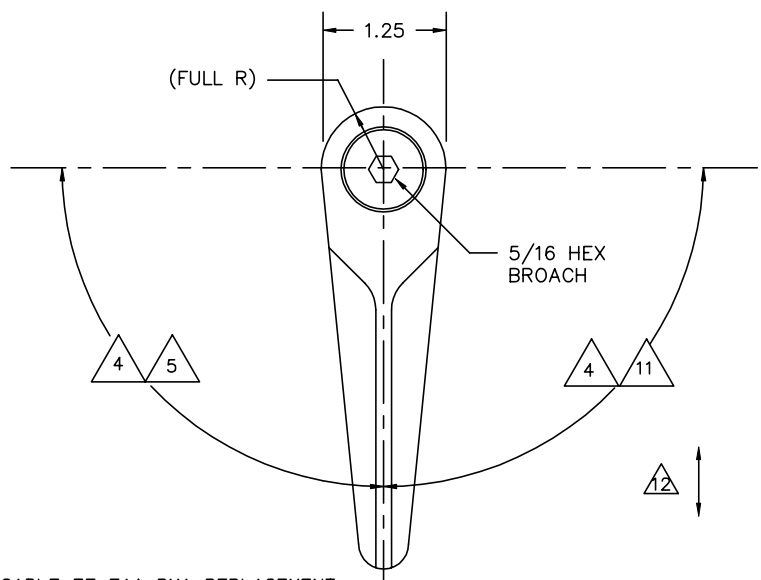


THE INFORMATION AND DESIGN HEREIN WAS ORIGINATED BY AND IS THE PROPERTY OF SKYLOCK INDUSTRIES INCORPORATED. SKYLOCK INDUSTRIES INCORPORATED RESERVES ALL PATENT, PROPRIETARY, DESIGN MANUFACTURING, REPRODUCTION, USE AND SALES RIGHTS THEREOF, AND TO ANY ARTICLE DISCLOSED THEREIN EXCEPT TO THE EXTENT RIGHTS ARE EXPRESSLY GRANTED TO OTHERS. THE FOREGOING DOES NOT APPLY TO VENDOR PROPRIETARY PARTS.

REVISIONS				
ZONE	LTR	DESCRIPTION	DATE	APPROVED
	H	SEE ECN H	10/7/99	T. CSIK



-1 THRU -19 RETAINER

13. APPLICABLE TO FAA-PMA REPLACEMENT OR MODIFICATION PARTS ONLY. PER FAR 45.15, PARTS WILL BE IDENTIFIED WITH:
1. FAA-PMA.
 2. SKYLOCK IND. INC.
 3. PART NO.
 4. AIRCRAFT INSTALLATION ELIGIBILITY.

△ FINISH REF.: SATIN BRUSH DIRECTION SHOWN AND PASSIVATE PER AMS-QQ-P-35, TYPE II.

△ ROTATION: 90° RIGHT HAND

10 ALL RETAINERS HAVE THREADS COATED WITH VC-3 (VISCIOUS COATING VIBRATITE)

9. ADJUST TORQUE ON SHAFT SUCH THAT MAX FORCE TO MOVE HANDLE FROM ONE DETENT TO ANOTHER, SHALL NOT BE LESS THAN 3 LBS NOR MORE THAN 4 LBS APPLIED TO THE SIDE OF HANDLE 4.25 IN. FROM CENTER OF ROTATION.

8. REMOVED.

7. REMOVED.

6. THE FOLLOWING STATIC LOAD IS FOR REFERENCE USE ONLY. IT IS PROVIDED FOR CUSTOMER ENGINEERING TO DETERMINE THE GENERAL SUITABILITY OF THE PRODUCT FOR ITS INTENDED USE. ALTHOUGH SKYLOCK IS PROVIDING THE REFERENCE STATIC LOAD, THE CUSTOMER IS ULTIMATELY RESPONSIBLE FOR CERTIFICATION OF THE PRODUCT FOR ITS SPECIFIC APPLICATION. REFERENCE STATIC LOAD: 8000 LBS. MAX. (AT 2.62 FROM CENTER OF ROTATION) 3250 LBS. MAX. (AT 4.00 FROM CENTER OF ROTATION)

△ ROTATION: 90° LEFT HAND

△ ROTATION: 180°, DETENTED EVERY 90°

△ FINISH REF.: BRIGHT BUFF AND PASSIVATE PER AMS-QQ-P-35, TYPE II.

2. MAT'L REF.: 303 CRES, COND.A, PER AMS-5640N OR EQUIV.

1. REMOVE ALL BURRS AND SHARP CORNERS.

NOTES: UNLESS OTHERWISE SPECIFIED

C DIM	B DIM	A DIM	PART NO.	DESCRIPTION	MATERIAL	SIZE	APPLICATION	MAKE FROM
4.50	5.12	1.24	-19	RETAINER	△1 △2			120680-219
4.50	5.12	1.24	-17	RETAINER	△5 △2			120680-217
4.50	5.12	1.24	-15	RETAINER	△1 △2			120680-215
4.50	5.12	1.24	-13	RETAINER	△5 △2			120680-213
2.12	2.75	1.24	-11	RETAINER	△4 △2			120680-211
4.50	5.12	1.24	-9	RETAINER	△1 △2			120680-209
4.50	5.12	1.24	-7	RETAINER	△5 △2			120680-207
4.50	5.12	1.24	-5	RETAINER	△1 △3			120680-205
2.12	2.74	1.24	-3	RETAINER	△4 △3			120680-203
4.50	5.12	1.24	-1	RETAINER	△5 △3			120680-201

PARTS LIST			
UNLESS OTHERWISE SPECIFIED	DRAWN BY	6/19/90	SKYLOCK INDUSTRIES INCORPORATED MONROVIA CALIFORNIA U. S. A.
DIMENSIONS ARE IN INCHES	CHECKED	10/7/99	
TOLERANCES ON	ENGINEER	10/7/99	
DECIMALS ANGLES DRILLED HOLES	HFG	10/12/99	
.X ± .1 ± 0° 30' AND 10387	QC	10/15/99	
.XXX ± .010			
DO NOT SCALE THIS DRAWING			
MATERIAL - FINISH	USED ON	SIZE	CODE IDENT. NO.
		C	51941
NEXT ASSY		DRAWING NO.	20680
		REV.	H
MANUFACTURE IN ACCORDANCE WITH SKYLOCK IND. INC., QUALITY CONTROL MANUAL QC.001		SCALE	SHEET 1 OF 1
		2:1	

20680 RETAINER