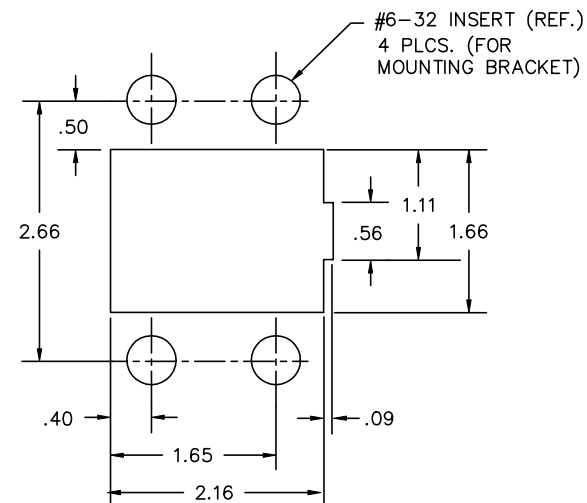
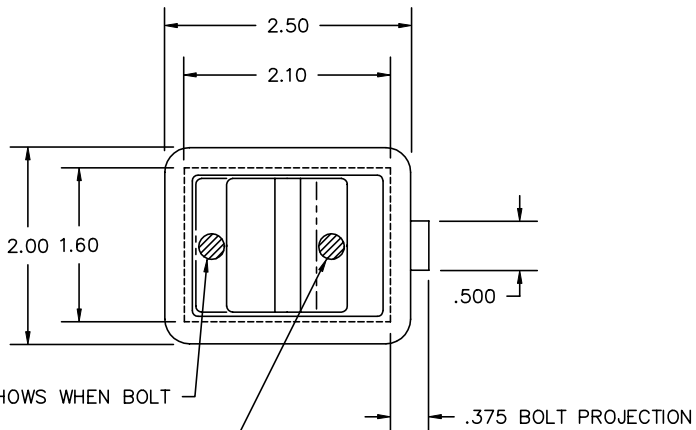


THE INFORMATION AND DESIGN HEREIN WAS ORIGINATED BY AND IS THE PROPERTY OF SKYLOCK INDUSTRIES INCORPORATED. SKYLOCK INDUSTRIES INCORPORATED RESERVES ALL PATENT, PROPRIETARY, DESIGN MANUFACTURING, REPRODUCTION, USE AND SALES RIGHTS THERETO, AND TO ANY ARTICLE DISCLOSED THEREIN EXCEPT TO THE EXTENT RIGHTS ARE EXPRESSLY GRANTED TO OTHERS. THE FOREGOING DOES NOT APPLY TO VENDOR PROPRIETARY PARTS.

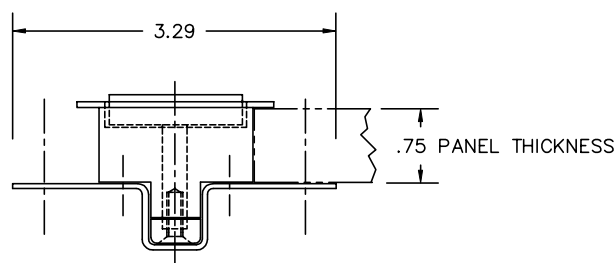
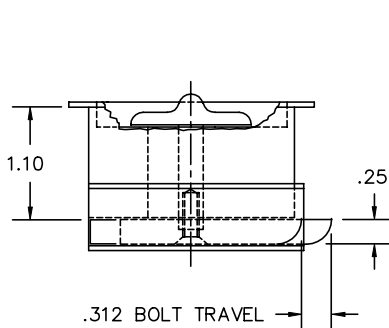
REVISIONS:				
ZONE	LTR.	DESCRIPTION	DATE	APPROVED
	NC	PRODUCTION RELEASE	3-18-91	TC

NOTES: UNLESS OTHERWISE SPECIFIED

1. REMOVE ALL BURRS AND SHARP EDGES
2. MATERIAL: HANDLE, CASE, BOLT, MOUNTING BRACKET; 6061-T6 ALUM.
ALL OTHER PARTS; CRES
SCREWS, CARBON STEEL
3. FINISH: STEEL; CAD. PLATE CRES, PASSIVATE
ALUM.; SATIN BRUSH IN DIRECTION SHOWN AND IN AREAS SHOWN, CLEAR ANODIZE.
BOLT; HARD ANODIZE
4. STATIC LOAD: 600 LBS.
5. BOLT IS DETENTED IN EXTENDED AND RETRACTED POSITIONS.



SUGGESTED PANEL CUTOUT AND INSERT LOCATIONS FOR MOUNTING BRACKET



QTY REQ'D		-1 LATCH ASSY		MATERIAL / SPECIFICATION		ITEM NO.
PART / IDENT NO.		DESCRIPTION				
UNLESS OTHERWISE SPECIFIED: DIMENSIONS ARE IN INCHES		CONTRACT NO.		SKYLOCK INDUSTRIES INCORPORATED MONROVIA, CALIFORNIA, USA		
TOLERANCES		DRAWN BY		DATE		
DECIMALS .XX ±.03		JL		3-15-91		
ANGULAR ± 0 30'		CHECK		TC		
DO NOT SCALE DRAWING		DESIGN		TC		
NEXT ASSY		FINAL ASSY		3-15-91		
USED ON		DESIGN ACTIVITY		SIZE		
FINISH		ACT WT		FSCM NO.		
NOTED		CALC WT		C 51941		
CUSTOMER		DRAWING NO.		20702		
		SCALE		NONE		
		RELEASE DATE		SHEET 1 OF 1		
		REV.		NC		

DRAWING NO. SHEET OF REV.