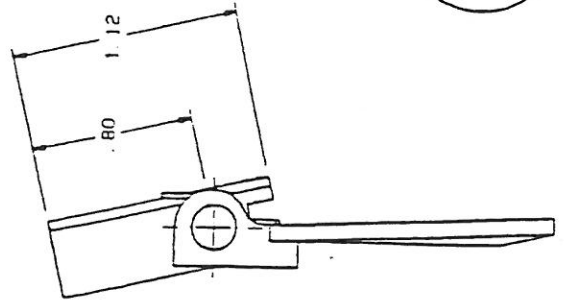
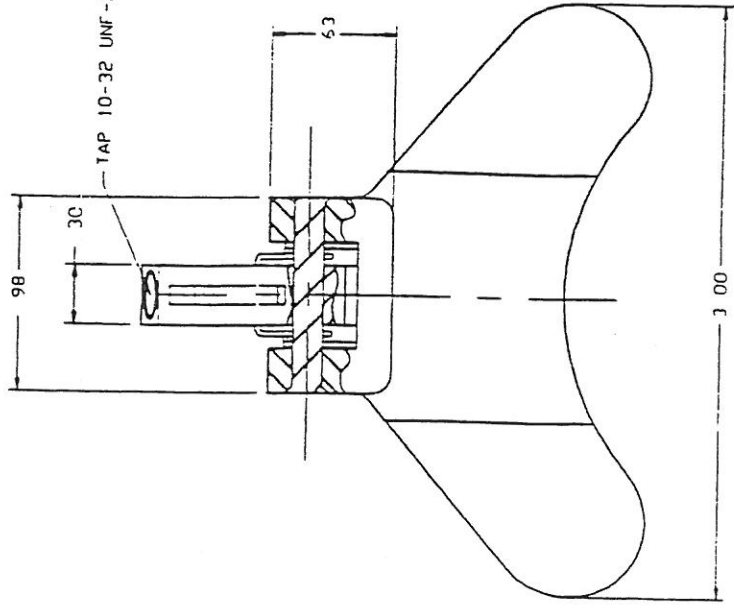


THE INFORMATION CONTAINED HEREIN IS UNCLASSIFIED EXCEPT WHERE SHOWN OTHERWISE BY THE DATE AND AUTHORITY. THIS INFORMATION IS UNCLASSIFIED EXCEPT WHERE SHOWN OTHERWISE BY THE DATE AND AUTHORITY.

DATE	DESCRIPTION
8/12 9	PRODUCTION RELEASE

TAP 10-32 UNF-2B SCREW HOLE



-1 ATTACH FITTING

- 3 REFERENCE HEAT TREATMENT: PIN ; H950 PER MJL-H-6875
- 2 REFERENCE FINISH: ATTACH FITTING & PIN ; PASSIVATE PER AMS-00-P-35 TYPE VIII. LINK & SPRING ; CADMIUM PLATE PER 00-P-416, TYPE II CLASS 2.
- 1 REFERENCE MAT'L ATTACH FITTING ; 15-SPH CRES PER AMS 5347, DR EQUIV. LINK; 4130 ALLOY STEEL PER AMS-6348, DR EQUIV. PIN; PH 13-8 MO CRES PER AMS 5629, DR EQUIV. SPRING; MUSIC WIRE PER ASTM A228.

REMOVE ALL BURRS AND SHARP CORNERS
NOTES UNLESS OTHERWISE SPECIFIED

-1 ATTACH FITTING		MATERIAL SIZE APPLICATION		120969-401
PART NO	DESCRIPTION			
PARTS LIST				
QUANTITY SPECIFIED	DESCRIPTION	DATE	BY	APPROVED
1	ATTACH FITTING	8-15-99		
1	PIN	8/12/99		
1	LINK	8/12/99		
1	SPRING	8/12/99		
1	MUSIC WIRE	8/12/99		
1	SCREW	8/12/99		
DESIGNED BY: C. S.				
CHECKED BY: T. CSIK				
DRAWN BY: J. VIVIRITO				
MATERIAL: 303 SS				
FINISH: POLISHED				
TOLERANCES: UNLESS OTHERWISE SPECIFIED				
DIMENSIONS ARE IN INCHES				
DECIMALS: .0005, .001, .002, .005, .010, .015, .030, .060, .125, .250, .500, 1.000				
FRACTIONS: 1/32, 1/16, 1/8, 3/16, 1/4, 3/8, 1/2, 5/8, 3/4, 7/8, 1.000				
ANGLES: 15, 30, 45, 60, 75, 90, 105, 120, 135, 150, 165, 180				
RADIUS: .005, .010, .015, .030, .060, .125, .250, .500, 1.000				
NO HOLE SIZE LIMITS SPECIFIED				
MATERIAL: 303 SS				
FINISH: POLISHED				
MANUFACTURE IN ACCORDANCE WITH SKIDEC WITH SKIDEC INC. QUALITY CONTROL. MAKE TO DIM SCALE 1:1				
SIZE	CODE	ITEM NO	ISSUING NO	REV
C		51941	20965	
ATTACH FITTING				
SKIDEC INDUSTRIES INCORPORATED MONROVIA CALIFORNIA U.S.A.				