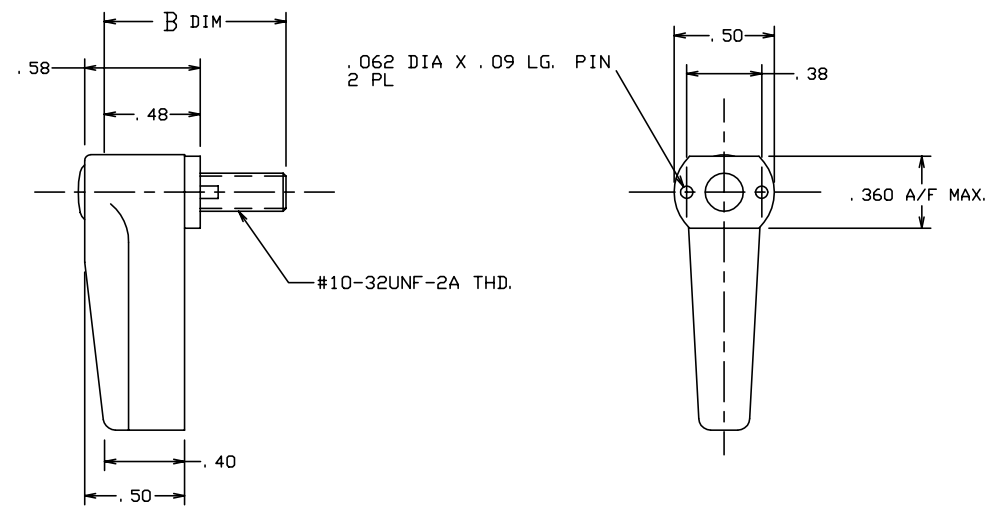
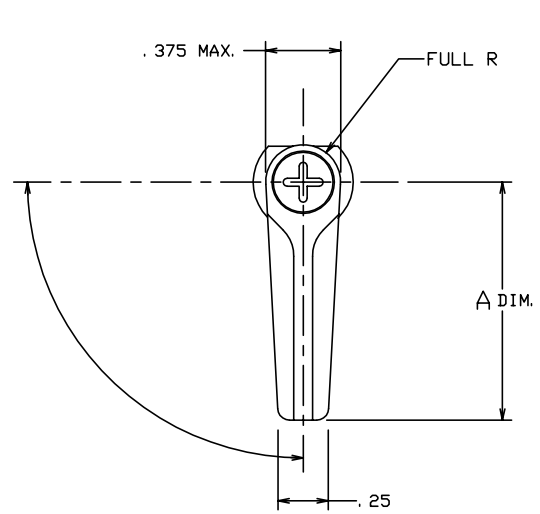


THE INFORMATION AND DESIGN HEREIN WAS ORIGINATED BY AND IS THE PROPERTY OF SKYLOCK INDUSTRIES INCORPORATED. SKYLOCK INDUSTRIES INCORPORATED RESERVES ALL PATENT, PROPRIETARY, DESIGN MANUFACTURING, REPRODUCTION, USE AND SALES RIGHTS THERE TO, AND TO ANY ARTICLE DISCLOSED THEREIN EXCEPT TO THE EXTENT RIGHTS ARE EXPRESSLY GRANTED TO OTHERS. THE FOREGOING DOES NOT APPLY TO VENDOR PROPRIETARY PARTS.

- NOTES: UNLESS OTHERWISE SPECIFIED.
1. REMOVE ALL BURRS AND BREAK SHARP EDGES.
 2. MAT'L: CAM; CRES, TURN; 7075 ALUM. ALLOY.
 3. FINISH: CAM; PASSIVATE, TURN; ANODIZE.
 4. STATIC LOAD: 200 LBS. MAX.

5. DECORATIVE FINISH: BRIGHT BUFF AND CANDY APPLE RED ANODIZE.
6. DECORATIVE FINISH: SATIN BRUSH AND CLEAR ANODIZE.

ZONE	LTR	DESCRIPTION	DATE	APPROVED
	NC	PRODUCTION RELEASE	12-10-91	T. CSIK
	A	ADDED -3/-4	1-22-93	T. CSIK
	B	ADDED -5/-6	5-3-95	T. CSIK
	C	ADDED -7/-8	7-10-95	T. CSIK
	D	ADDED -9/-10	7-23-98	T. CSIK



.91	.90	-10	RETAINER	OPP. -9 (ROTATION: 90° R. H.)	6
.91	.90	-9	RETAINER	SHOWN (ROTATION: 90° L. H.)	6
1.70	1.19	-8	RETAINER	OPP. -7 (ROTATION: 90° R. H.)	5
1.70	1.19	-7	RETAINER	SHOWN (ROTATION: 90° L. H.)	5
1.25	.90	-6	RETAINER	OPP. -5 (ROTATION: 90° R. H.)	6
1.25	.90	-5	RETAINER	SHOWN (ROTATION: 90° L. H.)	6
.91	.90	-4	RETAINER	OPP. -3 (ROTATION: 90° R. H.)	5
.91	.90	-3	RETAINER	SHOWN (ROTATION: 90° L. H.)	5
.91	1.19	-2	RETAINER	OPP. -1 (ROTATION: 90° R. H.)	5
.91	1.19	-1	RETAINER	SHOWN (ROTATION: 90° L. H.)	5
B DIM	A DIM	PART NO.	DESCRIPTION	MATERIAL	SIZE SPECIFICATION

PARTS LIST		DRAWN BY T. CSIK 12-10-91		SKYLOCK INDUSTRIES INCORPORATED MONROVIA CALIFORNIA U. S. A.	
UNLESS OTHERWISE SPECIFIED		CHECKED		1/4 TURN RETAINER	
DIMENSIONS ARE IN INCHES		ENGINEER			
TOLERANCES ON		PROJECT			
DECIMALS ANGLES DRILLED HOLES		APPROVAL T. CSIK 12-10-91			
.X ± .1 ± 0° 30' AND 10387		APPROVAL		SIZE CODE IDENT. NO. DRAWING NO. REV.	
.XX ± .03				C 51941 20749 D	
.XXX ± .010				SCALE 2: 1 WT. SHEET 1 OF 1	
DO NOT SCALE THIS DRAWING					
MATERIAL - FINISH		USED ON			
NEXT ASSY					
FINAL ASSY					