

4

3

2

1

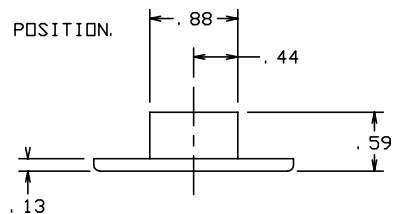
THE INFORMATION AND DESIGN HEREIN WAS ORIGINATED BY AND IS THE PROPERTY OF SKYLOCK INDUSTRIES INCORPORATED. SKYLOCK INDUSTRIES INCORPORATED RESERVES ALL PATENT, PROPRIETARY, DESIGN MANUFACTURING, REPRODUCTION, USE AND SALES RIGHTS THERE TO, AND TO ANY ARTICLE DISCLOSED THEREIN EXCEPT TO THE EXTENT RIGHTS ARE EXPRESSLY GRANTED TO OTHERS. THE FOREGOING DOES NOT APPLY TO VENDOR PROPRIETARY PARTS.

REVISIONS

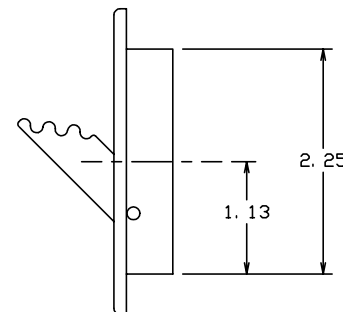
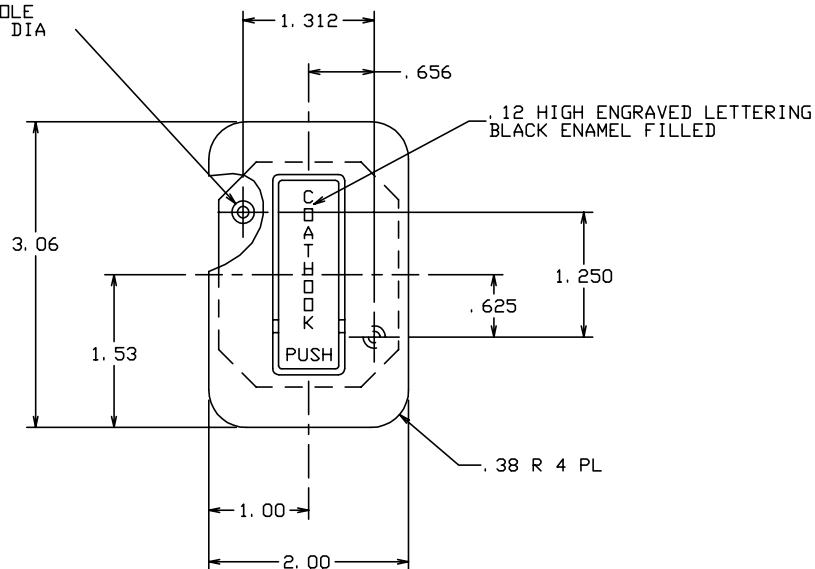
ZONE	LTR	DESCRIPTION	DATE	APPROVED
	NC	PRODUCTION RELEASE	1-27-93	T. CSIK


NOTES: UNLESS OTHERWISE SPECIFIED.

1. REMOVE ALL BURRS AND BREAK SHARP EDGES.
2. MAT'L: 6061-T6 ALUM. ALLOY
PIN AND SPRING CLIP; ST. STL.
3. FINISH: ALUM. COMP'S; CLEAR ANODIZE,
ST. STL. COMP'S; PASSIVATE.
4. DECORATIVE FINISH: SATIN BRUSH.
5. COAT HOOK IS SPRING LOADED TO THE RETRACTED POSITION.



.116 DIA THRU HOLE
CSK 100° X .225 DIA
TYP 2 PL



-401		COAT HOOK					
QTY REQD	PART NO.	DESCRIPTION	MATERIAL	SIZE	SPECIFICATION	ITEM NO.	
PARTS LIST							
UNLESS OTHERWISE SPECIFIED		DRAWN BY	S. CSIK	1-27-93	 SKYLOCK INDUSTRIES INCORPORATED MONROVIA CALIFORNIA U. S. A.		
DIMENSIONS ARE IN INCHES		CHECKED					
TOLERANCES ON		ENGINEER					
DECIMALS ANGLES DRILLED HOLES		PROJECT					
.X ± .1 ± 0° 30' AND 10387		APPROVAL	T. CSIK	1-27-93	COAT HOOK		
.XX ± .03		APPROVAL					
.XXX ± .010							
DO NOT SCALE THIS DRAWING				SIZE	CODE IDENT. NO.	DRAWING NO.	REV.
MATERIAL - FINISH		USED ON		C	51941	20820	NC
NEXT ASSY				SCALE 1: 1		VT.	SHEET 1 OF 1
FINAL ASSY							

4

3

2

1