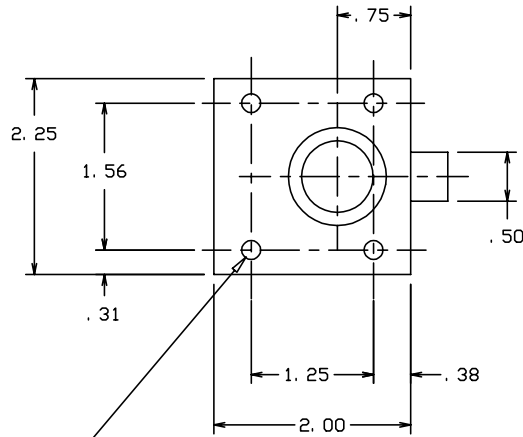


THE INFORMATION AND DESIGN HEREIN WAS ORIGINATED BY AND IS THE PROPERTY OF SKYLOCK INDUSTRIES INCORPORATED. SKYLOCK INDUSTRIES INCORPORATED RESERVES ALL PATENT, PROPRIETARY, DESIGN MANUFACTURING, REPRODUCTION, USE AND SALES RIGHTS THERETO, AND TO ANY ARTICLE DISCLOSED THEREIN EXCEPT TO THE EXTENT RIGHTS ARE EXPRESSLY GRANTED TO OTHERS. THE FOREGOING DOES NOT APPLY TO VENDOR PROPRIETARY PARTS.

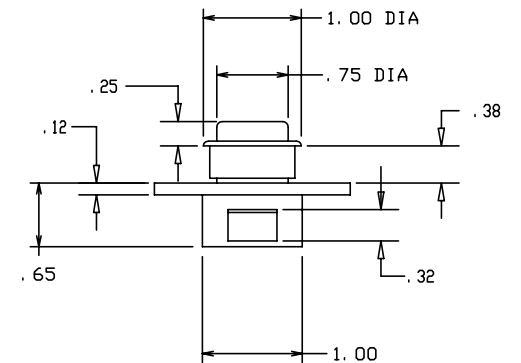
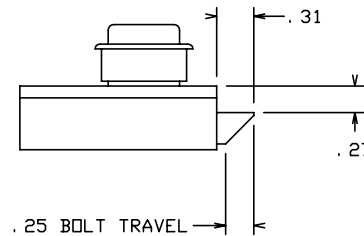
REVISIONS				
ZONE	LTR.	DESCRIPTION	DATE	APPROVED
	NC	PRODUCTION RELEASE	4. 29. 92	SC

NOTES: UNLESS OTHERWISE SPECIFIED

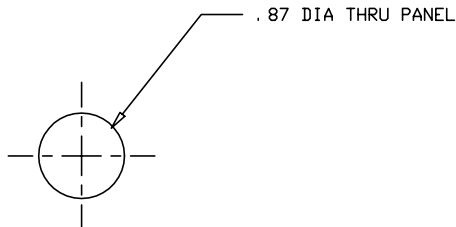
1. REMOVE ALL BURRS AND SHARP EDGES
2. MAT'L: HOUSING, CASE, BOLT, BUTTON, AND ESCUTCHEON; ALUM ALLOY; ALL OTHER COMPONENTS; CRES
3. FINISH: ALUM; CLEAR ANODIZE; BUTTON AND ESCUTCHEON; SATIN BRUSH AND CLEAR ANODIZE; CRES; PASSIVATE
4. OPERATION: PUSH BUTTON TO RETRACT BOLT



NO. 10 (.194) DIA THRU
4 PLCS



SUGGESTED PANEL CUTOUT



QTY. REQ'D		PART / IDENT NO.	DESCRIPTION	MATERIAL / SPECIFICATION	ITEM NO.
-1			LATCH ASSY		
UNLESS OTHERWISE SPECIFIED DIMENSIONS ARE IN INCHES			CONTRACT NO.	 SKYLOCK INDUSTRIES INCORPORATED MONROVIA, CALIFORNIA, USA	
TOLERANCES			CUSTOMER		
DECIMALS	ANGULAR		DRAWN BY DATE		
.XX .03	0 30'		S. CSIK	LATCH ASSY	
.XXX .010			CHECK		
DO NOT SCALE DRAWING			DESIGN		
NEXT ASSY	FINAL ASSY	DESIGN ACTIVITY		SIZE	REV.
USED ON				C 51941	NC
FINISH	ACT WT	CALC WT		DRAWING NO. 20761	
				SCALE 1/1	REV. 1
				RELEASE DATE 4. 29. 92	SHEET 1 OF 1

DRAWING NO.

SHEET

A