

THE INFORMATION AND DESIGN HEREIN WAS DEVELOPED BY SKYDLOCK INDUSTRIES, INC. FOR THE USE OF SKYDLOCK INDUSTRIES, INC. AND SKYDLOCK INDUSTRIES, INC. IS NOT RESPONSIBLE FOR ANY REPRODUCTION OR USE OF THIS INFORMATION BY ANY OTHER PARTY WITHOUT THE WRITTEN PERMISSION OF SKYDLOCK INDUSTRIES, INC. SKYDLOCK INDUSTRIES, INC. IS NOT RESPONSIBLE FOR ANY REPRODUCTION OR USE OF THIS INFORMATION BY ANY OTHER PARTY WITHOUT THE WRITTEN PERMISSION OF SKYDLOCK INDUSTRIES, INC. SKYDLOCK INDUSTRIES, INC. IS NOT RESPONSIBLE FOR ANY REPRODUCTION OR USE OF THIS INFORMATION BY ANY OTHER PARTY WITHOUT THE WRITTEN PERMISSION OF SKYDLOCK INDUSTRIES, INC.

NOTES UNLESS OTHERWISE SPECIFIED:

- 1 REMOVE ALL BURRS AND BREAK SHARP CORNERS.
- 2 MATEL: RETAINER: 7075-T6 ALUM. ALLOY PER QQ-A-225/9 OR QQ-A-200/11, STUD AND CAM: 17-4PH CRES CONDA PER AMS-5643, HEAT TREAT TO COND. H900 PER MIL-H-6875.
- 3 FINISH: STUD AND BASE: PASSIVATE PER QQ-P-35, BASE: DRY FILM LUBRICATE PER MIL-L-46010 OR EQUIV.
4. STATIC LOAD: 3750 LBS @ 1.25" (.51" DEFLECTION)  
2370 LBS @ 2.25" (.62" DEFLECTION)  
1630 LBS @ 3.25" (.89" DEFLECTION)  
(BASED ON SIMILARITY TO 20953 MOUNTED TO STEEL TEST FIXTURE)
- 5 APPLY APPROPRIATE LOCKING TORQUE WHEN INSTALLING.  
RETAINER STUD (3/8-24UNF THD. REF) WITH 1/4" HEX WRENCH.
- 6 SEE DRAWING 121004 FOR PARTS LIST AND ASSEMBLY DETAILS.  
(FOR SKYDLOCK USE ONLY-CONTAINS CONFIDENTIAL INFORMATION)
- 7 FINISH RETAINER: SATIN BRUSH, AND CLEAR ANODIZE PER MIL-A-8625, TYPE II, CLASS 1
- 8 FINISH RETAINER: BRIGHT POLISH AND CANDY APPLE RED ANODIZE PER MIL-A-8625, TYPE II, CLASS 2.
9. FINISH: 90° LEFT HAND, DETENTED AT EACH 90°.
10. ROTATION: 90° RIGHT HAND, DETENTED AT EACH 90°.

U.S. PAT. NO: 6,010,094, D422482,  
AND INTERNATIONAL PATENTS APPLY.

REV	DESCRIPTION	DATE	APPROVED
NC	PRODUCTION RELEASE	30APR98	T.CSIK
A	REVISED NOTE 5 READING ANODIZE SPEC'S. ADDED NOTE 8 THRU 10. UPDATED PARTS LIST.	20MAY98	T.CSIK
B	ADDED -13/-14.	02OCT98	T.CSIK
C	SEE ECN C	18MAR03	J.H.
D	SEE ECN D	03JUN03	S.C.

1.25	3.80	X	YES	-18	RETAINER	/10	/7	121004-18	
1.25	3.80	X	YES	-17	RETAINER	/9	/7	121004-17	
1.25	3.80	X	YES	-16	RETAINER	/10	/8	121004-16	
1.25	3.80	X	YES	-15	RETAINER	/9	/8	121004-15	
1.25	4.75	X	YES	-14	RETAINER	/10	/8	121004-14	
1.25	4.75	X	YES	-13	RETAINER	/9	/8	121004-13	
1.25	5.25	X	YES	-12	RETAINER	/10	/7	121004-12	
1.25	5.25	X	YES	-11	RETAINER	/9	/7	121004-11	
1.25	5.25	X	YES	-10	RETAINER	/10	/8	121004-10	
1.25	5.25	X	YES	-9	RETAINER	/9	/8	121004-9	
1.00	2.25	X	YES	-8	RETAINER	/10	/7	121004-8	
1.00	2.25	X	YES	-7	RETAINER	/9	/7	121004-7	
1.00	2.25	X	YES	-6	RETAINER	/10	/8	121004-6	
1.00	2.25	X	YES	-5	RETAINER	/9	/8	121004-5	
1.25	2.25	X	YES	-4	RETAINER	/10	/7	121004-4	
1.25	2.25	X	YES	-3	RETAINER	/9	/6	121004-3	
1.25	2.25	X	YES	-2	RETAINER	/10	/6	121004-2	
1.25	2.25	X	YES	-1	RETAINER	/9	/8	121004-1	
B DIM	A DIM	TYPE2	TYPE1	CAP	PART NO.	DESCRIPTION	ROTATION	FINISH	MAKE FROM

UNLESS OTHERWISE SPECIFIED  
DIMENSIONS ARE IN INCHES  
TOLERANCES ON  
DIMENSIONS ARE  
FRACTIONS  
DECIMALS  
ANGLES  
DRILLED HOLES  
AND TAPES  
UNLESS OTHERWISE SPECIFIED  
ARE TO BE HONED  
UNLESS OTHERWISE SPECIFIED

DESIGNED BY: T.CSIK 30APR98  
CHECKED: J.H. 18MAR03  
ENGINEER: J.H. 18MAR03  
PROJECT: J.H. 18MAR03

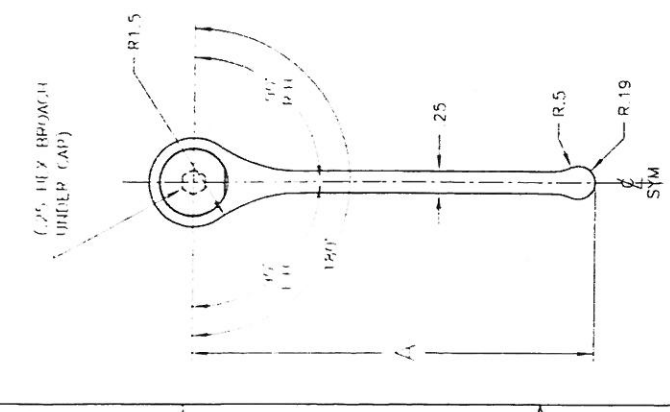
SKYDLOCK INDUSTRIES, INC.  
90 SOUTH ALTA VISTA AVENUE  
MONROVIA, CA 91016  
PHONE: (626) 357-3361 FAX: (626) 358-0742

RETAINER

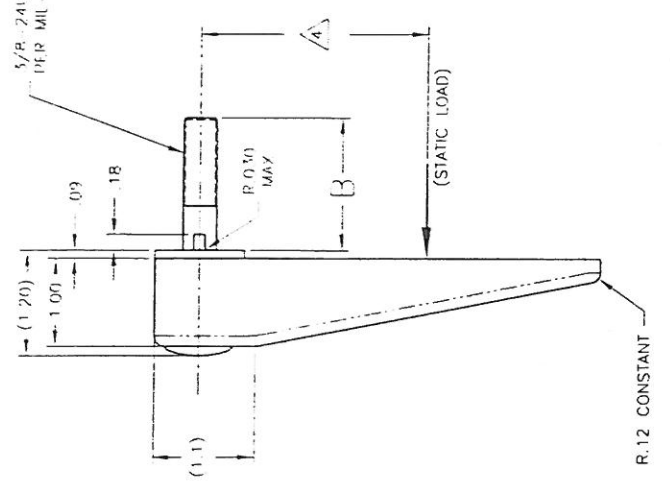
SIZE: C 51941 DRAWING NO: 21004 REV: D  
SCALE: NONE SHEET 1 OF 2

SALES DRAWING

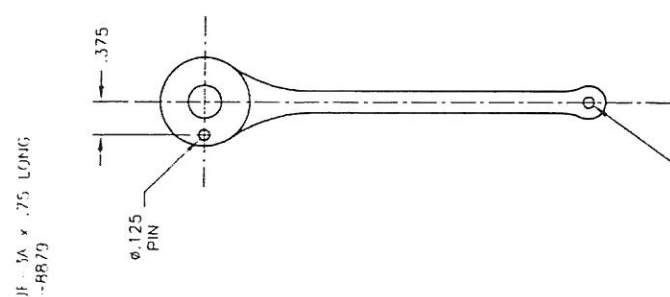
THE INFORMATION AND DESIGN HEREIN WAS DEVELOPED BY SKYDACK IN THE EXERCISE OF ITS PROPRIETARY RIGHTS. SKYDACK INDUSTRIES, INC. MAKES NO WARRANTY, REPRESENTATION OR GUARANTEE, EXPRESS OR IMPLIED, AS TO THE ACCURACY, COMPLETENESS, OR MERCHANTABILITY OF THE INFORMATION AND DESIGN HEREIN. SKYDACK INDUSTRIES, INC. SHALL NOT BE LIABLE FOR ANY DAMAGES, INCLUDING CONSEQUENTIAL DAMAGES, ARISING FROM THE USE OF THE INFORMATION AND DESIGN HEREIN. SKYDACK INDUSTRIES, INC. SHALL NOT BE LIABLE FOR ANY DAMAGES, INCLUDING CONSEQUENTIAL DAMAGES, ARISING FROM THE USE OF THE INFORMATION AND DESIGN HEREIN.



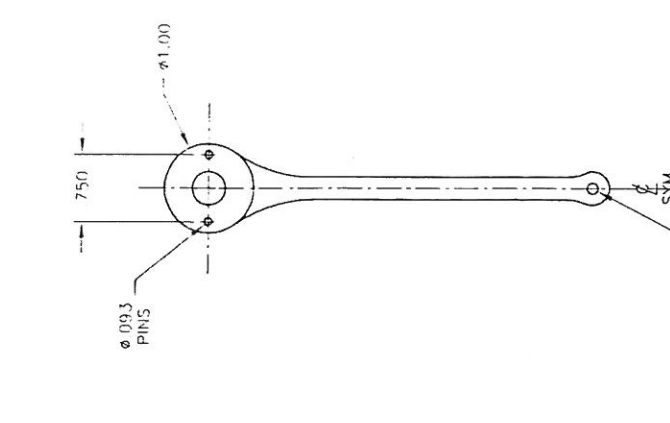
TYPICAL RETAINER



TYPE 1 MOUNTING PIN



TYPE 2 MOUNTING PIN



U.S. PAT. NO: 6,010,094, D422482,  
AND INTERNATIONAL PATENTS APPLY.

**SKYDACK INDUSTRIES, INC.**  
90 SOUTH ALTA VISTA AVENUE, MONROVIA, CA 91016  
PHONE: (626) 357-5361 FAX: (626) 358-0742

RETAINER	
DATE	REV
C 51941	21004 D
SCALE	SCALE
NONE	2 OF 2
SALES DRAWING	