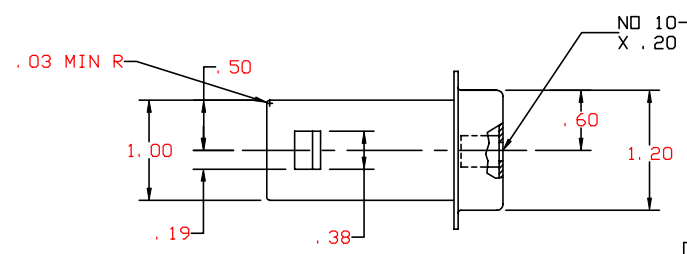
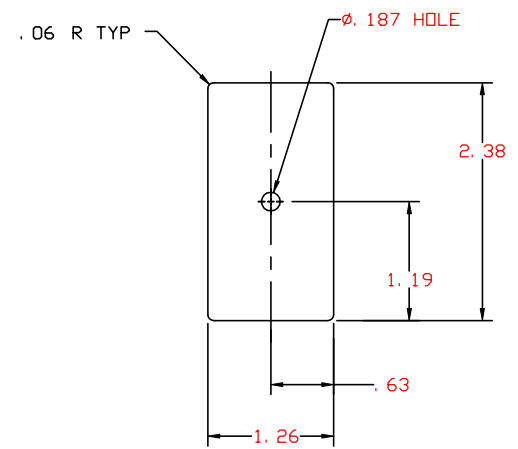
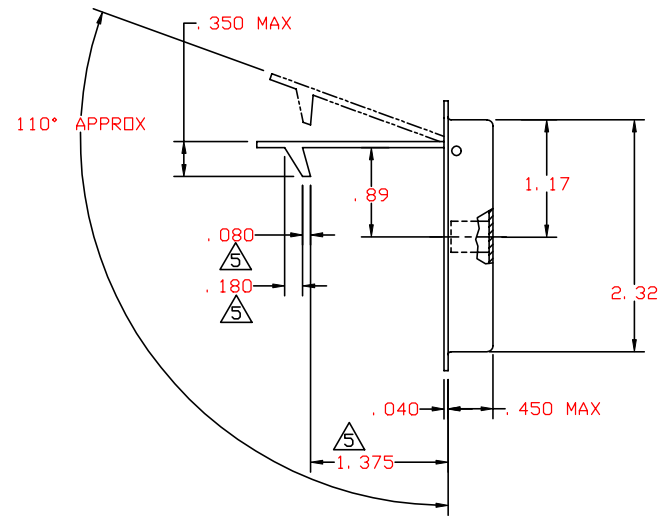
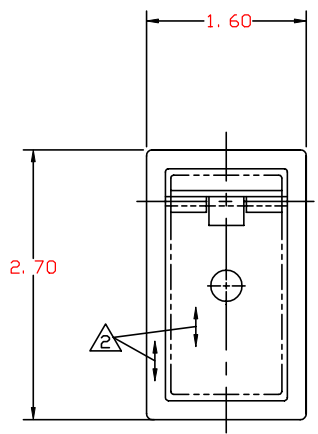


THE INFORMATION AND DESIGN HEREIN WAS ORIGINATED BY AND IS THE PROPERTY OF SKYLOCK INDUSTRIES INCORPORATED. SKYLOCK INDUSTRIES INCORPORATED RESERVES ALL PATENT, PROPRIETARY, DESIGN MANUFACTURING, REPRODUCTION, USE AND SALES RIGHTS THERE TO, AND TO ANY ARTICLE DISCLOSED THEREIN EXCEPT TO THE EXTENT RIGHTS ARE EXPRESSLY GRANTED TO OTHERS. THE FOREGOING DOES NOT APPLY TO VENDOR PROPRIETARY PARTS.

REVISIONS				
ZONE	LTR	DESCRIPTION	DATE	APPROVED
	D	SEE ECN D	12/23/98	T. CSIK



-401 ASSY

6. PER FAR 45.15. PARTS WILL IDENTIFIED WITH:
1. FAA-PMA.
  2. SKYLOCK IND. INC.
  3. PART NO.
  4. AIRCRAFT ELIGIBILITY.

△ DIMS APPLY TO -401 ONLY.

4. REMOVED.
3. HOOK IS SPRING LOADED CLOSED.

△ DECORATIVE FINISH: SATIN BRUSH LENGTHWISE TO PART SURFACE & - CLEAR ANODIZE PER MIL-A-8625, TYPE II, CLASS 1, OR EQUIV.

1. MAT'L: CASE & HOOK; 6061-T6/T651 PER ASTM B-221 OR EQUIV. ALL OTHER PARTS, 300 SERIES CRES, COND. A, PER AMS-5640N, OR EQUIV.

REMOVE ALL BURRS AND SHARP CORNERS.

NOTES: UNLESS OTHERWISE SPECIFIED

-409	DOOR HOLD OPEN	SEE SHEET 5 (SAME AS -405 EXCEPT AS NOTED)	
-407	DOOR HOLD OPEN	SEE SHEET 4	
-405	DOOR HOLD OPEN	SEE SHEET 3	
-403	DOOR HOLD OPEN	SEE SHEET 2	
-402	DOOR HOLD OPEN	SEE SHEET 2	
-401	DOOR HOLD OPEN		
PART NO.	DESCRIPTION	MATERIAL SIZE APPLICATION	ITEM NO.

PARTS LIST			
UNLESS OTHERWISE SPECIFIED	DRAWN BY	ED WELSH	12/21/98
DIMENSIONS ARE IN INCHES	CHECKED	D. VO	12/21/98
TOLERANCES ON	ENGINEER	T. CSIK	12/23/98
DECIMALS ANGLES DRILLED HOLES	MFG	P. MATSUOKA	12/29/98
.X ± .1 ± 0° 30' AND 10387	QC	J. VIVIRITO	12/29/98
.XX ± .03			
.XXX ± .010			
DO NOT SCALE THIS DRAWING			
MATERIAL - FINISH	USED ON	SIZE	CODE IDENT. NO. DRAWING NO.
		C	51941 20330
NEXT ASSY			REV. D
MANUFACTURE IN ACCORDANCE WITH SKYLOCK QUALITY CONTROL MANUAL QC.001		SCALE	1: 1
		VT.	SHEET 1 OF 5

SKYLOCK INDUSTRIES INCORPORATED  
MONROVIA CALIFORNIA U. S. A.

DOOR HOLD OPEN

4

3

2

1

4

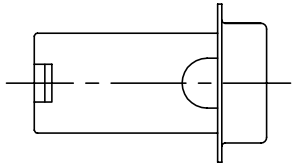
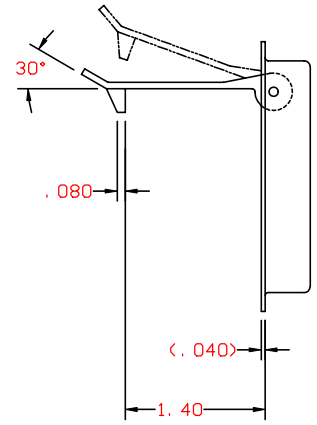
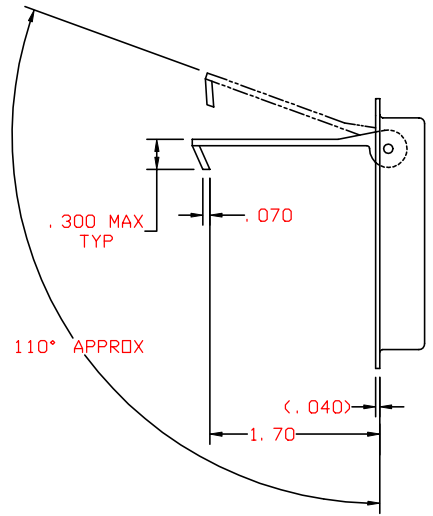
3

2

1

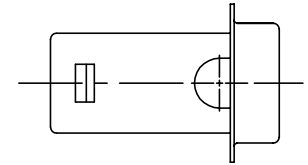
THE INFORMATION AND DESIGN HEREIN WAS ORIGINATED BY AND IS THE PROPERTY OF SKYLOCK INDUSTRIES INCORPORATED. SKYLOCK INDUSTRIES INCORPORATED RESERVES ALL PATENT, PROPRIETARY, DESIGN MANUFACTURING, REPRODUCTION, USE AND SALES RIGHTS THERE TO, AND TO ANY ARTICLE DISCLOSED THEREIN EXCEPT TO THE EXTENT RIGHTS ARE EXPRESSLY GRANTED TO OTHERS. THE FOREGOING DOES NOT APPLY TO VENDOR PROPRIETARY PARTS.

REVISIONS				
ZONE	LTR	DESCRIPTION	DATE	APPROVED
		SEE PAGE 1 FOR NOTES		



-402 ASSY

-402 & -403  
SAME AS -401  
EXCEPT AS SHOWN



-403 ASSY

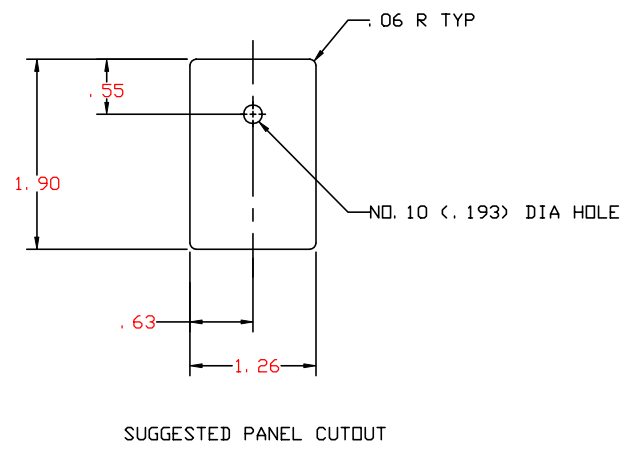
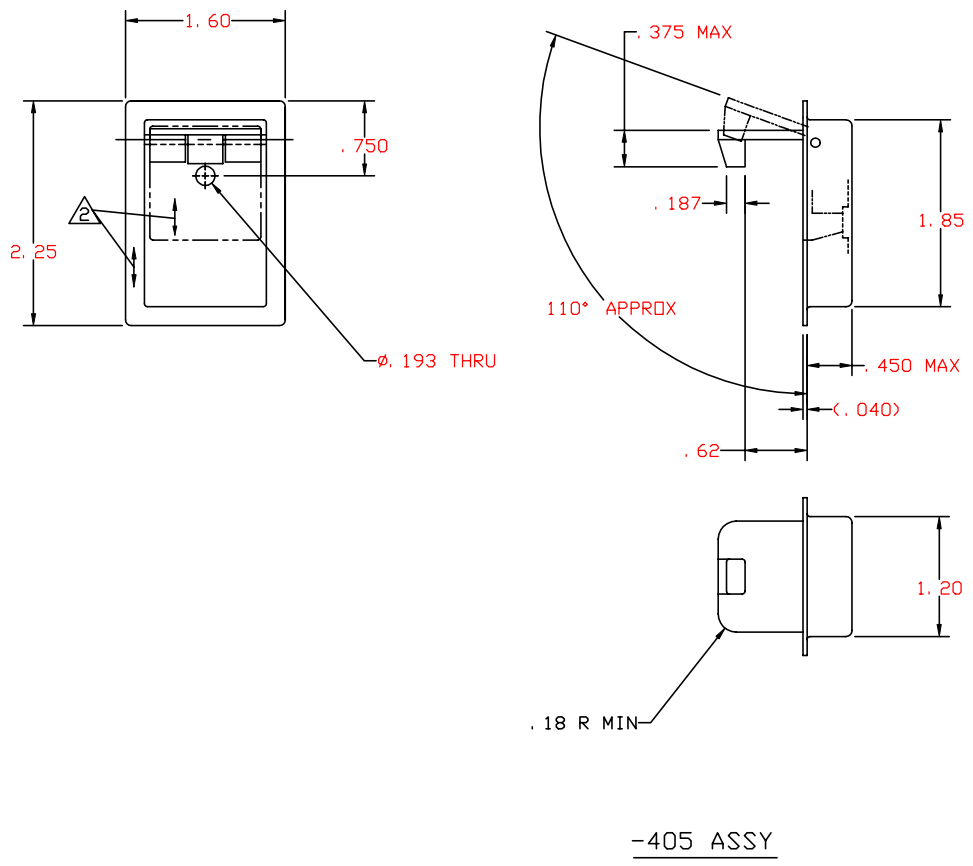
 SKYLOCK INDUSTRIES INCORPORATED  
MONROVIA CALIFORNIA U. S. A.


DOOR HOLD OPEN

SIZE	CODE IDENT. NO.	DRAWING NO.	REV.
C	51941	20330	D
SCALE	1: 1	VT.	SHEET 2 OF 5

THE INFORMATION AND DESIGN HEREIN WAS ORIGINATED BY AND IS THE PROPERTY OF SKYLOCK INDUSTRIES INCORPORATED. SKYLOCK INDUSTRIES INCORPORATED RESERVES ALL PATENT, PROPRIETARY, DESIGN MANUFACTURING, REPRODUCTION, USE AND SALES RIGHTS THERE TO, AND TO ANY ARTICLE DISCLOSED THEREIN EXCEPT TO THE EXTENT RIGHTS ARE EXPRESSLY GRANTED TO OTHERS. THE FOREGOING DOES NOT APPLY TO VENDOR PROPRIETARY PARTS.

REVISIONS				
ZONE	LTR	DESCRIPTION	DATE	APPROVED
		SEE PAGE 1 FOR NOTES		



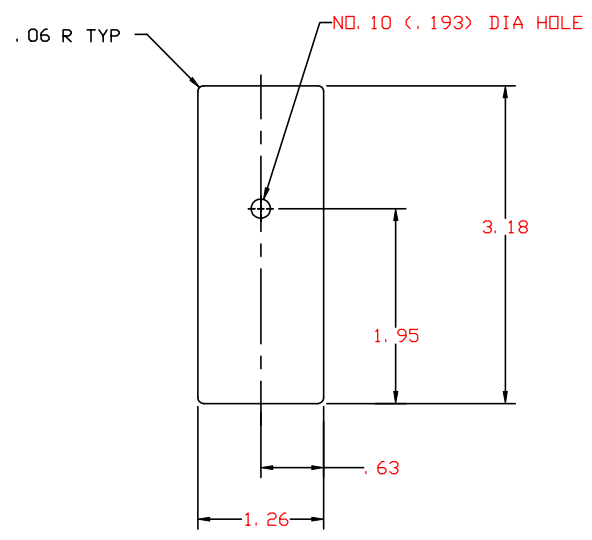
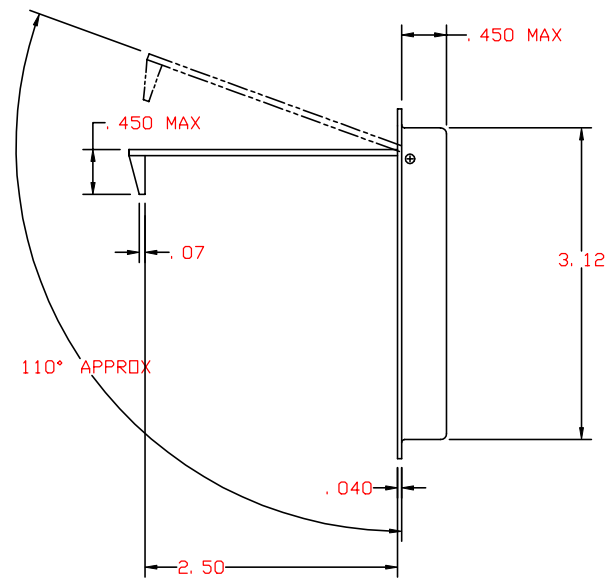
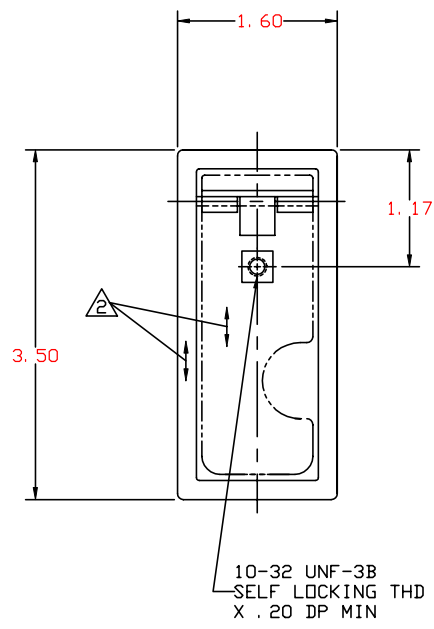

 SKYLOCK INDUSTRIES INCORPORATED  
 MONROVIA CALIFORNIA U. S. A.

DOOR HOLD OPEN

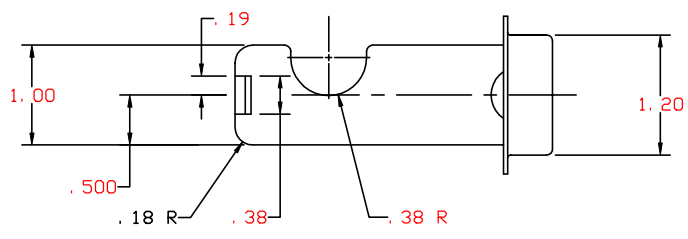
SIZE	CODE IDENT. NO.	DRAWING NO.	REV.
C	51941	20330	D
SCALE	1: 1	VT.	SHEET 3 OF 5

THE INFORMATION AND DESIGN HEREIN WAS ORIGINATED BY AND IS THE PROPERTY OF SKYLOCK INDUSTRIES INCORPORATED. SKYLOCK INDUSTRIES INCORPORATED RESERVES ALL PATENT, PROPRIETARY, DESIGN MANUFACTURING, REPRODUCTION, USE AND SALES RIGHTS THERETO, AND TO ANY ARTICLE DISCLOSED THEREIN EXCEPT TO THE EXTENT RIGHTS ARE EXPRESSLY GRANTED TO OTHERS. THE FOREGOING DOES NOT APPLY TO VENDOR PROPRIETARY PARTS.

REVISIONS				
ZONE	LTR	DESCRIPTION	DATE	APPROVED
		SEE PAGE 1 FOR NOTES		



SUGGESTED PANEL CUTOUT



-407 ASSY

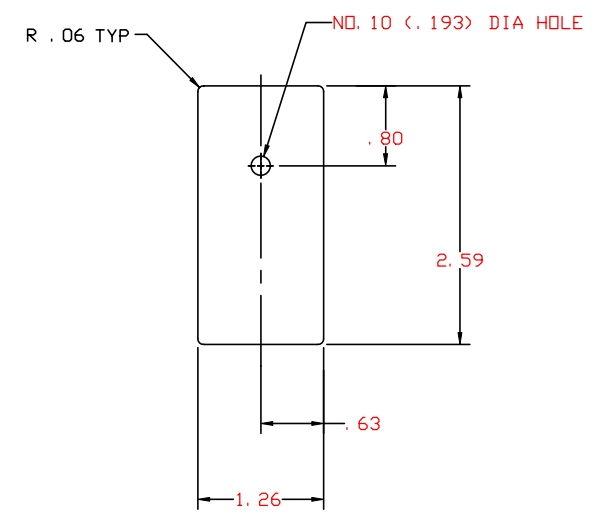
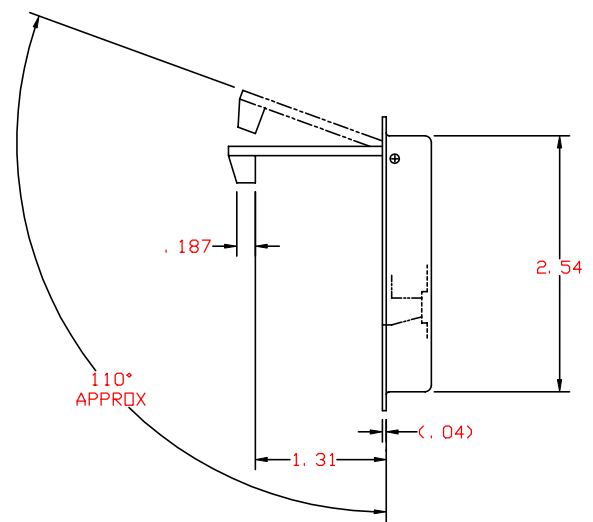
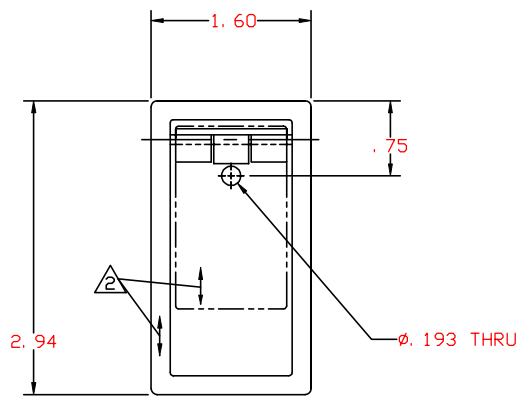
SKYLOCK INDUSTRIES INCORPORATED  
MONROVIA CALIFORNIA U. S. A.

DOOR HOLD OPEN

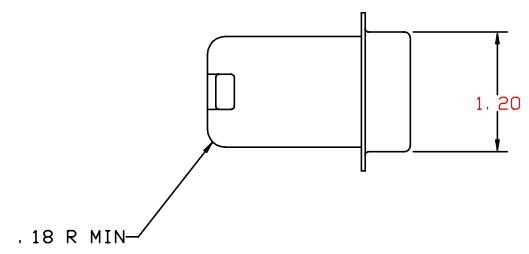
SIZE C	CODE IDENT. NO. 51941	DRAWING NO. 20330	REV. D
SCALE 1: 1	VT.	SHEET 4	OF 5

THE INFORMATION AND DESIGN HEREIN WAS ORIGINATED BY AND IS THE PROPERTY OF SKYLOCK INDUSTRIES INCORPORATED. SKYLOCK INDUSTRIES INCORPORATED RESERVES ALL PATENT, PROPRIETARY, DESIGN MANUFACTURING, REPRODUCTION, USE AND SALES RIGHTS THERE TO, AND TO ANY ARTICLE DISCLOSED THEREIN EXCEPT TO THE EXTENT RIGHTS ARE EXPRESSLY GRANTED TO OTHERS. THE FOREGOING DOES NOT APPLY TO VENDOR PROPRIETARY PARTS.


REVISIONS				
ZONE	LTR	DESCRIPTION	DATE	APPROVED
		SEE PAGE 1 FOR NOTES		



SUGGESTED PANEL CUTOUT



-409 ASSY  
 (SAME AS -405 EXCEPT AS SHOWN)

 SKYLOCK INDUSTRIES INCORPORATED MONROVIA CALIFORNIA U. S. A.			
DOOR HOLD OPEN			
SIZE	CODE IDENT. NO.	DRAWING NO.	REV.
C	51941	20330	D
SCALE	1: 1	VT.	SHEET 5 OF 5