
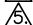


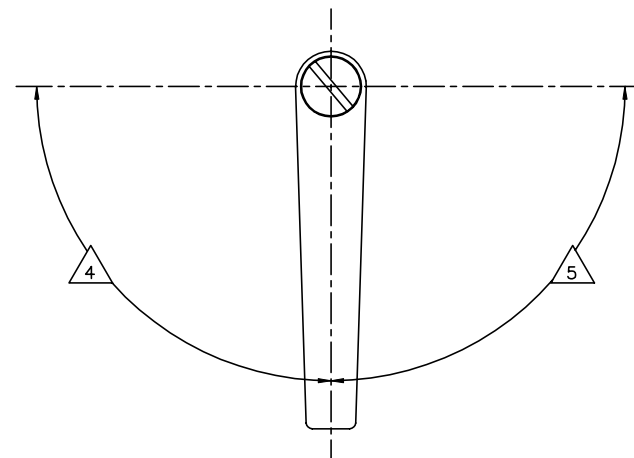
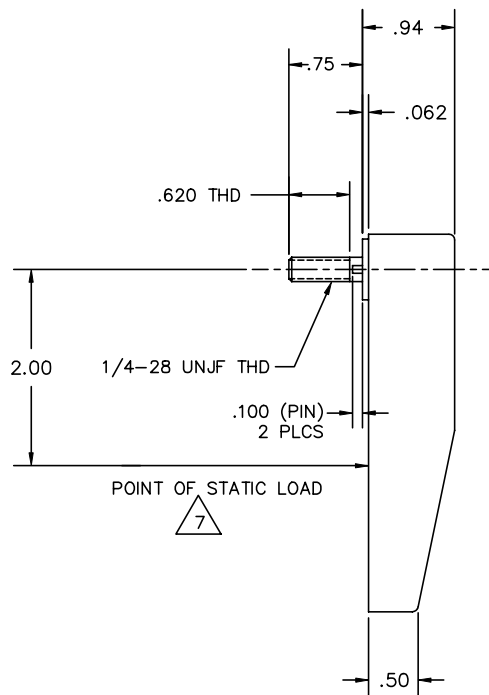
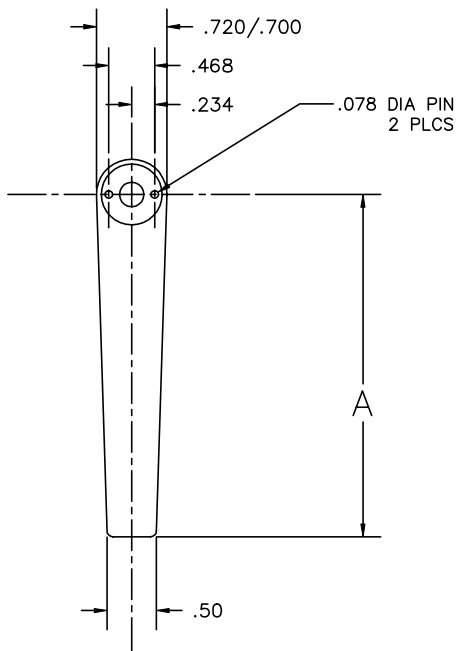


THE INFORMATION AND DESIGN HEREIN WAS ORIGINATED BY AND IS THE PROPERTY OF SKYLOCK INDUSTRIES INCORPORATED. SKYLOCK INDUSTRIES INCORPORATED RESERVES ALL PATENT, PROPRIETARY, DESIGN MANUFACTURING, REPRODUCTION, USE AND SALES RIGHTS THEREON, AND TO ANY ARTICLE DISCLOSED THEREIN EXCEPT TO THE EXTENT RIGHTS ARE EXPRESSLY GRANTED TO OTHERS. THE FOREGOING DOES NOT APPLY TO VENDOR PROPRIETARY PARTS.


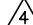
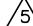
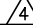
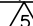
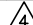
NOTES: UNLESS OTHERWISE SPECIFIED

- REMOVE ALL BURRS AND SHARP EDGES
- MAT'L: TURN: ALUM ALLOY;  
STUD: 420 CRES;  
ALL OTHER COMPONENTS; CRES
- FINISH: ALUM; BRIGHT POLISH AND CANDY APPLE RED ANODIZE;  
CRES; PASSIVATE

-  ROTATION: 90 DEGREES LEFT HAND, DETENTED
-  ROTATION: 90 DEGREES RIGHT HAND, DETENTED
-  DELETED
-  STATIC LOAD: 460 LBS



REVISIONS				
ZONE	LTR.	DESCRIPTION	DATE	APPROVED
	NC	PRODUCTION RELEASE	9.19.91	SC
	A	ADDED -5 AND -6	10.9.93	SC
	B	REM'D -3,-5,-6/ADDED -7,-8	11.1.93	SC
	C	ADDED -9/-10	3-8-00	T.C.

QTY. REQ'D	PART / IDENT NO.	DESCRIPTION	MATERIAL / SPECIFICATION	ITEM NO.
6.25	-10	RETAINER		
6.25	-9	RETAINER		
2.20	-8	RETAINER		
2.20	-7	RETAINER		
	-6	REMOVED	(SEE 20874-2)	
	-5	REMOVED	(SEE 20874-1)	
	-3	REMOVED	(SEE 20874-3)	
4.25	-2	RETAINER		
4.25	-1	RETAINER		

A DIM	UNLESS OTHERWISE SPECIFIED: DIMENSIONS ARE IN INCHES		CONTRACT NO.		 <b>SKYLOCK INDUSTRIES INCORPORATED</b> MONROVIA, CALIFORNIA, USA
	TOLERANCES		CUSTOMER		
	DECIMALS .XX ±.03 .XXX ±.010	ANGULAR ± 0 30'	DRAWN BY S. CSIK	DATE 9.19.91	
	DO NOT SCALE DRAWING		CHECK		
NEXT ASSY	FINAL ASSY	DESIGN		1/4 TURN RETAINER	
USED ON		DESIGN ACTIVITY		SIZE C	REV. C
FINISH	ACT WT	CALC WT	DESIGN NO. 51941	DRAWING NO. 20729	
			SCALE 1/1	RELEASE DATE 9.19.91	SHEET 1 OF 1