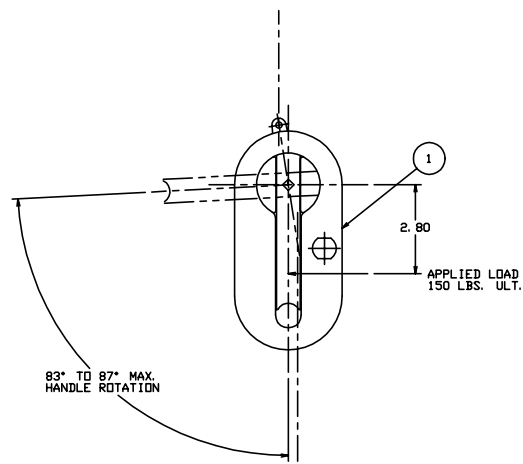


THE INFORMATION AND DESIGN HEREIN WAS DEVELOPED BY AND IS THE PROPERTY OF SOLIDEX INDUSTRIES INCORPORATED. SOLIDEX INDUSTRIES INCORPORATED RESERVES ALL PATENT, PROPRIETARY, DESIGN MANUFACTURING INFORMATION, AND SALES RIGHTS HEREIN, AND TO ANY ARTICLES DEVELOPED THEREIN EXCEPT TO THE EXTENT RIGHTS ARE EXPRESSLY GRANTED TO OTHERS. THE FOREGOING DOES NOT APPLY TO NON-PATENTABLE PARTS.

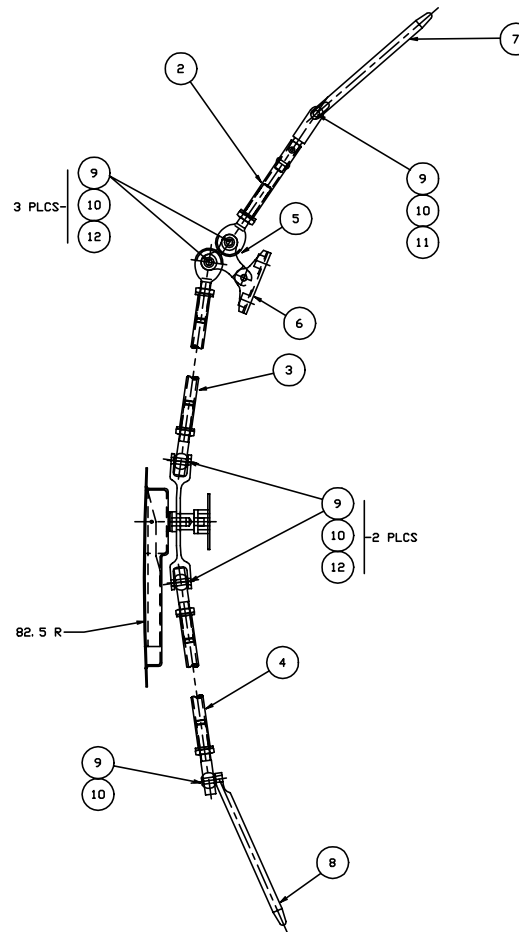
NOTES: UNLESS OTHERWISE SPECIFIED.

1. REMOVE ALL BURRS AND BREAK SHARP EDGES.
2. MAT'L: HANDLE, CASE, RODS, SUPPORT; ALUM. ALLOY. BOLTS, BELLCRANKS, IDLER SUPPORT, ROD CLEVIS; CRES. BUSHING; NYLON.
3. FINISH: ALUM. ALLOY; CLEAR ANODIZE PER MIL-A-8625, CRES PARTS; PASSIVATE PER QQ-P-35.
4. FINISH: RODS, CASE, HANDLE, SUPPORT; POLYAMIDE EPOXY PRIMER PER MIL-P-23377, ONE COAT.
5. HANDLE IS SPRING LOADED DOWN. ROTATE HANDLE 87° MAX. TO DISENGAGE UPPER BOLT 1.40° AND LOWER BOLT 1.50°.

REVISIONS				
ZONE	LTR	DESCRIPTION	DATE	APPROVED
	NC	PRODUCTION RELEASE	5-2-95	S. CSIK
	A	UPDATED ITEM 6 PER CUST LDI407AA3018	9-26-95	S. CSIK
	B	PICTORIALLY UPDATED ITEM 2, IS ROD END BEARING, WAS CLEVIS (PER CUST. REQUEST)	4-21-98	T. CSIK



(VIEW LOOKING INBOARD)



(VIEW LOOKING FORWARD)

(ALL LINKAGE AND BOLTS SHOWN AT APPROX. ANGLES)

-401 DOOR BOLTING SYSTEM

QTY	PART NO.	DESCRIPTION	MATERIAL	SIZE	SPECIFICATION	ITEM NO.
5	MS20392-2C21	STRAIGHT PIN				12
1	MS20392-2C15	STRAIGHT PIN				11
6	AN960C10L	WASHER				10
6	MS24665-170	PIN, CUTTER				9
1	3197-201	BOLT ASSY				8
1	3197-1	BOLT				7
1	3196-201	SUPPORT ASSY				6
1	3195-1	BELLCRANK, IDLER				5
1	3194-205	ROD ASSY				4
1	3194-203	ROD ASSY				3
1	3194-201	ROD ASSY				2
1	3190-201	HANDLE ASSY				1

PARTS LIST		UNLESS OTHERWISE SPECIFIED		DRAWN BY T. CSIK 10-00-94		CHECKED S. CSIK 10-00-94		SOLIDEX INDUSTRIES INCORPORATED MORNINGVIEW, CALIFORNIA	
DIMENSIONS ARE IN INCHES		DECIMALS		ANGLES		DRILLED HOLES		<p>DOOR BOLTING SYSTEM LITTER DOOR</p> <p>SIZE: D 51941 CODE IDENT. NO: 20899 REV: B</p> <p>SCALE: 1:2 SHEET: 1 OF 1</p>	
TOLERANCES ON		.001, .002, .003, .004, .005, .006, .007, .008, .009, .010		.001, .002, .003, .004, .005, .006, .007, .008, .009, .010		.001, .002, .003, .004, .005, .006, .007, .008, .009, .010			
DO NOT SCALE THIS DRAWING		APPROVAL		PROJECT S. CSIK 10-00-94		APPROVAL S. CSIK 10-00-94			
MATERIAL - FINISH		USED ON		DATE		DATE			