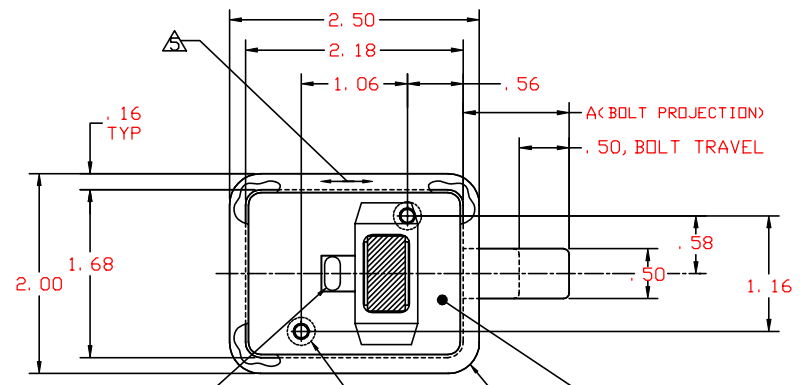


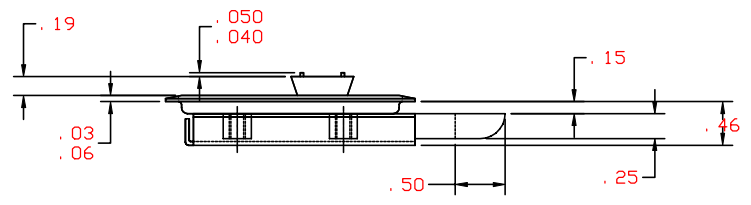
THE INFORMATION AND DESIGN HEREIN WAS ORIGINATED BY AND IS THE PROPERTY OF SKYLOCK INDUSTRIES INCORPORATED. SKYLOCK INDUSTRIES INCORPORATED RESERVES ALL PATENT, PROPRIETARY, DESIGN MANUFACTURING, REPRODUCTION, USE AND SALES RIGHTS THERE TO, AND TO ANY ARTICLE DISCLOSED THEREIN EXCEPT TO THE EXTENT RIGHTS ARE EXPRESSLY GRANTED TO OTHERS. THE FOREGOING DOES NOT APPLY TO VENDOR PROPRIETARY PARTS.

REVISIONS				
ZONE	LTR	DESCRIPTION	DATE	APPROVED
	NC	PRODUCTION RELEASE	5/23/84	MT
	A	ADD-A03 & TAB BLOCK	10/5/90	M
	B	SEE ECN B	8/ /98	X



AREA HAS GREEN BACKGROUND WHEN BOLT IS EXTENDED, RED BACKGROUND WHEN BOLT IS NOT FULLY LATCHED.

NO. 8-32 THD<STANDOFF> SELF-LOCKING X.24 DEEP 2 PLACES FAR SIDE



- △ DECORATIVE FINISH: SATIN BUFF AS SHOWN
  - ▲ DECORATIVE FINISH: SATIN MATTE
  - 3. FINISH: ALM PARTS- CLEAR ANODIZE PER MIL-A-8625, TYPE II, CLASS I
  - 2. MAT'L : HANDLE- ALUM. ALLOY  
MAGNET ASSY. -CERAMIC & STEEL  
ALL OTHER PARTS-CRES
  - 1. REMOVE ALL BURRS AND SHARP CORNERS.
- NOTES: UNLESS OTHERWISE SPECIFIED

1.22		-403	LATCH ASSY			
1.06		-401	LATCH ASSY			
A	QTY REQD	PART NO.	DESCRIPTION	MATERIAL	SIZE	APPLICATION
PARTS LIST						
UNLESS OTHERWISE SPECIFIED			DRAWN BY	J. C. OCHOA	5/23/84	SKYLOCK INDUSTRIES INCORPORATED MONROVIA CALIFORNIA U. S. A.
DIMENSIONS ARE IN INCHES			CHECKED	M. FOSTER	5/23/84	
TOLERANCES ON			ENGINEER	M. FOSTER	5/23/84	
DECIMALS ANGLES DRILLED HOLES			PROJECT			
.X ± .1 ± 0° 30' AND 10387			APPROVAL			LATCH ASSEMBLY - DETENTED
.XX ± .03			APPROVAL			
.XXX ± .010			APPROVAL			
DO NOT SCALE THIS DRAWING			MATERIAL - FINISH		USED ON	SIZE
			NOTED			CODE IDENT. NO.
						DRAWING NO.
						REV.
						SCALE
						1 TO 1
						VT.
						SHEET 1 OF 1