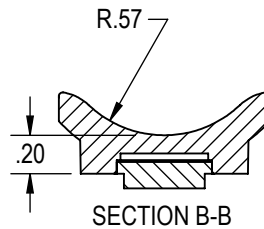


OPTIONAL PRIMER
THIS SURFACE

INSTALLATION FIXTURE HOLDS
MOUNT WHILE ADHESIVE CURES.

MOUNT ATTACHED BY ADHESIVE
APPLIED TO THIS SURFACE.



NOTE: DIMENSIONS NOT REFERENCED
ARE CONTROLLED BY CAD DATA

MATERIAL AND FINISH DATA

CODE	MATERIAL	FINISH	APPROX. WEIGHT
V	40% GLASS REINFORCED POLYETHERIMIDE	ABRASIVE CLEAN	.0217 LB

EXAMPLE PART NUMBER

CB4567 V P

OPTIONAL MIL-PRF-85582 BASEPLATE PRIMER
MATERIAL - 40% GLASS REINFORCED POLYETHERIMIDE
BASIC PART NUMBER

UNLESS OTHERWISE SPECIFIED, ALL DIMENSIONS ARE IN INCHES AND TOLERANCES ARE AS SHOWN BELOW. DIMENSIONAL TOLERANCES AND SYMBOLS PER ANSI Y14.5M-1982.

THE PARTS SHOWN IN THIS DRAWING ARE PROPRIETARY AND MAY BE THE SUBJECT OF ISSUED UNITED STATES AND FOREIGN PATENTS AND PATENTS PENDING. UNAUTHORIZED REPRODUCTION AND/OR DISTRIBUTION OF THIS DRAWING IS SPECIFICALLY PROHIBITED.



2151 LOCKHEED WAY
CARSON CITY, NEVADA 89706

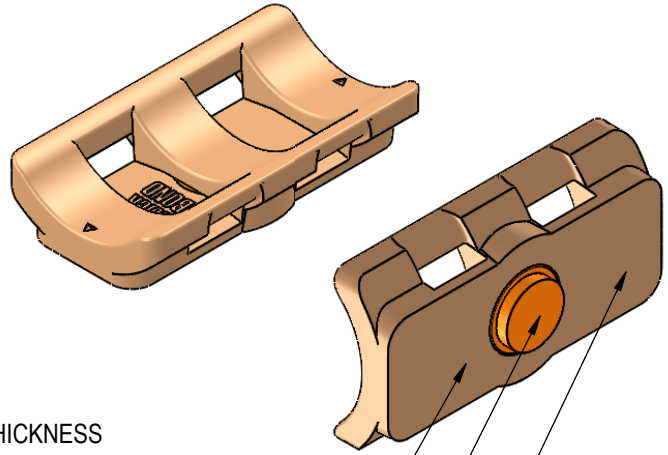
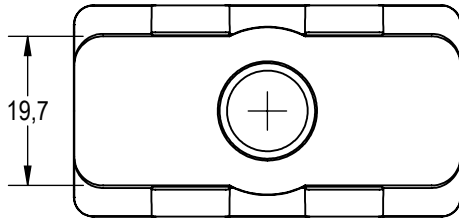
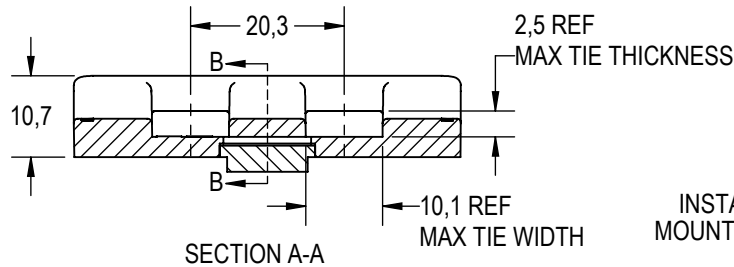
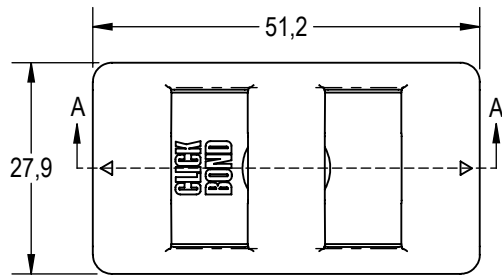
CAD CB4567-1

APPROVALS DATE

ANGLES	±1°	DRAWN	GTP	30APR15
.XX	±.03	CHECKED	<i>DD Carter</i>	27AUG15
.XXX	±.010	RELEASED	<i>DD Carter</i>	27AUG15
.XXXX	±.001	REVISED	GTP	27AUG15

TITLE
MOUNT, CABLE TIE, DOUBLE, LARGE

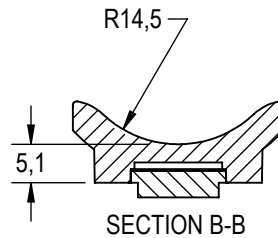
SIZE	CAGE CODE	DWG. NO.	REV.
A	66530	CB4567	1
SCALE: 1:1		27AUG15	SHEET 1 OF 2



OPTIONAL PRIMER
THIS SURFACE

INSTALLATION FIXTURE HOLDS
MOUNT WHILE ADHESIVE CURES.

MOUNT ATTACHED BY ADHESIVE
APPLIED TO THIS SURFACE.



NOTE: DIMENSIONS NOT REFERENCED
ARE CONTROLLED BY CAD DATA

MATERIAL AND FINISH DATA

CODE	MATERIAL	FINISH	APPROX. WEIGHT
V	40% GLASS REINFORCED POLYETHERIMIDE	ABRASIVE CLEAN	9,84 g

EXAMPLE PART NUMBER

CB4567 V P

OPTIONAL MIL-PRF-85582 BASEPLATE PRIMER
MATERIAL - 40% GLASS REINFORCED POLYETHERIMIDE
BASIC PART NUMBER

UNLESS OTHERWISE SPECIFIED, ALL
DIMENSIONS ARE IN MILLIMETERS AND
TOLERANCES ARE AS SHOWN BELOW.
DIMENSIONAL TOLERANCES AND SYMBOLS
PER ANSI Y14.5M-1982.

CAD CB4567-2
METRIC DIMENSIONS

THE PARTS SHOWN IN THIS DRAWING ARE PROPRIETARY
AND MAY BE THE SUBJECT OF ISSUED UNITED STATES
AND FOREIGN PATENTS AND PATENTS PENDING.
UNAUTHORIZED REPRODUCTION AND/OR DISTRIBUTION
OF THIS DRAWING IS SPECIFICALLY PROHIBITED.

APPROVALS		DATE
DRAWN	GTP	30APR15
CHECKED	<i>[Signature]</i>	27AUG15
RELEASED	<i>[Signature]</i>	27AUG15
REVISED	GTP	27AUG15



2151 LOCKHEED WAY
CARSON CITY, NEVADA 89706

TITLE
MOUNT, CABLE TIE, DOUBLE, LARGE

ANGLES	±1°	CHECKED	<i>[Signature]</i>	27AUG15	SIZE	CAGE CODE	DWG. NO.	REV.
.X	±0,8	RELEASED	<i>[Signature]</i>	27AUG15	A	66530	CB4567 (METRIC)	1
.XX	±0,25	REVISED	GTP	27AUG15	SCALE: 1:1	27AUG15	SHEET 2 OF 2	