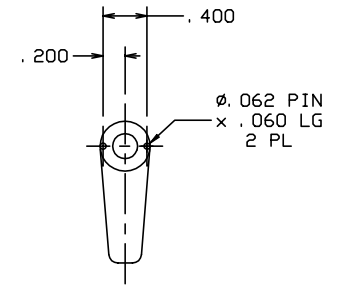
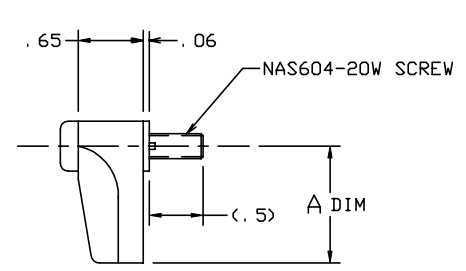
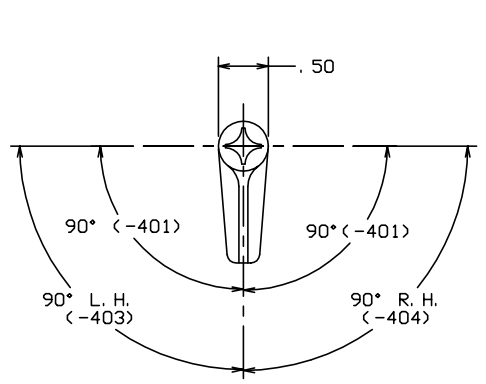


THE INFORMATION AND DESIGN HEREIN WAS ORIGINATED BY AND IS THE PROPERTY OF SKYLOCK INDUSTRIES INCORPORATED. SKYLOCK INDUSTRIES INCORPORATED RESERVES ALL PATENT, PROPRIETARY, DESIGN MANUFACTURING, REPRODUCTION, USE AND SALES RIGHTS THERE TO, AND TO ANY ARTICLE DISCLOSED THEREIN EXCEPT TO THE EXTENT RIGHTS ARE EXPRESSLY GRANTED TO OTHERS. THE FOREGOING DOES NOT APPLY TO VENDOR PROPRIETARY PARTS.

| REVISIONS |     |                                                                                      |          |          |
|-----------|-----|--------------------------------------------------------------------------------------|----------|----------|
| ZONE      | LTR | DESCRIPTION                                                                          | DATE     | APPROVED |
|           | NC  | PRODUCTION RELEASE                                                                   | 11-11-88 | T. S.    |
|           | A   | REDRAWN, ADDED -403/-404                                                             | 4-4-95   | T. CSIK  |
|           | B   | REVISED DIMENSIONS FOR ANTI-ROTATION PIN LOCATIONS: IS .200 WAS .22, IS .400 WAS .44 | 1-22-96  | T. CSIK  |
|           | C   | SEE ECN C                                                                            |          |          |

NOTES: UNLESS OTHERWISE SPECIFIED.

- REMOVE ALL BURRS AND BREAK SHARP EDGES.
- MAT'L REF.: RETAINER; 7075-T6/T651 PER ASTM B-221, OR EQUIV. ALL OTHER PARTS; 303 CRES, COND. A, PER AMS-5640N OR EQUIV.
- FINISH REF.: CRES PARTS; PASSIVATE PER AMS-QQ-P-35.
- DECORATIVE FINISH REF.: RETAINER; BRIGHT POLISH, AND ANODIZE PER MIL-A-8625, TYPE II, CLASS 2, DYED CANDY APPLE RED.
- APPLICABLE TO FAA-PMA REPLACEMENT OR MODIFICATION PARTS ONLY. PER FAR 45.15, PARTS WILL BE IDENTIFIED WITH:
  - FAA-PMA.
  - SKYLOCK IND. INC.
  - PART NO.
  - AIRCRAFT INSTALLATION ELIGIBILITY.



-401, -403, -404 RETAINER

| 1. 17 | -404     | RETAINER    | <90° RIGHT HAND             | 120632-404 |
|-------|----------|-------------|-----------------------------|------------|
| 1. 17 | -403     | RETAINER    | <90° LEFT HAND              | 120632-403 |
| 1. 17 | -401     | RETAINER    | <180°, DETENTED AT 90°      | 120632-401 |
| A DIM | PART NO. | DESCRIPTION | MATERIAL SIZE SPECIFICATION | MAKE FROM  |

| PARTS LIST                                                                      |                  |         |                                                                 |              |
|---------------------------------------------------------------------------------|------------------|---------|-----------------------------------------------------------------|--------------|
| UNLESS OTHERWISE SPECIFIED                                                      | DRAWN BY T. CSIK | 4-4-95  | SKYLOCK INDUSTRIES INCORPORATED<br>MONROVIA CALIFORNIA U. S. A. |              |
| DIMENSIONS ARE IN INCHES                                                        | CHECKED T. CSIK  | 9/10/99 |                                                                 |              |
| TOLERANCES ON                                                                   | ENGINEER T. CSIK | 9/10/99 |                                                                 |              |
| DECIMALS ANGLES DRILLED HOLES                                                   | MFG P. MATSUOKA  | 9/14/99 |                                                                 |              |
| .X ± .1 ± 0° 30' AND 10387                                                      | QC J. VIVIRITO   | 9/15/99 | 20632 RETAINER                                                  |              |
| .XX ± .03                                                                       |                  |         |                                                                 |              |
| .XXX ± .010                                                                     |                  |         |                                                                 |              |
| DO NOT SCALE THIS DRAWING                                                       |                  |         |                                                                 |              |
| MATERIAL - FINISH                                                               | USED ON          | SIZE    | CODE IDENT. NO.                                                 | DRAWING NO.  |
| NEXT ASSY                                                                       |                  | C       | 51941                                                           | 20632        |
| MANUFACTURE IN ACCORDANCE WITH SKYLOCK IND. INC., QUALITY CONTROL MANUAL QC.001 |                  | SCALE   | 1: 1                                                            | REV. C       |
|                                                                                 |                  |         | VT.                                                             | SHEET 1 OF 1 |