

4

3

2


1

THE INFORMATION AND DESIGN HEREIN WAS ORIGINATED BY AND IS THE PROPERTY OF SKYLOCK INDUSTRIES INCORPORATED. SKYLOCK INDUSTRIES INCORPORATED RESERVES ALL PATENT, PROPRIETARY, DESIGN, MANUFACTURING, REPRODUCTION, USE AND SALES RIGHTS THERETO, AND TO ANY ARTICLE DISCLOSED THEREIN EXCEPT TO THE EXTENT RIGHTS ARE EXPRESSLY GRANTED TO OTHERS. THE FOREGOING DOES NOT APPLY TO VENDOR PROPRIETARY ITEMS. SKYLOCK IND. INC. WARRANTS THAT THIS PRODUCT MANUFACTURED AND SOLD BY US WILL BE FREE OF MATERIAL AND WORKMANSHIP DEFECTS. AS SUCH, A LIMITED WARRANTY OF 18 MONTHS FROM OUR SHIPPING DATE WILL APPLY. THIS LIMITED WARRANTY IS VOID IF THE PRODUCT IS ABUSED, USED FOR A PURPOSE NOT INTENDED BY SKYLOCK, IS IMPROPERLY INSTALLED, OR IS IMPROPERLY MAINTAINED. THE EXTENT OF SKYLOCK'S LIABILITY WILL BE LIMITED TO, AT OUR OPTION, THE PURCHASE PRICE OR REPLACEMENT OR REPAIR OF THE PRODUCT ONCE SKYLOCK HAS DETERMINED THAT THE PRODUCT WAS IMPAIRED FOR THE USE IT WAS INTENDED BY US DUE TO A DEFECT IN MATERIAL OR WORKMANSHIP. ANY WARRANTY CLAIMS MUST BE PROVIDED TO US WITHIN 30 DAYS IN WRITING AFTER INITIAL DISCOVERY OF ANY DEFECTS. NO PARTS ARE TO BE RETURNED UNLESS AUTHORIZED BY AN OFFICER OF SKYLOCK IND. INC. ANY DEVIATION FROM THIS LIMITED WARRANTY MUST BE AUTHORIZED BY AN OFFICER OF SKYLOCK IND. INC.

REVISIONS				
ZONE	LTR	DESCRIPTION	DATE	APPROVED
	NC	PRODUCTION RELEASE	4-22-98	T. C.

NOTES: UNLESS OTHERWISE SPECIFIED.

1. MAT'L: TURN-ALUMINUM ALLOY; CAM AND OTHER COMPONENTS-300 SERIES CRES.
2. FINISH: ALUMINUM PARTS-ANODIZE; CRES PARTS-PASSIVATE; SCREW-CAD PLATE.
3. DETENT EACH 90° OF ROTATION THRU 180° AS INDICATED.
4. DECORATIVE FINISH: BRIGHT BUFF, AND CANDY APPLE RED ANODIZE.

		-1	RETAINER		
PART NO.		DESCRIPTION			
PARTS LIST					
UNLESS OTHERWISE SPECIFIED		DRAWN BY T. CSIK		4-22-98	
DIMENSIONS ARE IN INCHES		CHECKED		 SKYLOCK INDUSTRIES INCORPORATED MONROVIA CALIFORNIA U. S. A.	
TOLERANCES ON		ENGINEER			
DECIMALS ANGLES DRILLED HOLES		PROJECT			
.X ± .1 ± 0° 30' AND 10367		APPROVAL			
.XX ± .03		APPROVAL		RETAINER	
.XXX ± .010		APPROVAL			
DO NOT SCALE THIS DRAWING		USED ON		SCALE	
MATERIAL - FINISH		USED ON		SIZE	CODE IDENT. NO.
NEXT ASSY		USED ON		C	51941
FINAL ASSY		USED ON		DRAWING NO.	
				20361	
				REV.	NC
				SHEET 1 OF 2	

4

3

2

1

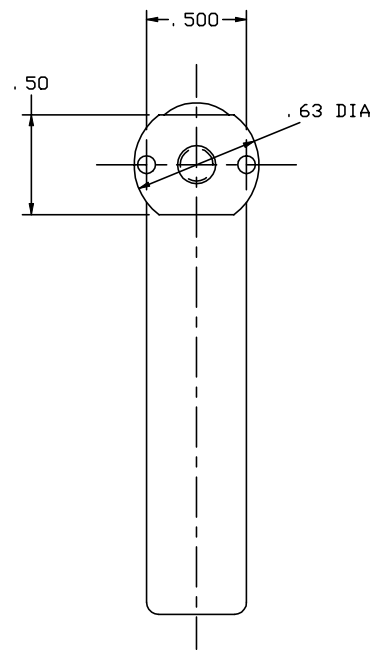
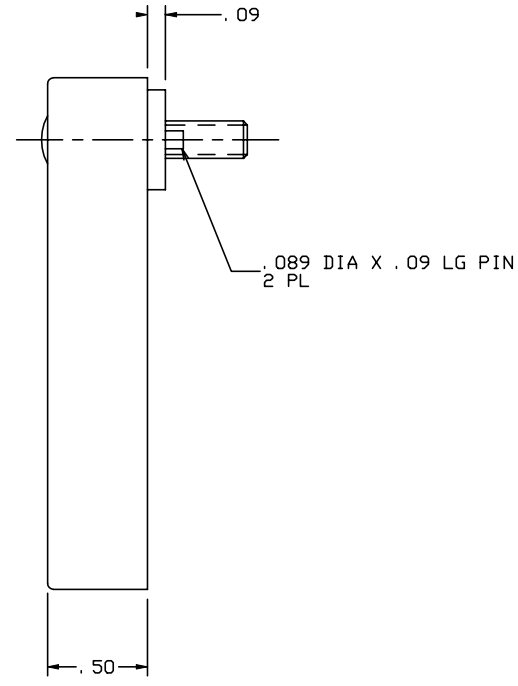
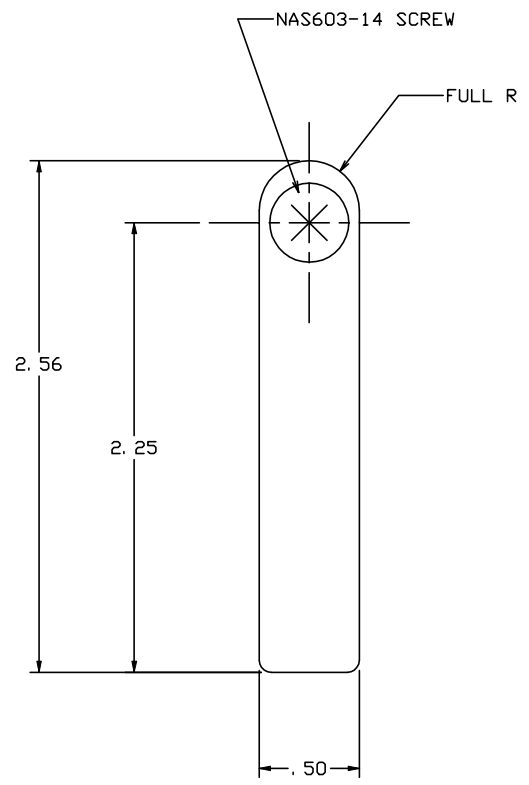
4

3


2

1

REVISIONS				
ZONE	LTR	DESCRIPTION	DATE	APPROVED
		SEE SHT. 1 FOR NOTES		



-1 RETAINER


SKYLOCK INDUSTRIES INCORPORATED
 MONROVIA CALIFORNIA U. S. A.

RETAINER

SIZE	CODE IDENT. NO.	DRAWING NO.	REV.
C	51941	20361	NC
SCALE	2: 1		VT.
		SHEET	2 OF 2

4

3

2

1