

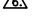
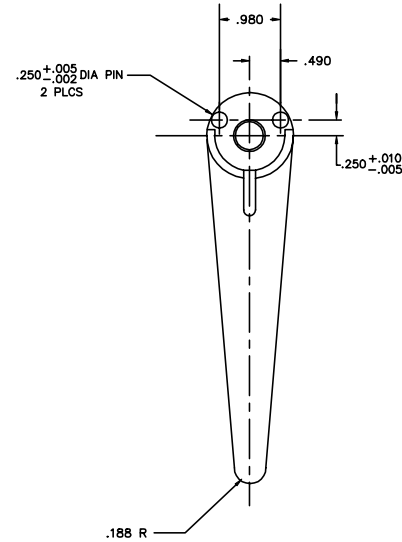
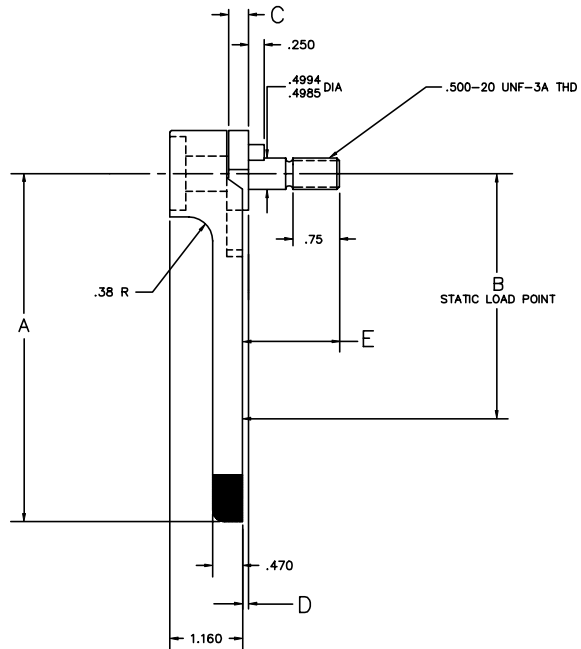
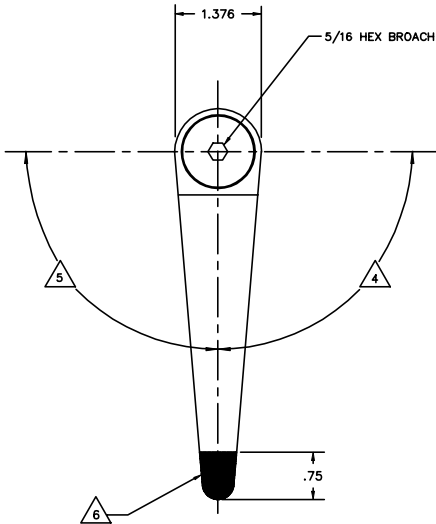


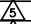



THE INFORMATION AND DESIGN HEREIN WAS ORIGINATED BY AND IS THE PROPERTY OF SKYLOCK INDUSTRIES INCORPORATED. SKYLOCK INDUSTRIES INCORPORATED RESERVES ALL PATENT, PROPRIETARY, DESIGN MANUFACTURING, REPRODUCTION, USE AND SALES RIGHTS THEREIN, AND TO ANY ARTICLE DISCLOSED HEREIN EXCEPT TO THE EXTENT RIGHTS ARE EXPRESSLY GRANTED TO OTHERS. THE FOREGOING DOES NOT APPLY TO VECTOR PROPRIETARY PATENTS.

NOTES: UNLESS OTHERWISE SPECIFIED

- REMOVE ALL BURRS AND SHARP EDGES
- MAT'L: TURN AND SHAFT; 17-4 PH CRES;
BASE AND ALL OTHER COMPONENTS; 303 CRES
- FINISH: SATIN BRUSH
-  ROTATION: 90 DEGREES RIGHT HAND, DETENTED
-  ROTATION: 90 DEGREES LEFT HAND, DETENTED
-  NOTED AREA IS PAINTED WITH SCUFF RESISTANT CANDY APPLE RED PAINT
- SHAFT DOES NOT NEED TORQUE ADJUSTMENT; TIGHTEN SHAFT AS MUCH AS POSSIBLE UPON INSTALLATION


REVISIONS:				
ZONE	LTR.	DESCRIPTION	DATE	APPROVED
	NC	PRODUCTION RELEASE	10.3.91	SC
	A	ADDED "D" AND "E" DIMS	10.10.91	SC



1.400	.190	.440	4.024	5.500	2,250 LBS	-7	RETAINER	
1.400	.190	.440	4.024	5.500	2,250 LBS	-5	RETAINER	
1.280	.060	.310	4.024	5.500	2,250 LBS	-3	RETAINER	
1.280	.060	.310	4.024	5.500	2,250 LBS	-1	RETAINER	

QTY REQD	PART / IDENT NO.	DESCRIPTION	MATERIAL / SPECIFICATION	REV. NO.

UNLESS OTHERWISE SPECIFIED: DIMENSIONS ARE IN INCHES		CONTRACT NO.	
TOLERANCES	ANGULAR	DRAWN BY	DATE
DIMEN. .005	4.0 20'	S. CSIK	10.3.91
POS. .010		CHECK	
DO NOT SCALE DRAWING			
NEXT ASSY	FINAL ASSY	DESIGN	
USED ON	DESIGN ACTIVITY		
FINISH	ACT WT	CALC WT	CUSTOMER

 SKYLOCK INDUSTRIES INCORPORATED MONROVIA, CALIFORNIA, USA			
1/4 TURN RETAINER			
REV. D	FORM NO. 51941	DRAWING NO. 20712	REV. A
SCALE 1/1	RELEASE DATE 10.3.91	SHEET 1 OF 1	