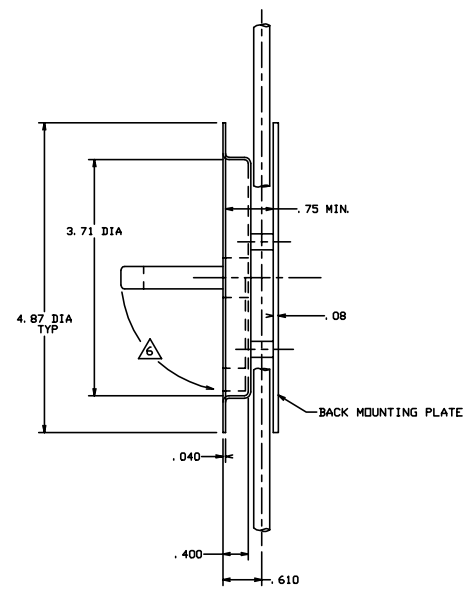
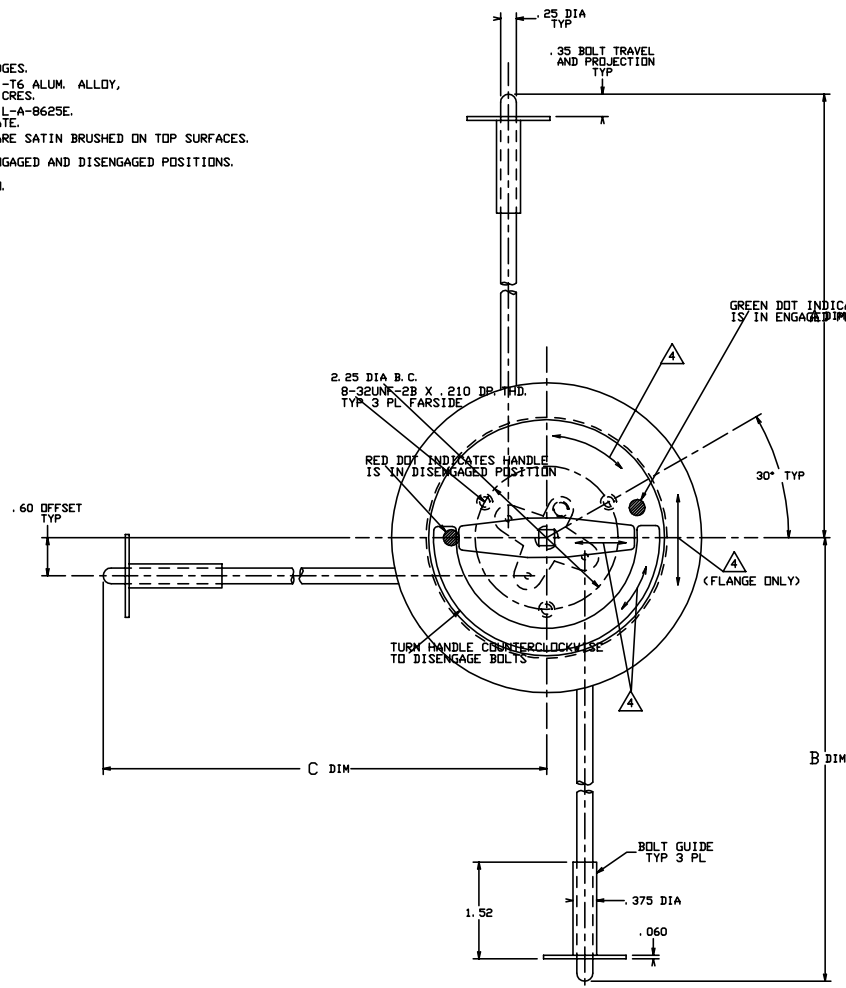


THE INFORMATION AND DESIGN HEREIN WAS ORIGINATED BY AND IS THE PROPERTY OF SOLIDIX INDUSTRIES INCORPORATED. SOLIDIX INDUSTRIES INCORPORATED RESERVES ALL PATENT, PROPRIETARY, DESIGN MANUFACTURING INFORMATION, AND SALES RIGHTS HEREIN, AND TO ANY ARTICLES DEVELOPED THEREIN EXCEPT TO THE EXTENT RIGHTS ARE EXPRESSLY GRANTED TO OTHERS. THE FOREGOING DOES NOT APPLY TO NON-PATENTED PARTS.

- NOTES: UNLESS OTHERWISE SPECIFIED.
1. REMOVE ALL BURRS AND BREAK SHARP EDGES.
 2. MAT'L: *D* HANDLE AND TEE BAR, 6061-T6 ALUM. ALLOY, ALL OTHER PARTS, 300 SERIES CRES.
 3. FINISH: ALUM., CLEAR ANODIZE PER MIL-A-8625E. ST. STL.; CLEAN AND PASSIVATE.
 4. DECORATIVE FINISH: HANDLE AND CUP ARE SATIN BRUSHED ON TOP SURFACES.
 5. BOLTING SYSTEM TO BE DETENTED IN ENGAGED AND DISENGAGED POSITIONS.
 6. *D* HANDLE TO BE SPRING LOADED DOWN.

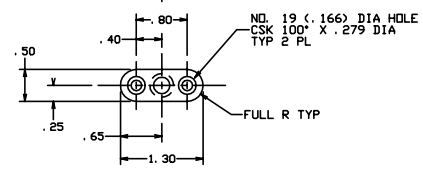


REVISIONS				
ZONE	LTR	DESCRIPTION	DATE	APPROVED
NC		PRODUCTION RELEASE	6-21-91	T. C.

EXAMPLE:

20708-401-100-100-055
 A DIM. @ 10.0 INCHES
 B DIM. @ 10.0 INCHES
 C DIM. @ 5.5 INCHES

-402	FIRST TWO DIGITS (INCHES) THIRD DIGIT (TENTH IN.) A DIM.	FIRST TWO DIGITS (INCHES) THIRD DIGIT (TENTH IN.) B DIM.	FIRST TWO DIGITS (INCHES) THIRD DIGIT (TENTH IN.) C DIM.
-401	FIRST TWO DIGITS (INCHES) THIRD DIGIT (TENTH IN.) A DIM.	FIRST TWO DIGITS (INCHES) THIRD DIGIT (TENTH IN.) B DIM.	FIRST TWO DIGITS (INCHES) THIRD DIGIT (TENTH IN.) C DIM.
FIRST DASH NO.	SECOND DASH NO.	THIRD DASH NO.	FOURTH DASH NO.



SEE TABULATION BLOCK FOR ORDERING INFORMATION

	-402	BOLTING SYSTEM	(OPP. -401)	
	-401	BOLTING SYSTEM	(SHOWN)	
QTY REQD	PART NO.	DESCRIPTION	MATERIAL	SIZE SPECIFICATION
PARTS LIST				
UNLESS OTHERWISE SPECIFIED	DRAWN BY	T. CSIK	6-21-91	 SOLIDIX INDUSTRIES INCORPORATED IRVINE, CALIFORNIA
DIMENSIONS ARE IN INCHES	CHECKED			
TOLERANCES ON DECIMALS	ANGLES	DRIILLED HOLES		
.0005, .001, .002, .005, .010, .015, .030, .050, .060, .075, .100, .150, .200, .250, .300, .400, .500, .600, .750, 1.000	± 0° 30'	AND 100M7		
DO NOT SCALE THIS DRAWING	APPROVAL			
MATERIAL - FINISH	USED ON			
NEXT ASBY				
FINAL ASBY				
	SIZE	CODE IDENT. NO.	DRAWING NO.	REV.
	D	51941	20708	NC
	SCALE	1:1	VS.	SHEET 1 OF 1

3 POINT
DOOR BOLTING SYSTEM