

E DIM. IS .68 DIA, WAS .66 DIA

2-2-78 T.C.

C SEE CHG NOTICE 10555

8/25/81 *JEE*

REVISIONS

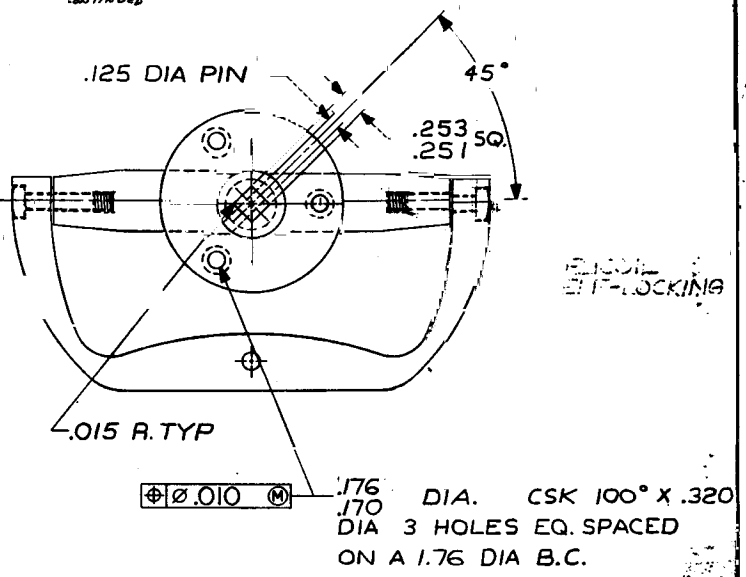
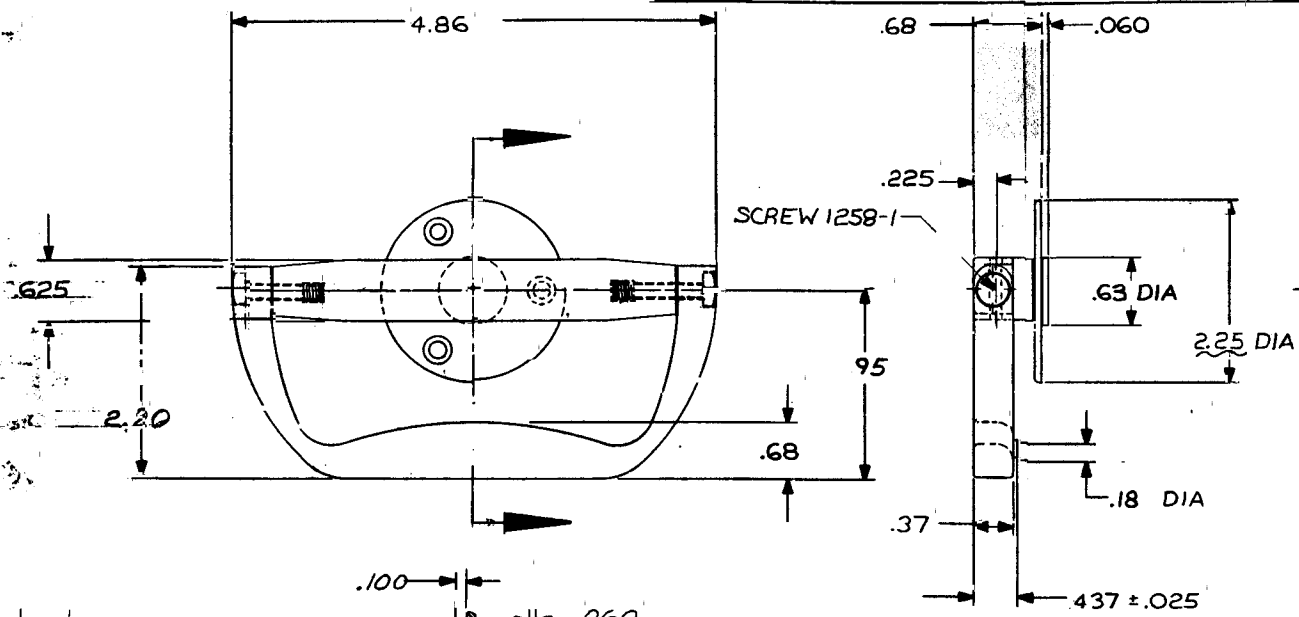
F SEE ECN F

3/9/99 T.C.

D SEE CHG NOTICE 10948

1/13/86 KS

SYM	DESCRIPTION	DATE	BY
A	SEE CHG NOTE 10418	9-3-79	JEE
B	SEE CHG NOTE 10458	11-21-79	JEE



- 8 DWG CONFORMS WITH BELL DWG NO. 206-031-620
  - 7 BREAK ALL SHARP EDGES .015 X 45° OR .015 R
  - 6 MIN STRENGTH: 200 IN.LB. TORQUE.
  - 5 WEIGHT NOT TO EXCEED .30 LB
  - 4 MARK PART NO & BELL P/N PER BPS 4050
  - 3 HANDLE IS SPRING LOADED DOWN
  - 2 FINISH: ON VISIBLE SURFACES, AS INSTALLED, TO BE SATIN BRUSH AND CLEAR ANODIZE PER MIL-A-8625 TYPE II, CLASS I  
CRES PARTS: PASSIVATE
- MAT'L: BUMPER-NYLON 6/6  
HANDLE & CROSSBAR-MACHINED 6061-T6 ALUM PER QQ-A-200/8 OR 356-T6 CASTING PER QQ-A-731; ESCUTCHEON 6061-T6 ALUM PER QQ-A-250/11 ALL OTHER PARTS 300 SERIES CRES

NOTES: UNLESS OTHERWISE SPECIFIED

-1		HANDLE ASSY	
PART NUMBER		DESCRIPTION	
MATERIAL OR NOTE		LIST OF MATERIAL	
UNLESS OTHERWISE NOTED DIMENSIONS ARE IN INCHES. TOLERANCES ON: DECIMALS .XX ± .03 .XXX ± .010 ANGLES ± DRILLED HOLES PER AND10387		CONTRACT NO.	
SURFACE ROUGHNESS		DRAFTSMAN JEE	
HEAT TREAT		CHECKER	
FINISH		ENGINEER <i>JEE</i>	
INSPECT		PROD. APPD	
REF. NO.		APPROVAL <i>JEE</i>	
NEXT ASSY		USED ON	
APPLICATION		SIZE CODE IDENT NO.	
		C 51941	
		20317	
		SCALE 1/1	
		WT CALC	
		WT ACT	
		SHEET 1/1	

SKYLOCK INDUSTRIES, INC.  
SO. EL MONTE, CALIFORNIA

"D" HANDLE ASSEMBLY