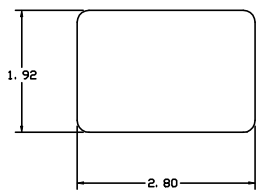
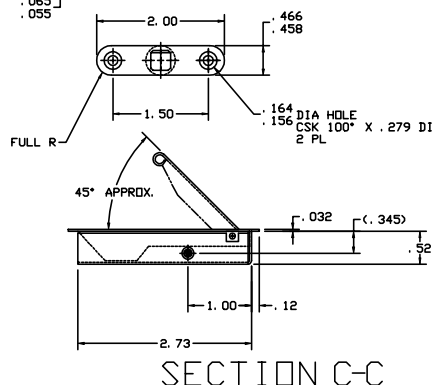
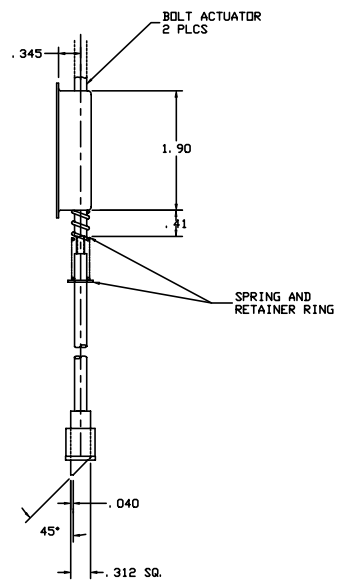
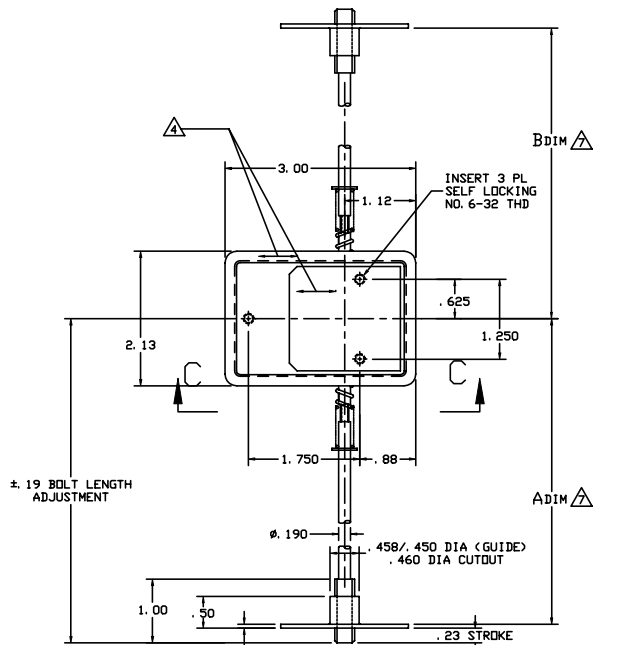


THE INFORMATION AND DESIGN HEREIN WAS ORIGINATED BY AND IS THE PROPERTY OF SKYLOCK INDUSTRIES INCORPORATED. SKYLOCK INDUSTRIES INCORPORATED RESERVES ALL PATENT, PROPRIETARY, DESIGN MANUFACTURING INFORMATION, USE AND SALES RIGHTS HEREIN, AND TO ANY ARTICLES DEVELOPED THEREIN EXCEPT TO THE EXTENT RIGHTS ARE EXPRESSLY GRANTED TO OTHERS. THE FOREGOING DOES NOT APPLY TO NON-PATENTABLE RIGHTS.

REVISIONS				
ZONE	LTR	DESCRIPTION	DATE	APPROVED
B		SEE ECN B FOR NOTES	12/23/98	T. CSIK



DOOR CUTOUT INFORMATION



SECTION C-C

9. PER FAR45.15, PARTS WILL BE IDENTIFIED WITH:
1. FAA-IPMA,
 2. SKYLOCK IND. INC.
 3. PART NO.
 4. AIRCRAFT ELIGIBILITY.

⊠ HEAT RESISTANCE COATING IN AREA DESIGNATED.
EXAMPLE: PART NO. (ROD LENGTH)

- 20525-3-0837
 - LENGTH 8.37
 - SINGLE ROD A OR B DIM.
- 20525-5-0837-0837
 - LENGTH ADIM AND BDIM 8.37-8.37
 - DOUBLE RODS

⊠ ROD LENGTHS FOR ADIM. AND BDIM. SEE EXAMPLE PART NO.

6. LATCH INSTALLATION: WITH BOLT RODS REVOLVED, LIFT HANDLE TO RETRACT BOLT ACTUATOR FLUSH WITH CASE AND MOUNT IN DOOR CUTOUT, INSTALL BOLT AND GUIDES.

5. OPERATION: LIFT HANDLE APPROX 45° TO RETRACT BOLTS, BOLTS ARE SPRING LOADED AND FREE TO LATCH.

⊠ REFERENCE DECORATIVE FINISH SATIN BRUSH IN DIRECTION SHOWN.

3. REFERENCE FINISH: PASSIVATE PER AMS-QQ-P-35, TYPE II, OR EQUIV.

2. REFERENCE MATERIAL: ALL PARTS 300 SERIES CRES, COND. A, PER AMS-5640N, ASTM-A240, QQ-S-766, OR EQUIV.

1. REMOVE ALL BURRS AND SHARP CORNERS.

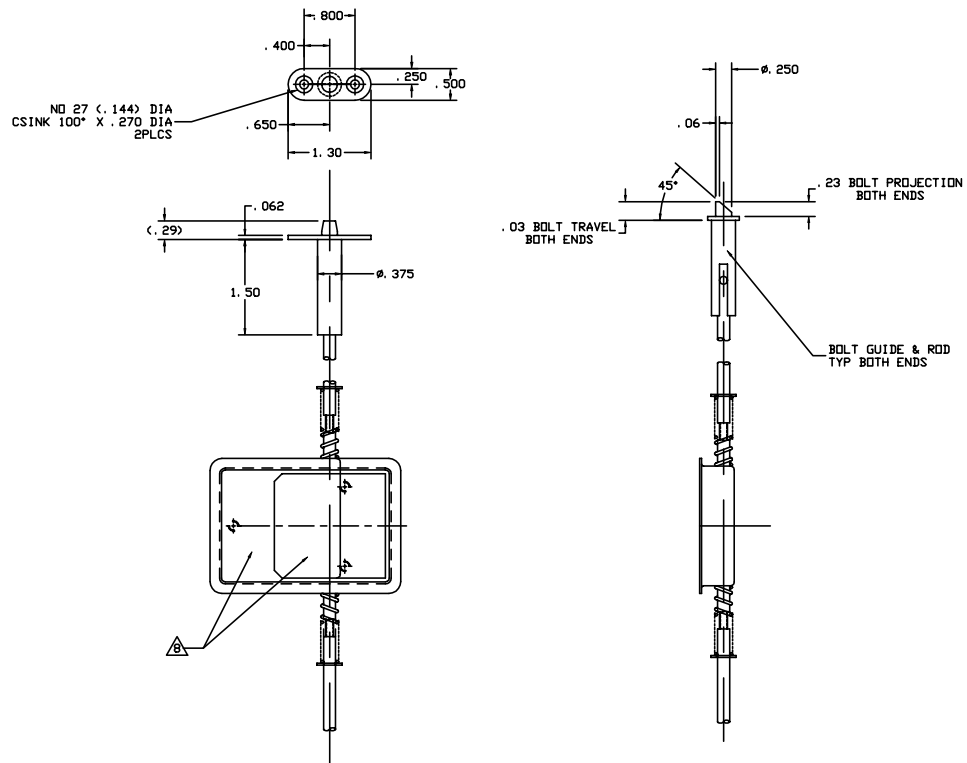
NOTES: UNLESS OTHERWISE SPECIFIED.

-11	LATCH ASSY	S/A -1 EXCEPT AS NOTED-SEE SHT. 2	
-9	LATCH ASSY	SAME AS -5 EXCEPT AS SHOWN ⊠/⊡	
-7	LATCH ASSY	SAME AS -5 EXCEPT AS SHOWN ⊠	
-5	LATCH ASSY	WITH DOUBLE RODS ⊠	
-3	LATCH ASSY	WITH SINGLE ROD ⊠	
-1	LATCH ASSY	BASIC LATCH WITHOUT RODS	
PART NO.	DESCRIPTION	MATERIAL SIZE SPECIFICATION	ITEM NO.


UNLESS OTHERWISE SPECIFIED		DRAWN BY	M. FOSTER	8/8/84	SKYLOCK INDUSTRIES INCORPORATED IRVINE, CALIFORNIA
DIMENSIONS ARE IN INCHES		CHECKED	DEAN VO	12/17/98	
TOLERANCES UNLESS OTHERWISE SPECIFIED		DESIGNED	T. CSIK	12/23/98	DOOR BOLTING SYSTEM
DECIMALS ANGLES DRILLED HOLES		DWG	P. MATSUOKA	1/6/99	
.0005 .001 .002 .005 .010 .015 .030 .040 .050 .060 .070 .080 .100 .125 .150 .200 .250 .300 .375 .450 .500 .625 .750 .875 1.000 1.250 1.500 2.000 2.500 3.000 4.000 5.000 6.000 8.000 10.000		REV	J. VIVIRITO	1/12/99	
DO NOT SCALE THIS DRAWING		USED ON			SIZE: D 51941 CODE IDENT. NO.: 20525 DRAWING NO.: B REV.: B
NEXT ASSY		MANUFACTURE IN ACCORDANCE WITH SKYLOCK IND. INC., QUALITY CONTROL MANUAL, QC 001		SCALE: 1:1	SHEET 1 OF 2

THE INFORMATION AND DESIGN HEREIN WAS ORIGINATED BY AND IS THE PROPERTY OF SOLDEX INDUSTRIES INCORPORATED. SOLDEX INDUSTRIES INCORPORATED RESERVES ALL PATENT, PROPRIETARY, DESIGN MANUFACTURING INFORMATION, USE AND SALES RIGHTS HEREIN, AND TO ANY ARTICLES DEVELOPED THEREIN EXCEPT TO THE EXTENT RIGHTS ARE EXPRESSLY GRANTED TO OTHERS. THE FOREGOING DOES NOT APPLY TO NON-PATENTABLE MATTER.

REVISIONS				
ZONE	LTR	DESCRIPTION	DATE	APPROVED
		SEE SHT 1 FOR NOTES		



-7, -9 (SAME AS -5 EXCEPT AS SHOWN)

 SOLDEX INDUSTRIES INCORPORATED IRVINE, CALIFORNIA			
DOOR BOLTING SYSTEM			
SIZE	CODE IDENT. NO.	DRAWING NO.	REV.
D	51941	20525	B
SCALE	1:1	1/2	SHEET 2 OF 2