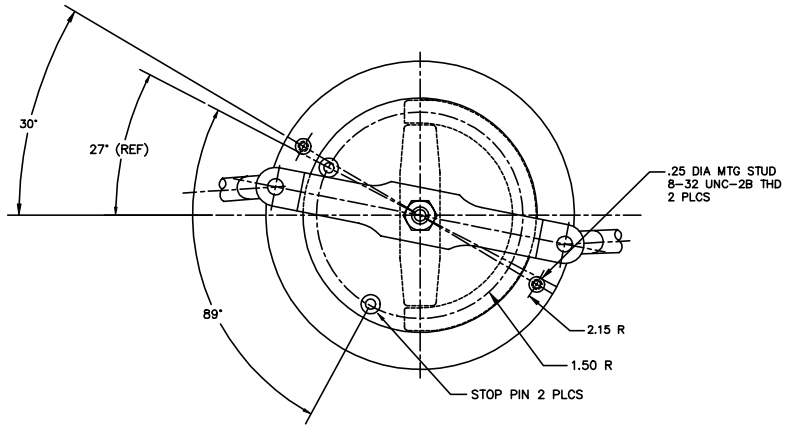
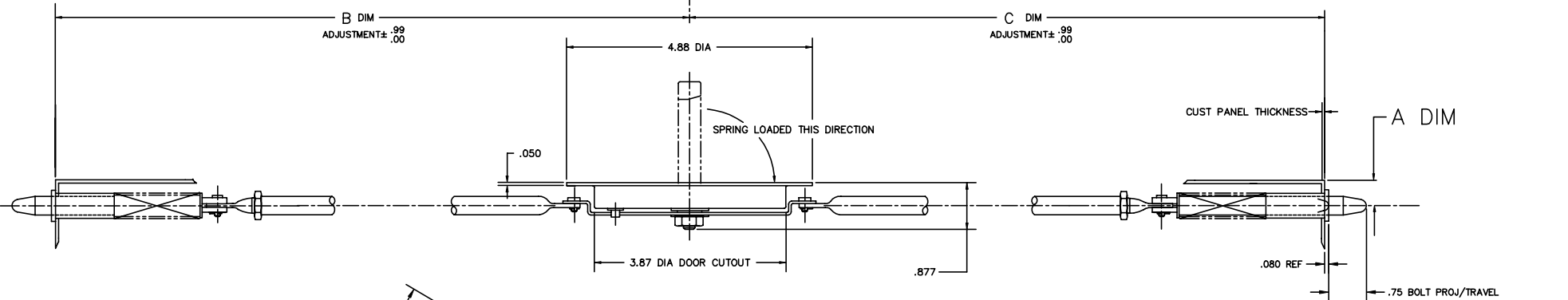
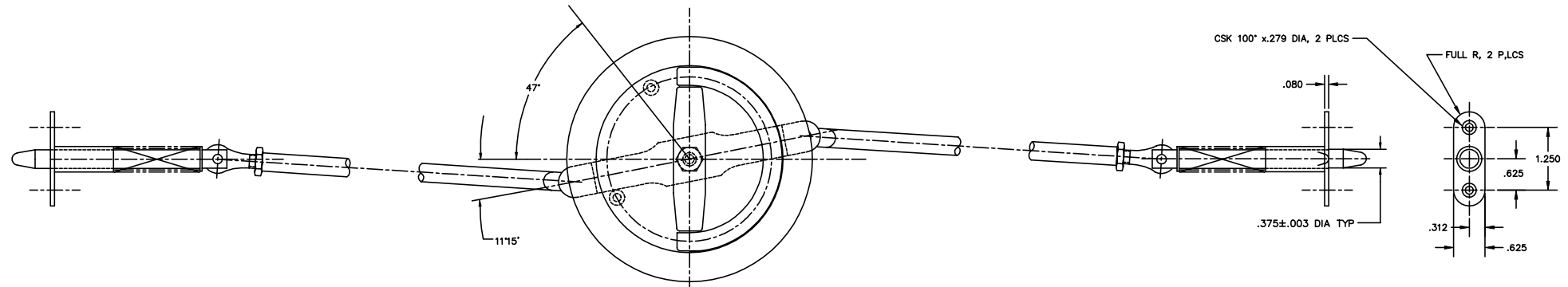


ALL INFORMATION AND DESIGN HEREIN ARE OWNED BY AND IS THE PROPERTY OF SKYLOCK INDUSTRIES INCORPORATED. NO PARTS OR INFORMATION HEREIN ARE TO BE REPRODUCED, COPIED, OR TRANSMITTED IN ANY FORM OR BY ANY MEANS, ELECTRONIC OR MECHANICAL, INCLUDING PHOTOCOPYING, RECORDING, OR BY ANY INFORMATION STORAGE AND RETRIEVAL SYSTEM, WITHOUT THE WRITTEN PERMISSION OF SKYLOCK INDUSTRIES INCORPORATED. THE INFORMATION CONTAINED HEREIN IS UNCLASSIFIED EXCEPT TO THE EXTENT INDICATED OTHERWISE. ALL RIGHTS ARE RESERVED. THE INFORMATION CONTAINED HEREIN IS UNCLASSIFIED EXCEPT TO THE EXTENT INDICATED OTHERWISE.

REVISIONS:				
ZONE	LR	DESCRIPTION	DATE	APPROVED
SEE SHT 1 FOR NOTES				



.92	-412	BOLTING SYS	CCW
.92	-411	BOLTING SYS	CW
.70	-410	BOLTING SYS	CCW
.70	-409	BOLTING SYS	CW
.36	-408	BOLTING SYS	CCW
.36	-407	BOLTING SYS	CW

A DIM		QTY REQD		PART / EDIT NO.		DESCRIPTION		MATERIAL / SPECIFICATION		ITEM NO.	
UNLESS OTHERWISE SPECIFIED: DIMENSIONS ARE IN INCHES											
TOLERANCES				DRAWN BY		S. CSIK		CONTRACT NO.			
FRACTIONS 1/16"				JOB #		51941		SKYLOCK INDUSTRIES INCORPORATED			
DECIMALS .0005"				JOB 1 AND		DO NOT SCALE DRAWING		MONROVIA, CALIFORNIA, USA			
NEXT ASST				DESIGN		S. CSIK		DOOR BOLTING SYSTEM			
FINAL ASST				DESIGN ACTIVITY		DLS		REV. B			
USED ON				CUSTOMER				SCALE NONE RELEASE DATE 7.26.90 SHEET 2 OF 2			