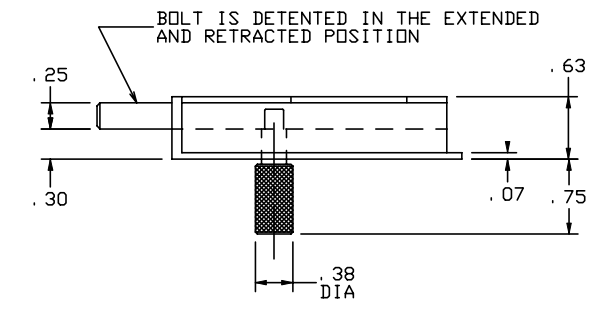
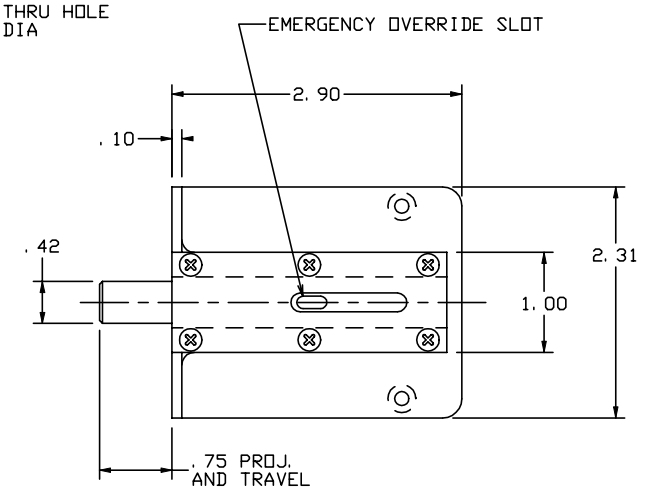
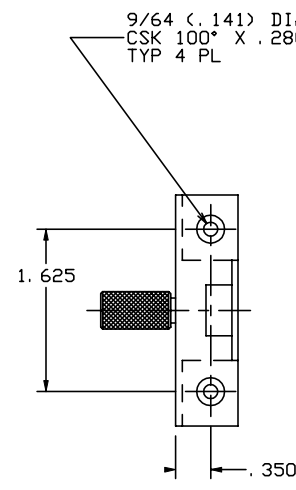
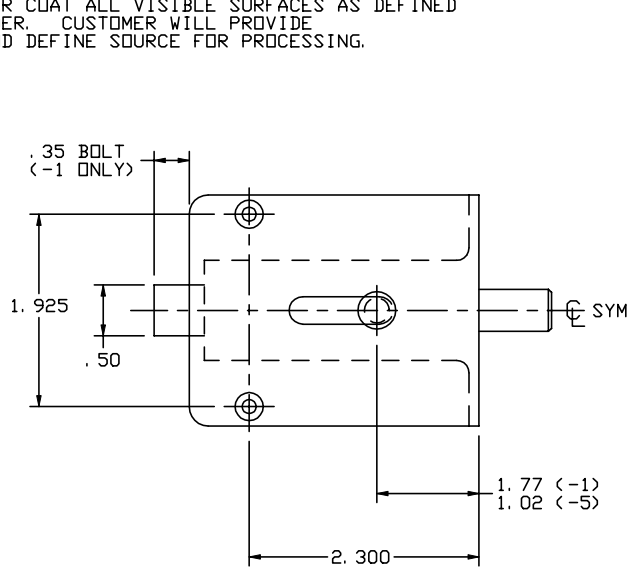


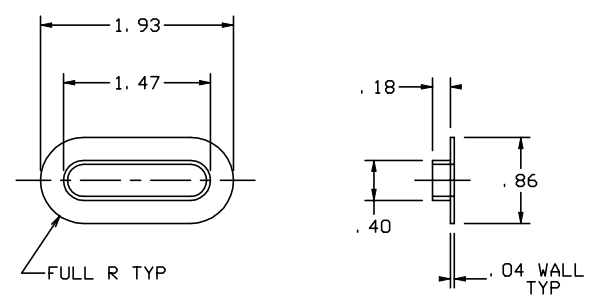
THE INFORMATION AND DESIGN HEREIN WAS ORIGINATED BY AND IS THE PROPERTY OF SKYLOCK INDUSTRIES INCORPORATED. SKYLOCK INDUSTRIES INCORPORATED RESERVES ALL PATENT, PROPRIETARY, DESIGN MANUFACTURING, REPRODUCTION, USE AND SALES RIGHTS THERE TO, AND TO ANY ARTICLE DISCLOSED THEREIN EXCEPT TO THE EXTENT RIGHTS ARE EXPRESSLY GRANTED TO OTHERS. THE FOREGOING DOES NOT APPLY TO VENDOR PROPRIETARY PARTS.

REVISIONS				
ZONE	LTR	DESCRIPTION	DATE	APPROVED
	NC	PRODUCTION RELEASE	8-19-97	T. CSIK
	A	ADDED -5, REVISED -1 PER CUST. REQUEST, REVISED NOTE 4	11-6-97	T. CSIK

- NOTES: UNLESS OTHERWISE SPECIFIED.
- REMOVE ALL BURRS AND BREAK SHARP CORNERS.
 - MAT'L: ALUM ALLOY - LATCH HOUSING, KNOB. DELRIN - BOLT
 - FINISH: ALUM ALLOY - CLEAR CHEM. FILM PER MIL-C-5541, GRADE C.
 - DECORATIVE FINISH: POWDER COAT ALL VISIBLE SURFACES AS DEFINED ON CUSTOMER PURCHASE ORDER. CUSTOMER WILL PROVIDE POWDER COAT MATERIAL, AND DEFINE SOURCE FOR PROCESSING.



-1 LATCH ASSY
-5 LATCH ASSY



-3 ESCUTCHEON

PART NO.	DESCRIPTION	QUANTITY	REVISION
-5	LATCH ASSY		
-3	ESCUTCHEON		
-1	LATCH ASSY		

PARTS LIST		UNLESS OTHERWISE SPECIFIED		DRAWN BY T. CSIK 8-19-97		SKYLOCK INDUSTRIES INCORPORATED MONROVIA CALIFORNIA U. S. A.	
DIMENSIONS ARE IN INCHES		CHECKED		ENGINEER		LATCH ASSY	
TOLERANCES ON		PROJECT		APPROVAL			
DECIMALS ANGLES DRILLED HOLES		APPROVAL		APPROVAL			
.X ± .1 ± 0° 30' AND 10387							
.XX ± .03							
.XXX ± .010							
DO NOT SCALE THIS DRAWING		MATERIAL - FINISH		USED ON		SIZE CODE IDENT. NO. DRAWING NO. REV.	
						C 51941 20947 A	
NEXT ASSY						SCALE 1:1 VT. SHEET 1 OF 1	
FINAL ASSY							